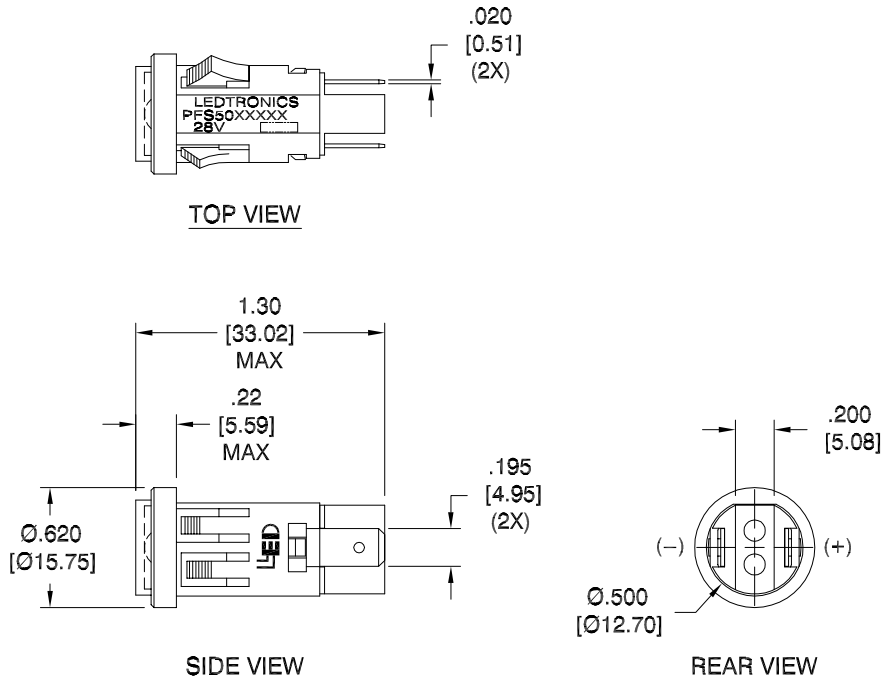


LTR	REVISION	DATE	APPD
B	050418-GP01: ADDED P/N's	05-10-18	GP



**NOTES:**

1. ALL DIMENSIONS ARE IN INCHES [MILLIMETERS].
2. MOUNTING DIAMETER: Ø1/2" (12.7mm)
3. LENS MATERIAL: GE LEXAN 101-112
4. SLEEVE MATERIAL / COLOR: NYLON 66 (UL94V-1 MIN / UL94V-0 PREF) / BLACK
5. HEADER MATERIAL / COLOR: NYLON 66 (UL94V-1 MIN / UL94V-0 PREF) / BLACK
6. TERMINAL MATERIAL: BRASS S.A.E. CA 360, FEDERAL QQ-B-626 ALLOY 360  
 FINISH: TIN PLATE MIL-T-10727 TYPE I, DULL FINISH, .0001-.00025 THICK.

REVISION NOTIFICATION	
<input type="checkbox"/>	DLC
<input type="checkbox"/>	UL/ETL
<input type="checkbox"/>	MADE IN USA
<input type="checkbox"/>	CUSTOMER _____
<input type="checkbox"/>	OTHER
REDLINE CHECKLIST	
<input type="checkbox"/>	REDLINE(YES)
<input type="checkbox"/>	DATE: _____
<input type="checkbox"/>	INITIATED BY: _____
<input type="checkbox"/>	ECR REQUIRED YES <input type="checkbox"/> NO <input type="checkbox"/>
<input type="checkbox"/>	WORK ORDER# _____

**ELECTRICAL-OPTICAL CHARACTERISTICS (Ta = 25°C)**

PFS50-0AG-028V-T	-	AQUA GREEN	24/28Vdc(@28Vdc)	0.015 A	-	520	180°
PFS50-0CW-028V-T	-	COOL WHITE	24/28Vdc(@28Vdc)	0.015 A	-	8000K	180°
PFS50-0UG-028V-T	-	SUPER GREEN	24/28Vdc(@28Vdc)	0.020 A	-	572	180°
PFS50-0UO-028V-T	-	SUPER ORANGE	24/28Vdc(@28Vdc)	0.020 A	-	613	180°
PFS50-0UR-028V-T	-	ULTRA RED	24/28Vdc(@28Vdc)	0.020 A	-	652	180°
PFS50-0UY-028V-T	-	SUPER YELLOW	24/28Vdc(@28Vdc)	0.020 A	-	595	180°
PFS50CG5-0002	PFS50CG5-28V-T	HI-EFF GREEN	24/28Vdc(@28Vdc)	0.020 A	0.145cd	563	180°
PFS50CR5-28V-T	-	HI-EFF RED	24/28Vdc(@28Vdc)	0.020 A	0.120cd	643	180°
PFS50CY5-28V-T	-	YELLOW	24/28Vdc(@28Vdc)	0.020 A	0.050cd	584	180°
LEDTRONICS PART NO.	DESCRIPTION PART NO.	COLOR EMITTED	INPUT VOLTAGE, V	CURRENT (A)	MAXIMUM CANDELA	λP nm COLOR TEMP. (K)	VIEWING ANGLE (FULL BEAM WIDTH @ 50% INTENSITY)

 LEDTRONICS,™ INC. 23105 KASHIWA COURT TORRANCE, CA 90505	-PROPRIETARY- This document contains Proprietary information of LEDTRONICS,™ INC. It may not be copied, used or disclosed for any purpose without the prior express written consent of LEDTRONICS,™ INC.		<b>TITLE</b> PFS50-0XX-028V-T PFS50CX5-28V-T			
	DWG NO	SCALE	SHEET	DATE		
	PFS50-28VDC-T	1:1	1 OF 1	05-28-10		
CODE IDENT NO.	DWG BY	CHK BY	QA EE	MFG LD	R&D KS	
8Z410	05-28-10		05-17-18	05-16-18	05-16-18	