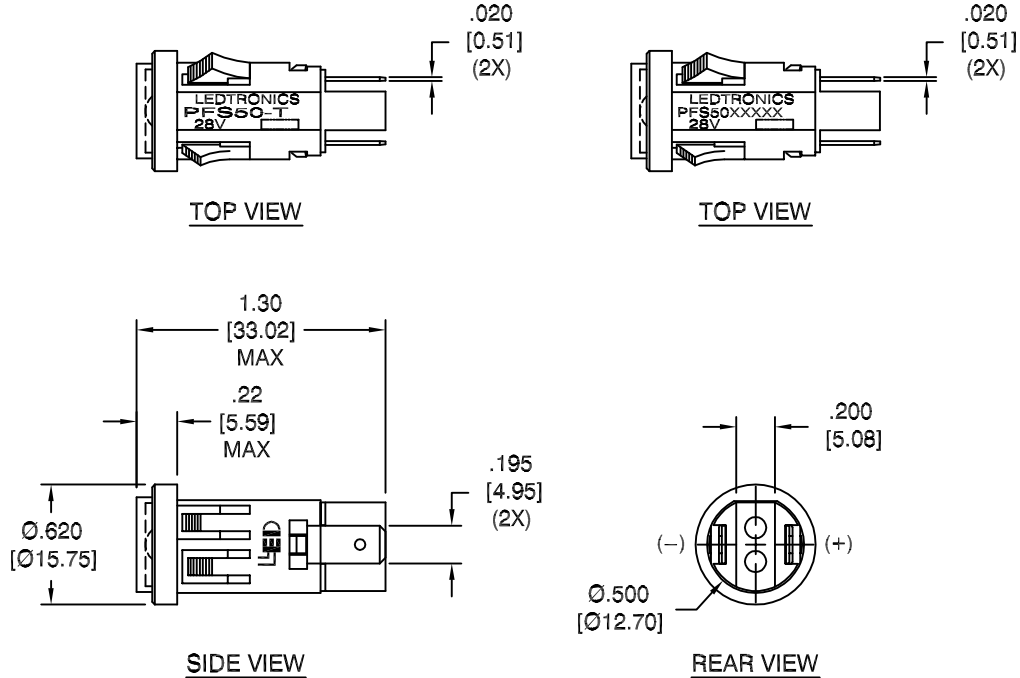


LTR	REVISION	DATE	APPD
C	092222-HF01: ADDED ALTERNATE MARKING	09-27-22	HF

ALTERNATE MARKING
(#7, #8 & #9)



NOTES:

1. ALL DIMENSIONS ARE IN INCHES [MILLIMETERS].
2. MOUNTING DIAMETER: Ø1/2" (12.7mm)
3. LENS MATERIAL: GE LEXAN 101-112
4. SLEEVE MATERIAL / COLOR: NYLON 66 (UL94V-1 MIN / UL94V-0 PREF) / BLACK
5. HEADER MATERIAL / COLOR: NYLON 66 (UL94V-1 MIN / UL94V-0 PREF) / BLACK
6. TERMINAL MATERIAL: BRASS S.A.E. CA 360, FEDERAL QQ-B-626 ALLOY 360
FINISH: TIN PLATE MIL-T-10727 TYPE I, DULL FINISH, .0001-.00025 THICK.

REVISION NOTIFICATION	
<input type="checkbox"/>	DLC
<input type="checkbox"/>	UL/ETL
<input type="checkbox"/>	MADE IN USA
<input type="checkbox"/>	CUSTOMER _____
<input type="checkbox"/>	OTHER
REDLINE CHECKLIST	
<input type="checkbox"/>	REDLINE(YES)
<input type="checkbox"/>	DATE: _____
<input type="checkbox"/>	INITIATED BY: _____
<input type="checkbox"/>	ECR REQUIRED YES <input type="checkbox"/> NO <input type="checkbox"/>
<input type="checkbox"/>	WORK ORDER# _____

ELECTRICAL-OPTICAL CHARACTERISTICS (Ta = 25°C)

1	PFS50-0AG-028V-T	-	AQUA GREEN	24/28Vdc(@28Vdc)	0.015 A	-	520	180°
2	PFS50-0CW-028V-T	-	COOL WHITE	24/28Vdc(@28Vdc)	0.015 A	-	8000K	180°
3	PFS50-0UG-028V-T	-	SUPER GREEN	24/28Vdc(@28Vdc)	0.020 A	-	572	180°
4	PFS50-0UO-028V-T	-	SUPER ORANGE	24/28Vdc(@28Vdc)	0.020 A	-	613	180°
5	PFS50-0UR-028V-T	-	ULTRA RED	24/28Vdc(@28Vdc)	0.020 A	-	652	180°
6	PFS50-0UY-028V-T	-	SUPER YELLOW	24/28Vdc(@28Vdc)	0.020 A	-	595	180°
7	PFS50CG5-0002	PFS50CG5-28V-T	HI-EFF GREEN	24/28Vdc(@28Vdc)	0.020 A	0.145cd	563	180°
8	PFS50CR5-28V-T	-	HI-EFF RED	24/28Vdc(@28Vdc)	0.020 A	0.120cd	643	180°
9	PFS50CY5-28V-T	-	YELLOW	24/28Vdc(@28Vdc)	0.020 A	0.050cd	584	180°
NO.	LEDTRONICS PART NO.	DESCRIPTION PART NO.	COLOR EMITTED	INPUT VOLTAGE, V	CURRENT (A)	MAXIMUM CANDELA	λP nm COLOR TEMP. (K)	VIEWING ANGLE (FULL BEAM WIDTH @ 50% INTENSITY)

<p>LEDTRONICS,™ INC. 23105 KASHIWA COURT TORRANCE, CA 90505</p>	<p>-PROPRIETARY- This document contains Proprietary information of LEDTRONICS, INC. It may not be copied, used or disclosed for any purpose without the prior express written consent of LEDTRONICS, INC.</p>		<p>TITLE PFS50-0XX-028V-T PFS50CX5-28V-T</p>										
	<p>.XXX ± .010 TOLERANCE PER ANSI-Y14.5 .XX ± .025 (UNLESS OTHERWISE STATED) ANGLES ± 0°,30' FRACT. ± 1/32</p>		<p>DWG NO PFS50-28VDC-T</p>	<p>SCALE 1:1</p>	<p>SHEET 1 OF 1</p>	<p>DATE 05-28-10</p>	<p>CODE IDENT NO. 8Z410</p>		<p>DWG BY MM 05-28-10</p>	<p>CHK BY</p>	<p>QA LUV 09-29-22</p>	<p>MFG LD 09-30-22</p>	<p>R&D LUV 09-29-22</p>