



S10 Starter in white canister



S2 Starter in white canister

Product Description

- Premium-quality glow switches range for igniting conventional electromagnetic fluorescent lamps
- 2-pin ignitor in plastic (flame-retardant polycarbonate) canister with radio-interference suppression capacitor
- S2 starters for ignition of low-voltage fluorescent TL lamps and series/single application in high voltage for lower wattages (4 - 22W)
- S10 starters for ignition of high voltage fluorescent TL lamps for wide range of wattages (4 - 65W)

Product Features

- 2-pin ignitor in plastic (flame-retardant polycarbonate) canister with radio-interference suppression capacitor
- S2 starters for ignition of low-voltage fluorescent TL lamps and series/single application in high voltage for lower wattages (4 - 22W)
- S10 starters for ignition of high voltage fluorescent TL lamps for wide range of wattages (4 - 65W)
- Premium reliability with less than 100 early failures per million (<100 p.p.m.)
- Do not contain hazardous radioactive isotopes for activating the glow switch
- Reliable starting behaviour and lifetime
- The shape of the canister is designed for a better grip while installing and replacing the starter.

Product Benefits

- Premium quality ensures trouble-free operation
- Low maintenance costs through extremely low early replacement levels
- Secure, safe and fast lamp ignition according to IEC 155 international standard
- Flame-retardant components for additional safety
- The world's only starters with no radioactive material inside the glow switch while maintaining high quality performance; patented technology avoids hazardous substances in the manufacturing and recycling phases
- Redesigned canister top for easy installation; either with a screwdriver or through improved grip

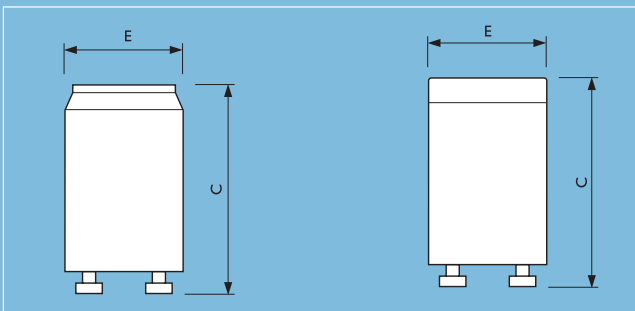
Application

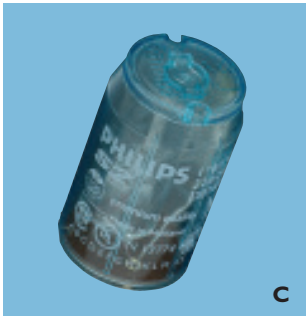
- Used in conventional electromagnetic fluorescent lamp systems
- S2 starters for LV applications and low-wattage HV applications (4 - 22W), both single and in series
- S10 starters for HV applications (4 - 65W) in single application
- S2 starters recommended for 18W HV single application
- Starter replacement recommended together with fluorescent lamp replacement
- For 220/240V~, 13W, single-application, the Philips S10 starter needs to be used.

www.lampsandgear.philips.com

Dim. no.	C max.	E max.
1	40.3	21.5
2	40.3	21.5

Dimensions in mm





S2 Starter in blue transparent canister



S10 Starter in blue transparent canister



Starter S2E BL



Starter S10E BL

Benefits Philips S2-E & S10-E electronic starters

- Up to 100.000 switches
- Flicker free ignition in 1.7 sec
- 25% increased lamplife
- Autostop function
- No blinking at end of lamp life
- No end blackening of lamps
- Build in protection circuit (fuse)
- Minimized maintenance costs

Benefits PHILIPS SIS10 reset starters

- 6000 switches guaranteed
- Switch off at EOL lamp (flickering lamps)
- Manual reset button

Preferred selection

Type	Packaging Configuration	Net weight per piece (g)	Dim. no.	Photo letter	System Description	Ambient Temperature min. (°C)
S2 4-22W SER 220-240V WH	10	8.00	1	A and C	Single+Series	-15
S2 4-22W SER 220-240V WH	12X25BOX	7.00	2	A and C	Single+Series	-15
S2 4-22W SER 220-240V WH	20X10BOX	7.00	2	A and C	Single+Series	-15
S2 4-22W SER 220-240V WH	20X25BOX	7.00	2	A and C	Single+Series	-15
S2 4-22W SER 220-240V WH	300	7.00	2	A and C	Single+Series	-15
S2 4-22W SER 220-240V WH	1000	7.00	2	A and C	Single+Series	-15
S2 4-22W SER 220-240V WH	1000	7.00	2	A and C	Single+Series	-15
S2E 18-22W SER 220-240V BL	10	6.00	3	E	Single+Series	-10
S2E 18-22W SER 220-240V BL	20X25BOX	6.00	3	E	Single+Series	-20
S10 4-65W SIN 220-240V WH	10	7.00	1	B and D	Single	-15
S10 4-65W SIN 220-240V WH	20X10BOX	7.00	1	B and D	Single	-15
S10 4-65W SIN 220-240V WH	20X25BOX	7.00	1	B and D	Single	-15
S10 4-65W SIN 220-240V WH	1000	7.00	1	B and D	Single	-15
S10 4-65W SIN 220-240V WH	1000	7.00	1	B and D	Single	-15
S10 4-65W SIN 220-240V WH	1X25BOX	7.00	1	B and D	Single	-15
S10 4-65W SIN 220-240V WH	1000	7.00	1	B and D	Single	-15
S10E 18-65W SIN 220-240V BL	10	6.00	3	F	Single	-10
S10E 30-65W SIN 220-240V BL	20X25BOX	6.00	3	F	Single	-20
SIS10 30-65W SIN 220-240V WH	20X10BOX	6.00	-	-	Single	-20

Type	Ambient Temperature max. (°C)	Capacitor	Peak Voltage min. (V)	Peak Voltage max. (V)	Non Reclosure Voltage min. (V)	EOC
S2 4-22W SER 220-240V WH	75	Yes	800	1350	70	8711500 991720 25
S2 4-22W SER 220-240V WH	75	Yes	800	1350	70	697509 33
S2 4-22W SER 220-240V WH	75	Yes	800	1350	70	697509 31
S2 4-22W SER 220-240V WH	75	Yes	800	1350	70	697509 26
S2 4-22W SER 220-240V WH	75	Yes	800	1350	70	697509 29
S2 4-22W SER 220-240V WH	75	Yes	800	1350	70	697509 28
S2 4-22W SER 220-240V WH	75	Yes	800	1350	70	698452 28
S2E 18-22W SER 220-240V BL	80	Yes	800	1350	70	698414 25
S2E 18-22W SINSER 220-240V BL	80	Yes	800	1350	70	764980 26
S10 4-65W SIN 220-240V WH	75	Yes	900	1150	140	991737 25
S10 4-65W SIN 220-240V WH	75	Yes	900	1150	140	697691 31
S10 4-65W SIN 220-240V WH	75	Yes	900	1150	140	697691 26
S10 4-65W SIN 220-240V WH	75	Yes	900	1150	140	697691 28
S10 4-65W SIN 220-240V WH	75	Yes	900	1150	140	698476 28
S10 4-65W SIN 220-240V WH	75	Yes	900	1150	140	697691 34
S10 4-65W SIN 220-240V WH	75	Yes	900	1150	140	697691 28
S10E 18-65W SIN 220-240V BL	80	Yes	900	1350	140	698438 25
S10E 30-65W SIN 220-240V BL	80	Yes	900	1350	140	764973 26
SIS10 30-65W SIN 220-240V WH	80	Yes	900	-	140	765178 31

