

Actinic BL PL-L Secura

Actinic BL PL-L 36W/10/4P SECURA



With an optimized spectrum matching the eye sensitivity of the housefly, Actinic BL PL-L Secura lamps are perfect for attracting insects. With the compact PL-L product format in a variety of wattages, new attractive designs are possible. Furthermore, these lamps have virtually no UV-B output, and so are perfectly safe. In addition, they have a special "Secura" sleeve that keeps all glass and components together in the case of accidental breakage. This eliminates the risk of glass splinters showering down on food preparation areas, for example. And that is why it meets the strict HACCP requirements. What's more, with the lowest mercury content in the industry and being 100% lead-free, these lamps represent a very good environmental choice.

Product data

• General Characteristics

Cap-Base	2G11
Cap-Base Information	4 Pins
Bulb	2xT16
Main Application	SECURA
Useful Life	2000 hr
Life to 50% failures	10000 hr
EM	

• Light Technical Characteristics

Color Code	10
Chromaticity Coordinate X	228 -
Chromaticity Coordinate Y	215 -
Depreciation 5000 hours	40 %
Depreciation 2000 hours	20 %

• Electrical Characteristics

Watts	36 W
Lamp Wattage Technical	36 W
Lamp Voltage	108 V
Lamp Current	0.440 A

• Environmental Characteristics

Mercury (Hg) Content	1.8 (nom), 2.0 (max) mg
----------------------	-------------------------

• UV-related Characteristics

UV-A Radiation	7.7 W
100hr (IEC)	

• Product Dimensions

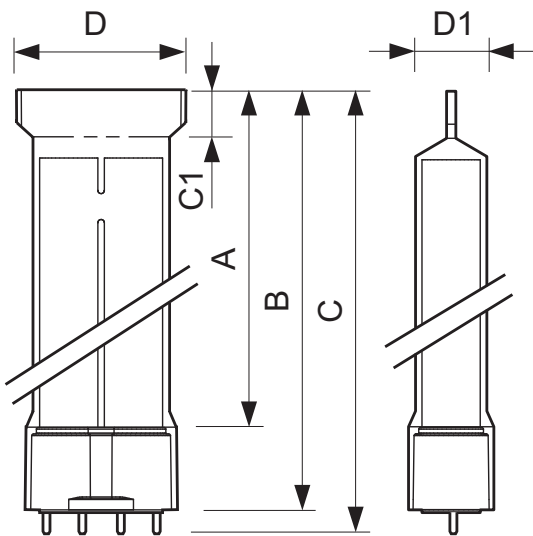
Base Face to Base Face A	404.2 (max) mm
Insertion Length B	430.0 (max) mm
Overall Length C	436.6 (max) mm
Diameter D	40 (max) mm
Diameter D1	27 (max) mm
Height C1	20.0 mm

• Product Data

Product number	285049
Full product name	Actinic BL PL-L 36W/10/4P SECURA 1CT
Short product name	PL-L 36W/10/4P SECURA 1CT/25
Pieces per Sku	1
eop_pck_cfg	25
Skus/Case	25
Bar code on pack	8718291194439
Bar code on case	8718291194446
Logistics code(s)	927909121001
eop_net_weight_pp	133.000 gr

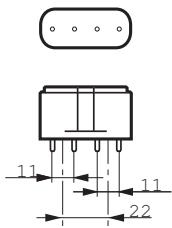
PHILIPS

Dimensional drawing



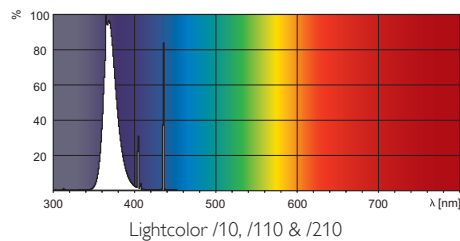
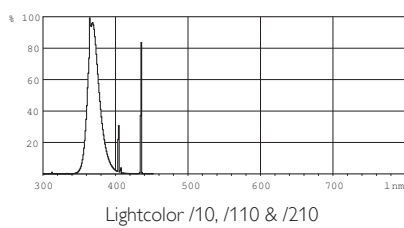
Actinic BL PL-L 36W/10/4P SECURA

Product	A (Max)	B (Max)	C (Max)	C1 (Norm)	D (Max)	D1 (Max)
PL-L 36W/10/4P SECURA	404.2	430.0	436.6	20.0	40	27



2G11

Photometric data



© 2014 Koninklijke Philips N.V. (Royal Philips)
All rights reserved.

Specifications are subject to change without notice. Trademarks are the property of Koninklijke Philips N.V. (Royal Philips) or their respective owners.

www.philips.com/lighting

2014, June 28
data subject to change