



DESCRIPTION

A long-lasting and highly efficient replacement for metal halide fixtures, use this wattage and color selectable LED canopy light to improve outdoor security lighting.

FEATURES

- Up to 157 LPW ultra-high efficiency delivers superior performance over older fixtures
- Replaces 50W, 150W, or 250W metal halide fixtures
- Lumen output varies depending on the wattage and color temperature selected; see Selectable Table for full breakdown
- Wattage and color temperature are adjusted via dip switches on the side of the fixture underneath clear plastic knockouts; see installation instructions for more information
- 0-10V dimming; see Compatible Dimmers section for full list of compatible dimmers

LISTINGS

- IP65 Rated
- UL Listed for wet locations
- IK10
- DesignLights Consortium® 5.1 Premium - meets the requirements for the highest DLC qualification for efficacy and lumen maintenance

PERFORMANCE

- CRI: >80
- CCT: 3000K, 4000K, 5000K
- LED L70 Life Hours: 160,000 hours
- BUG: B1-U3-G1, B1-U3-G2, or B1-U3-G3

ELECTRICAL

- THD: ≤20%
- Power Factor: ≥0.9
- Input Voltage: 120-277V
- Dimmable power supply (0-10V)
- Surge Protection: 4kV

THERMAL

- -22°F to 113°F (-30°C to 45°C) operating temperature

INSTALLATION

- Designed for pendant or surface mounting with J-box (not included); see installation instructions for more information

CONSTRUCTION

- Low-profile aluminum alloy housing with white finish
- PC lens

project name	type
catalog number	
comments	voltage
approved by	date



WARRANTY

- 5 year limited warranty; see pltsolutions.com for warranty details

APPLICATIONS

- Warehouses
- Factories
- Hospitals
- Hotels
- Offices

PERFORMANCE SUMMARY

Item #	Watts*	CCT	CRI	Lens	Dimming	Voltage	Replaces	BUG	DLC #	DLC Level
PLT-12486	10/ 15/ 20	3000K/ 4000K/ 5000K	>80	PC	0-10V	120-277V	MH50	B1-U3-G1	PLTSNM111141	5.1 Premium
PLT-12487	20/ 30/ 40	3000K/ 4000K/ 5000K	>80	PC	0-10V	120-277V	MH150	B1-U3-G2	PLTSNM211141	5.1 Premium
PLT-12488	40/ 60/ 70	3000K/ 4000K/ 5000K	>80	PC	0-10V	120-277V	MH250	B1-U3-G3	PLTSNM311141	5.1 Premium

* See Selectable Table for full breakdown

SELECTABLE TABLE

Item #	Wattage	CCT	Lumen	Efficacy
PLT-12486	10	3000K	1328	133
		4000K	1400	140
		5000K	1393	139
	15	3000K	1899	127
		4000K	2031	135
		5000K	2060	137
	20	3000K	2656	133
		4000K	2860	143
		5000K	2892	145
PLT-12487	20	3000K	2767	138
		4000K	2984	149
		5000K	3032	152
	30	3000K	4038	135
		4000K	4394	146
		5000K	4398	147
	40	3000K	5010	125
		4000K	5399	135
		5000K	5462	137
PLT-12488	40	3000K	5696	142
		4000K	6188	155
		5000K	6283	157
	60	3000K	7743	129
		4000K	8710	145
		5000K	8695	145
	75	3000K	9363	125
		4000K	9812	131
		5000K	9977	133

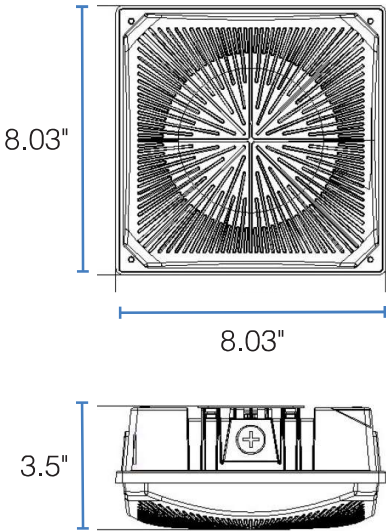
COMPATIBLE DIMMERS

Brand	Model
Legrand	RH4FBL3PTC
Leviton	IP710-DLZ
Leviton	DS710-10Z
Lutron	NTSTV-DV-WH
Lutron	NFTV-WH
Lutron	DVSTV-WH

DIMENSIONS

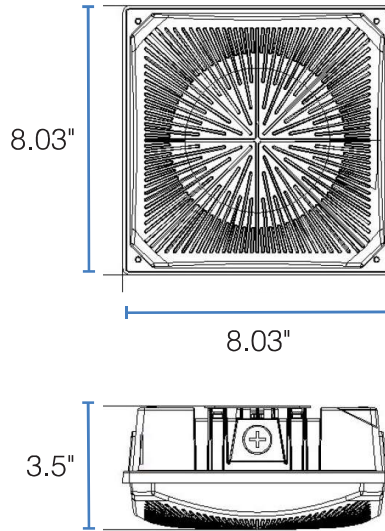
PLT-12486 DIMENSIONS:

Length: 8.03"
Height: 3.5"
Width: 8.03"
Weight: 2.98 lbs



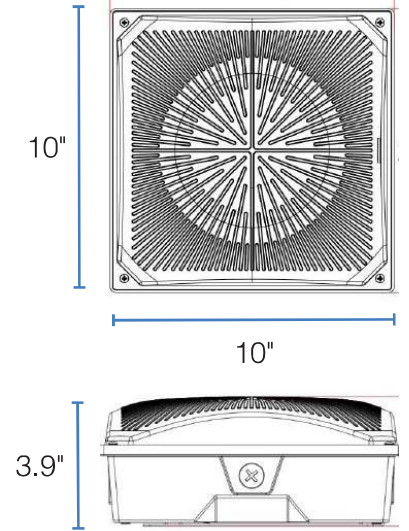
PLT-12487 DIMENSIONS

Length: 8.03"
Height: 3.5"
Width: 8.03"
Weight: 3.9 lb



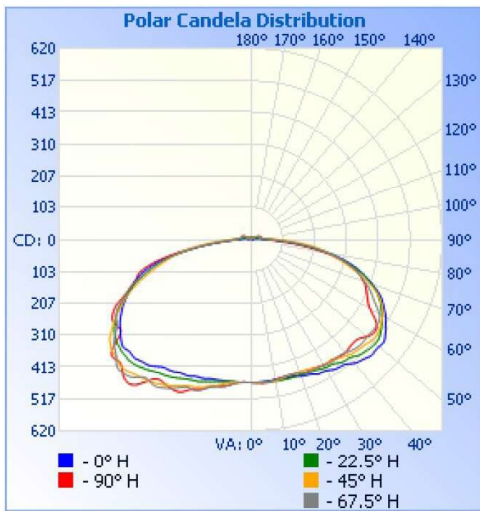
PLT-12488 DIMENSIONS:

Length: 10"
Height: 3.9"
Width: 10"
Weight: 6.26 lbs

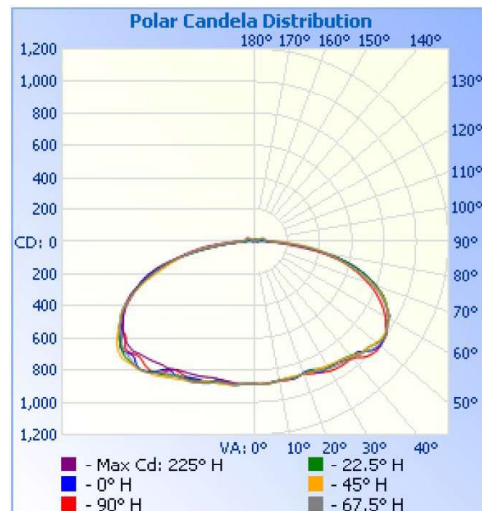


PHOTOMETRICS

PLT-12486 PHOTOMETRICS:



PLT-12487 PHOTOMETRICS:



PLT-12488 PHOTOMETRICS:

