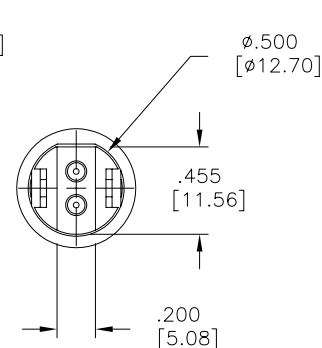
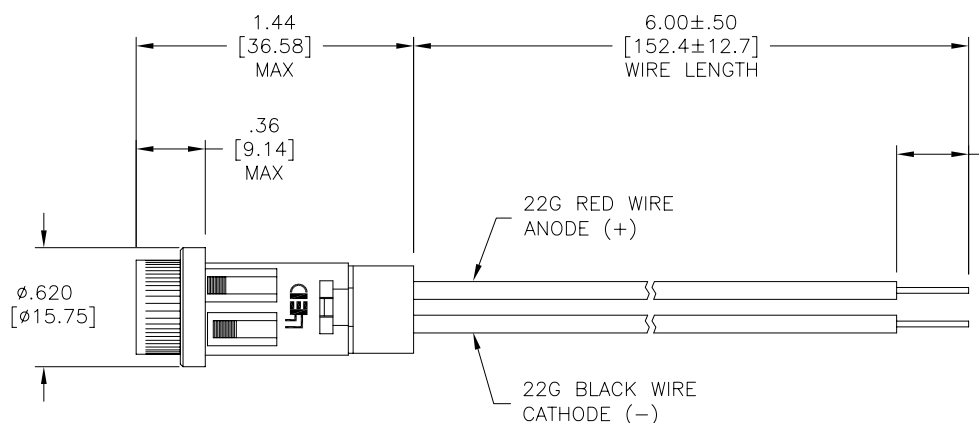
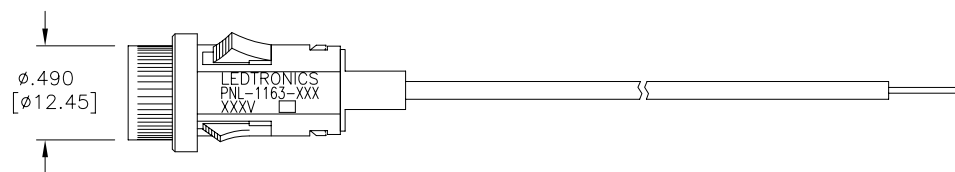


LTR	REVISION	DATE	APPD
B	111411-MM01:ADDED -2UY, -2UG & -2UR	11-14-11	MM



**NOTES:**

1. ALL DIMS ARE IN INCHES [MILLIMETERS].
2. LENS MATERIAL: LEXAN 101-112
3. SLEEVE MATERIAL: BLACK, NYLON 66 (UL94V-1 MIN / UL94V-0 PREF)
4. HEADER MATERIAL: BLACK, NYLON 66 (UL94V-1 MIN / UL94V-0 PREF)

PNL-1163-0UR	ULTRA RED	24V	5.5-8.5	660	-	180°
PNL-1163-0UY	SUPER YELLOW	24V	5.5-8.5	595	-	180°
PNL-1163-0UG	SUPER GREEN	24V	5.5-8.5	570	-	180°
PNL-1163-1UR	ULTRA RED	120VAC	6-8	660	450	180°
PNL-1163-1UY	SUPER YELLOW	120VAC	6-8	595	900	180°
PNL-1163-1UG	SUPER GREEN	120VAC	6-8	570	-	180°
PNL-1163-2UR	ULTRA RED	240VAC	1-2	660	-	180°
PNL-1163-2UY	SUPER YELLOW	240VAC	1-2	595	-	180°
PNL-1163-2UG	SUPER GREEN	240VAC	1-2	570	-	180°
LEDTRONICS PART NO.	COLOR EMITTED	SET VOLTS	READ mA typ.	λ P nm	lv mod typ.	FULL VIEWING ANGLE
		ELECTRICAL TEST				



REVISION NOTIFICATION			
<input type="checkbox"/>	PMA	<input type="checkbox"/>	UL
<input type="checkbox"/>	MADE IN USA	<input checked="" type="checkbox"/>	CUSTOMER _____ EMSCO
<input type="checkbox"/>	OTHER		

**LED**<sup>®</sup>  
**LEDTRONICS,™** INC.  
 23105 KASHIWA COURT  
 TORRANCE, CA 90505

**-PROPRIETARY-**  
 This document contains Proprietary information of LEDTRONICS, INC. It may not be copied, used or disclosed for any purpose without the prior express written consent of LEDTRONICS, INC.

.XXX ± .010 TOLERANCE PER ANSI-Y14.5  
 .XX ± .025 (UNLESS OTHERWISE STATED)  
 ANGLES ± 0',30'  
 FRACT. ± 1/32

TITLE			
<b>PNL-1163-XXX</b>			
DWG NO	SCALE	SHEET	DATE
N1163001	1:1	1 OF 1	12-22-09
CODE IDENT NO.	DWG BY	CHK BY	QA RD
8Z410	MM 12-22-09		11-14-11
	MFG	R&D	BJ
			11-14-11