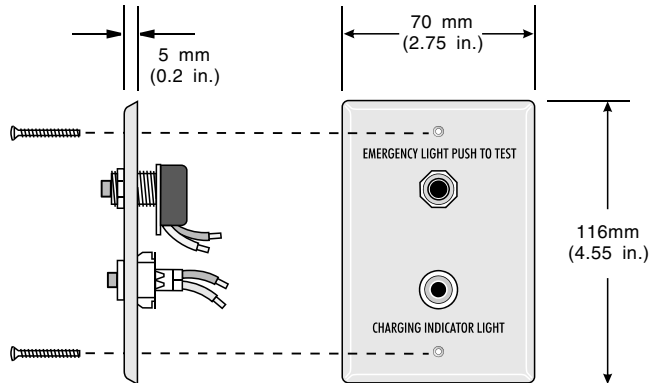


Test/Monitor Wall Plate Assembly-SP



Model No.

- > PL-SP
- > Item # PRT00003

Description

- > Single-pole test switch rated 3A @ 277 VAC (6A @ 125 VAC) & LED indicator light on wall plate

Comments/Application

- > For remote installation of the test switch: next to fixture, on wall, in maintenance room, etc. (maximum distance: 50 feet)
- > Can be used with emergency ballasts normally supplied with a single-pole test switch
- > Fits single gang box (not supplied)

This Product Is For Use With Philips Bodine Products Only

L1000027

03/07/14 © Philips Emergency Lighting
P.O. Box 460 Collierville, TN USA 38027-0460
Sales 800-223-5728 FAX 901-853-5009
Tech. Support 888-263-4638
www.philips.com/bodine