

DIN Rail Mount Power Supply



DESCRIPTION

The Leviton Rail Mount Power Supply can be used as a low-wattage power supply to power products requiring +24Vdc power. Terminals are provided for both isolation and simple connection to both line and low voltage. The DIN Rail Mount Power Supply may be mounted to a DIN rail in an enclosure or in the back-box when used with a 7" Sapphire™ Touch Screen.

FEATURES

- Evaluated to NEC NFPA70, class 2 output
- Class II double insulation
- May be installed in a back-box when used with 7" Sapphire Touch-Screen

PRODUCT SPECIFICATIONS

ELECTRICAL

- +24VDC, 1.25A, 30W
- Wide Range AC Input 30W 100-277VAC
- Input: 100-277VAC 50/60HZ, 1.5A Max
- DC Input Voltage Range: 120-370VDC
- Max Inrush Current: 65A at 230VAC, cold start, 77°F (25°C) ambient
- LED Indicators: Green LED = ON, Red LED = DC Output Low
- Voltage Output Adjustment: 24-28VDC

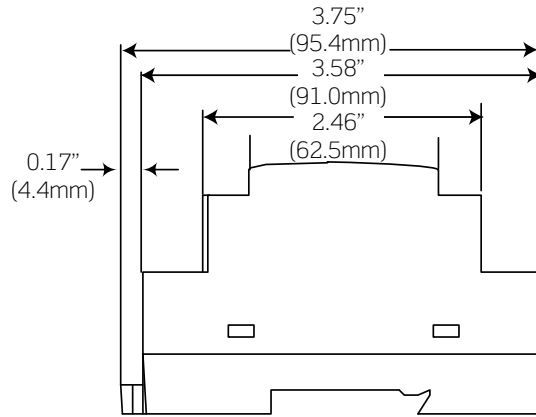
LISTINGS

- UL, cUL, CE, UL 1310, Class 2
- CE Immunity - EN61000 -4-2,-3,-4,-5,-6,-8, -11
- CE Conducted and Radiated EMI - EN550022 Class A

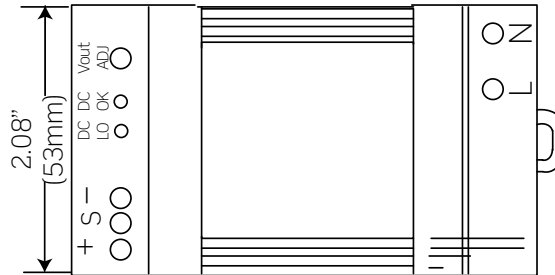
ENVIRONMENTAL

- Operating Temperature Range: -13 to 159°F (-25 to 70°C)
- Derate linearly 2.5% per degree from 141 to 159°F (61 to 71°C)
- Storage Temperature: -13 to 185°F (-25 to 85°C)
- Operating Humidity: 20-90% RH (non-condensing)
- MTBF: >100,000 hours
- Weight: 0.44lb/200g

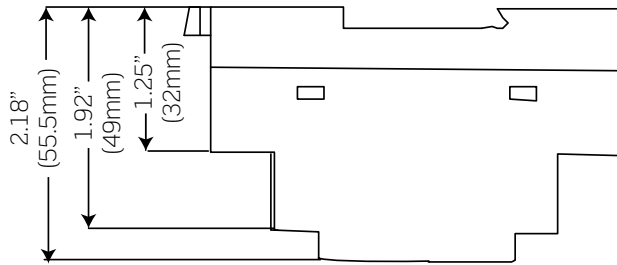
DIMENSIONS



Side View



Top View



Side View

ORDERING INFORMATION

CAT. NO.	DESCRIPTION
PST24-I10	+24VDC, 1.25A, 30W 100-277VAC Input DIN Rail Power Supply UL, cUL, & CE. Terminals on input and output.

Leviton Manufacturing Co., Inc. Energy Management, Controls and Automation

20497 SW Teton Avenue, Tualatin, OR 97062 tel 503-404-5500 fax 503-404-5600
 tech line (8:30AM-7:30PM ET Monday-Friday) 800-824-3005

Leviton Manufacturing Co., Inc. Global Headquarters

201 North Service Road, Melville, NY 11747-3138 tel 800-323-8920 fax 800-832-9538
 tech line (8:30AM-7:00PM ET Monday-Friday) 800-824-3005

Visit our website at: www.leviton.com/architecturalcontrols

© 2017 Leviton Manufacturing Co. Inc. All rights reserved. Subject to change without notice.