

REVISIONS		
REV	DESCRIPTION	DATE
A0	RELEASE FOR PRODUCTION	01/16/2025

SAFETY STANDARDS COMPLIANCE:
 EN61347-1, EN61347-2-13
 ANSI C82.77-10-2014
 UL1310, CLASS 2
 UL8750

SAFETY CERTIFICATIONS
 UL, cUL E357847
 LVD pending
 EMC dir pending

EMI STANDARDS:
 FCC 47 CFR PART 15 CLASS B
 EN55015, EN61000, EN61547

SAFETY

INPUT RANGE:
 110 - 277 VAC,
 1.10-0.43 A @ FULL LOAD.

FREQUENCY: 50 / 60 Hz.

EFFICIENCY: 80 % Typ.

PEAK INRUSH:
 9A, 5.8µsec, 4.18x10⁴ A²sec @120Vac
 27A, 5.6µsec, 40.0x10⁴ A²sec @277Vac

THD: <20%.

POWER FACTOR: >0.9

LEAKAGE CURRENT:
 < 0.5mA @277VAC

Surge Immunity: 4KVac

INPUT

LOAD CAPACITY: 100 WATTS

OUTPUT	MIN	MAX	LOAD REG	MAX. RIP
+19V	2.7 AMPS	5.0 AMPS	+5%/-5%	120mV p/p

OUTPUT

COOLING: CONVECTION

NOISE LEVEL: 24 dB @ 1Fl.

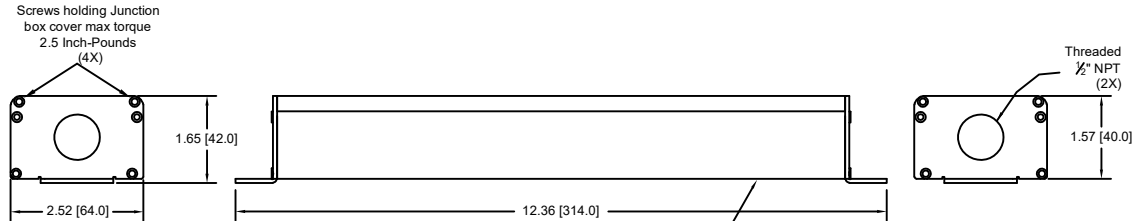
RELIABILITY (MTBF): (MIL-HDBK-217E)
 50,000 HRS. @ 25 DEG. C @ FULL LOAD

ENVIRONMENTAL CONDITIONS:
 LOWEST OPERATING TEMPERATURE: -40°C: Tc=90°C
 RELATIVE HUMIDITY: 5 ~ 95%
 FOR DRY AND DAMP LOCATIONS

CONNECTOR:
 N/A

MISCELLANEOUS

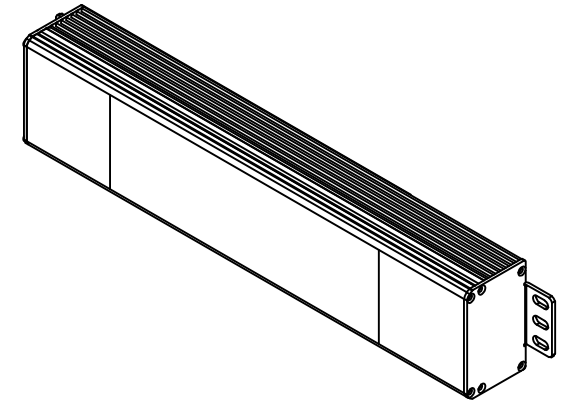
PF, THD AND EFFICIENCY CALCULATIONS ARE BASED ON THE LOADING OF THE DRIVER TO MINIMUM 65% AND MAXIMUM 100% OF 100W



LABEL AT THE BOTTOM

SIM

Based model: Q2-U24-LP(PN20-5744) will turn to PN#E26-011 with dim to off feature



GRN(YLW)FG	AC INPUT	MAGTECH	Magtech Industries Corp www.magtechind.com		UL LISTED LED DRIVER E357847 Type HL Class P	DC OUTPUT LED+(RED) LED-(BLACK)
			LED Driver, Isolated Class 2 output			
MODEL: Q2-U24-LP						
INPUT: 110-277VAC, 1.10-0.43A, 50/60Hz						
DC OUTPUT: 19V / 5.0A, 100W max						
P/N: 20-5744 REV: A						
Suitable for Dry and Damp Locations Only						
Made in China						
0418000001						

CAUTION!
AC INPUT

CAUTION Label
12*20mm

CON	PIN	COLOR	OUTPUT	AWG	LENGTH
AC IN	---	GRN/YLW	FG	18	6.5 [165] ±0.5 [±13]
	---	BLACK	LINE	18	
	---	WHITE	NEUTRAL	18	
DC OUT	---	RED	+V	18	
	---	BLACK	GND	18	

Notes:

- 1.- 5 yrs warr provided Tc point remains below 75°C
- 2.- Transformer - Class 130 (B), Insulation system
- 3.- Add installation instruction sheet (P/N 77-0130) inside of each individual box
- 4.- Driver UL Listed, Type HL, Class P
- 5.- Protection: OTP, OCP, SCP, OVP, AUTO-RECOVERY

MANUFACTURED BY:

THIS ITEM IS THE PROPERTY OF MAGTECH INDUSTRIES AND CONTAINS PROPRIETARY CONFIDENTIAL AND TRADE SECRET INFORMATION. THE INFORMATION CONTAINED HEREIN MUST NOT BE USED, DISCLOSED OR REPRODUCED IN WHOLE OR IN PART WITHOUT PRIOR WRITTEN CONSENT FROM MAGTECH IND.					
UNLESS OTHERWISE SPECIFIED DIMENSIONS IN INCHES (MM)		MAGTECH			
TOLERANCES:		TITLE: Q2-U24-LP, 110-277VAC, 19V, 5.0A, NON-DIM			
.X DECIMALS± .05 [1.3]		DO NOT SCALE THIS DRAWING			
.XX DECIMALS± .02 [0.5]					
.XXX DECIMALS± .005 [0.13]					
ANGLES± 1°		APPROVAL DATE: xx/xx/xxxx		MODEL NO. Q2-U24-LP	
FRACTIONS± 1/16		EFFECTIVE DATE: 01/16/2025		DWG NO. M20-5744	
INTERPRET DRAWING PER ANSI Y14.5M				REV. A0 SH OF 1 1	