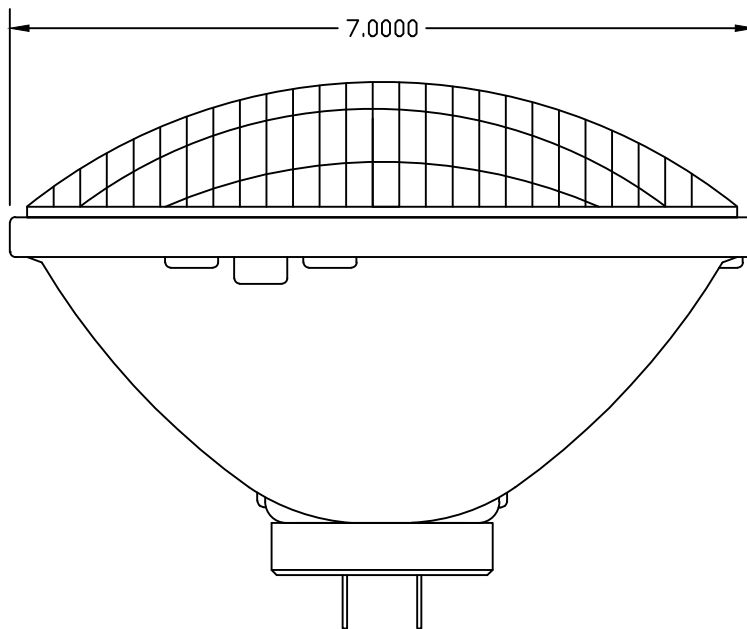


Q6.6A/PAR56/4



Part Number

AL-006-0039

NSN

Power Rating

200 Watts

Current

6.6A

Reflector

2 Ferrule PAR56

Lens

Medium Flood (MFL)

Base

Mogul End prong

Life

600 Hours

Initial Lumens