

REVISIONS		
REV	DESCRIPTION	DATE
B1	CHANGED PER ECN 24-001	05/03/2024
B0	CHANGED PER ECN 21-007	01/01/2022
A1	CHANGED PER ECN 20-006	10/06/2020

SAFETY STANDARDS COMPLIANCE:
UL8750
UL1310

LVD EN61347-2-13
EMI STANDARDS:
FCC 47 CFR PART 15 CLASS B
CE EN55015, EN61547
EN61000-4-2,3,4,5,6,8,11

SAFETY CERTIFICATIONS
UL E357847
cUL E357847
LVD
N/A
EMC DIRECTIVE
N/A

SAFETY

INPUT RANGE:
110 - 277 VAC
0.86 - 0.34 A @ FULL LOAD.

FREQUENCY: 50 / 60 Hz. POWER FACTOR: >0.9
EFFICIENCY: 85 % Typ. LEAKAGE CURRENT:
PEAK INRUSH: 0.5mA Max.

6 AMPS @ 110V AC
23 AMPS @ 277V AC

INPUT

LOAD CAPACITY: 80 WATTS

OUTPUT	MIN	MAX	LOAD REG	MAX. RIP
1730mA	28 Volts	46 Volts	±5%	60% Pk-Pk

OUTPUT

COOLING: CONVECTION **PROTECTION:**
NOISE LEVEL: 0 dB OCP,SCP,OLP,OVP
AUTO-RECOVERY

RELIABILITY (MTBF): (MIL-HDBK-217E)
100,000 HRS. @ 25 °C @ FULL LOAD

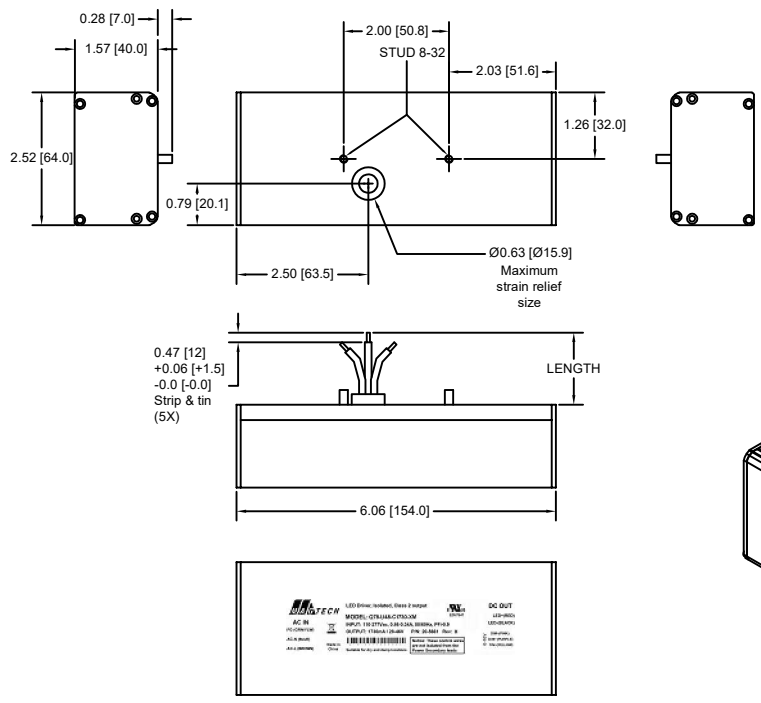
ENVIRONMENTAL CONDITIONS:
OPERATING TEMPERATURE: -20 ~ 50°C
RELATIVE HUMIDITY: 5 ~ 95% (NON CONDENSING)
LOCATION: DRY AND DAMP USE ONLY

CONNECTOR:
N/A

MISCELLANEOUS

PF, THD AND EFFICIENCY CALCULATIONS ARE BASED ON THE LOADING OF THE DRIVER TO MINIMUM 65% AND MAXIMUM 100% OF 80W

- Notes:
- 1.- 5 yrs warr provided to point remains below 75°C
 - 2.- Bar code defined by drawing 77-0120.
 - 3.- Transformer – Rated Class 130 (B) insulation system
 - 4.- Dimming: 0-10V Dimming, driver will dim to off
 - 5.- The COB is BridgeLux BXRC-30E10K0-D-7
 - 6.- Max Ripple Current Pk-Pk 60%
 - 7.- DC output and AC input wires use UL1015/600V type
Control wires use UL1007/300V type
 - 8.- Drivers comply with UL8750 Supplement SF



AC IN
FG (GRN/YLW)
AC-N (BLUE)
AC-L (BROWN)

Made in China

LED Driver, Isolated, Class 2 output

MODEL: Q78-U48-C1730-XM

INPUT: 110-277Vac, 0.86-0.34A, 50/60Hz, PF>0.9

OUTPUT: 1730mA / 28-46V P/N: 20-5661 Rev: B

Suitable for dry and damp locations

DC OUT
LED+(RED)
LED-(BLACK)
DIM-(PINK)
DIM+(PURPLE)
10V+(YELLOW)

CON	PIN	COLOR	OUTPUT	AWG	LENGTH
AC IN	---	(GRN/YLW)	FG	18	6.5 [165] ±0.5 [±13]
	---	BROWN	LINE	18	
	---	BLUE	NEUTRAL	18	
DC OUT	---	RED	+V	18	
	---	BLACK	GND	18	
DIM CNTL	---	YELLOW	+10V OUT	20	
	---	PURPLE	DIM+	20	
---	PINK	DIM-	20		

MANUFACTURED BY: ES

THIS ITEM IS THE PROPERTY OF MAGTECH INDUSTRIES AND CONTAINS PROPRIETARY CONFIDENTIAL AND TRADE SECRET INFORMATION. THE INFORMATION CONTAINED HEREIN MUST NOT BE USED, DISCLOSED OR REPRODUCED IN WHOLE OR IN PART WITHOUT PRIOR WRITTEN CONSENT FROM MAGTECH IND.

UNLESS OTHERWISE SPECIFIED DIMENSIONS IN INCHES (MM) TOLERANCES: .X DECIMALS± .05 (1.3) .XX DECIMALS± .02 (0.5) .XXX DECIMALS± .005 (0.13) ANGLES± 1° FRACTIONS± 1/16	QC:		
TITLE: Q78-U48-C1730-XM, CN-0197, 110-277VAC, 1730mA, 28-46V, STUD			
DO NOT SCALE THIS DRAWING INTERPRET DRAWING PER ANSI Y14.5M	APPROVAL DATE: 02/07/2017	MODEL NO: Q78-U48-C1730-XM	DWG NO: M20-5661
	EFFECTIVE DATE: 02/07/2017	REV. B1	SH OF 1 1

FORM PF-0004