

SUPERIOR 60 W, 12 VDC POWER SUPPLY (100-277VAC)



Superior Series

Specifications

SKU.....H60W-SD-12
 Warranty.....10-year product/5-year limited labor

Performance

Input voltage.....100~277 VAC
 Input current.....0.8A/110 VAC | 0.3A/277VAC
 Input frequency.....50~60 Hz
 Efficiency.....≥ 86%
 Power factor.....≥ 0.95
 Power input.....0.8 A max.
 Output voltage.....DC 12V ±2.5%
 Output current.....5 A
 Output power.....60 W

Safety

Protective characteristics.....Over-current/short-circuit/
 over-voltage/over-temperature
 Safety rating.....IP68, Class 2
 Dielectric Strength (Hi-Pot).....I/P-O/P 3KVac/10mA/60S
 I/P-Case 1.8KVac/10mA/60S
 Insulation Resistance.....100MOhm Max/500Vdc/3S
 Grounding Resistance.....<0.1ohm
 EMC.....FCC part 15 class B EN55015

**High performance superior
power supply**



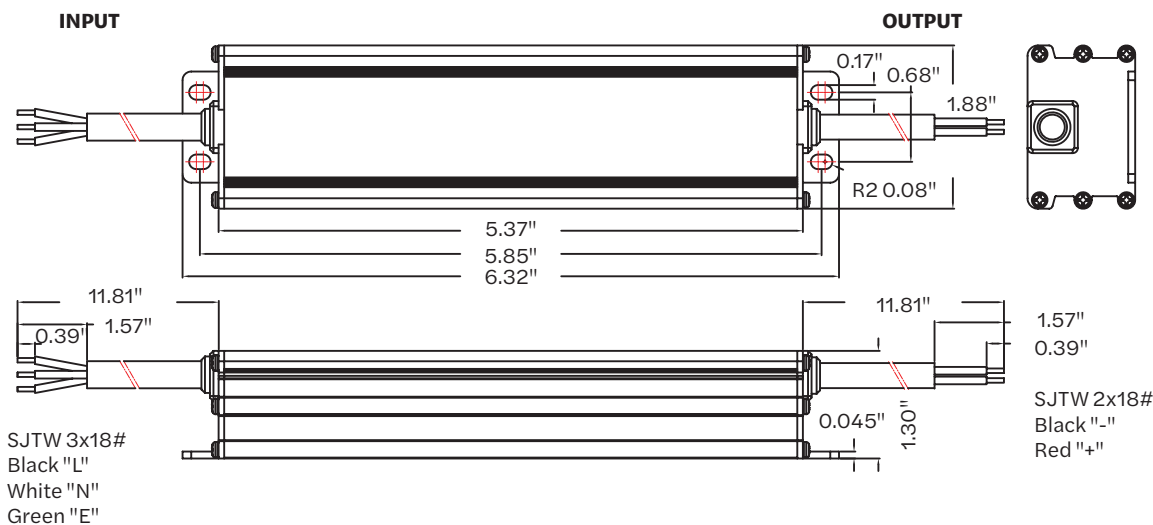
**UL Retrofit Kit
Classified**

Environmental

Operating temperature.....-40°~+60° C
 Storage temperature.....-40°~+85° C
 Relative humidity.....20~95% RH, non-cond.
 Vibration.....10 ~ 500HZ, 5G, 30 minutes
 (for X, Y, Z each axis)



Dimensions



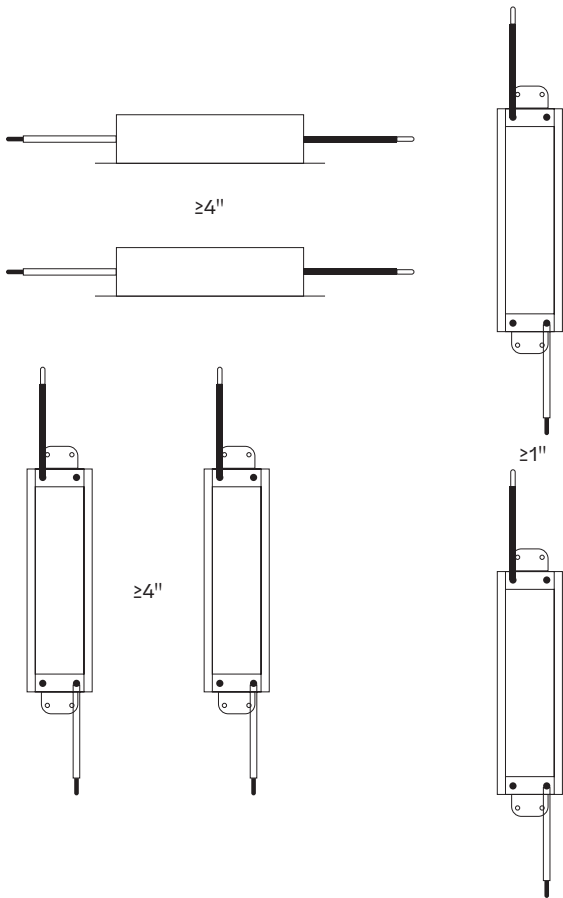
Specifications subject to change without notice.

SUPERIOR 60 W, 12 VDC POWER SUPPLY (100-277VAC)



Superior Series

Spacing Between Power Supplies



- Ensure that the ground wire is properly grounded and ensure it does not come into contact with the neutral wire.
- Ensure the power supply position has sufficient airflow.
- Operating temperature must be between -40°C to $+60^{\circ}\text{C}$.
- Do not overload the power supply with multiple appliances.
- Power supply operates at high temperature.
To avoid injury, do not touch while in use.
- Do not install with power connected or during an electrical disturbance.
- Do not attempt to install by yourself.
Please contact the supplier with any questions.
- Please read and follow the instructions carefully before installing.
Ensure all contact points are in good working order.
- Please pay attention to the environment, and check for any unsafe conditions.

UL 48 Standard requires spacing between LED power supplies shall be at least 1 inch from end to end and 4 inches from side to side. This is to ensure adequate heat dissipation. Greater spacing may be required when heat ventilation in the sign or power supply enclosure is not adequate.

Recommended drivers per enclosure:

- 60 W = 2 max
- 100 W = 1 max
- 96 W = 1 max
- 120 W = 1 max
- 150 W = 1 max
- 180 W = 1 max
- 192 W = 1 max
- 240 W = 1 max

principalsloan.com
325.227.4577
3490 Venture Dr., San Angelo, TX 76905

