

ENERGIZER SERIES UNIVERSAL 60 W, 12 VDC POWER SUPPLY



Specifications

SKU P-OH060-12-EC
 Warranty 10-year product/5-year labor

Performance

Input voltage 90~305 VAC
 Input current Max. 1.35 A
 Input frequency 47~63 Hz
 Power factor ≥ 0.5
 Output voltage DC 12V $\pm 4\%$
 Output current 0-5 A
 Output power 60 W

Safety

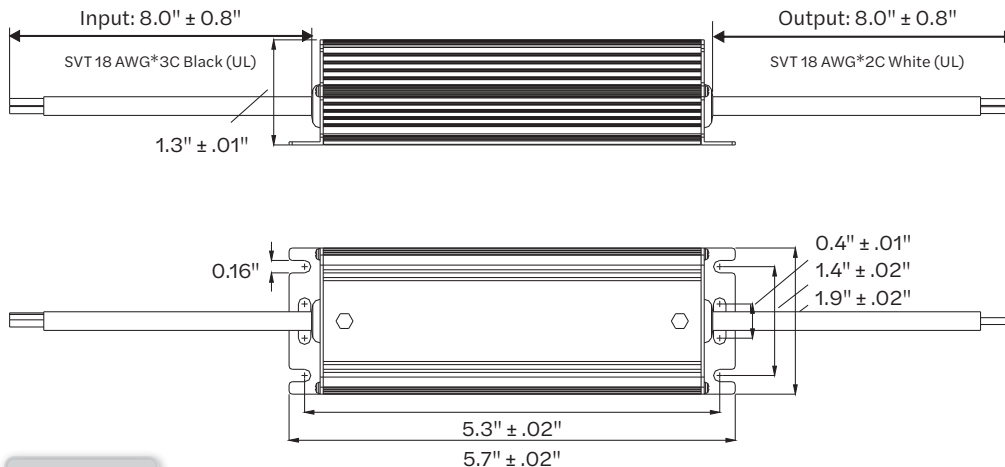
Over current protection 102-130%
 Short circuit protection Hiccup mode, auto-recover
 Other protection Over-voltage/over-load/short circuit
 UL UL879 / UL8750
 CE-LVD EN61347-1, EN61347-2-13



Environmental

IP rating IP67
 UL environmental suitability... Wet, damp, dry
 Operating temperature $-25^{\circ}\sim+50^{\circ}\text{C}$
 Storage temperature $-25^{\circ}\sim+75^{\circ}\text{C}$
 Relative humidity 10~90% RH, non-cond.

Dimensions



principal Sloan.com
 325.227.4577
 3490 Venture Dr., San Angelo, TX 76905

