

QUICKTRONIC INTELLIGENT DALI DIM T8

ECG dimmable DALI for FL 26 mm



Areas of application

- Suitable for use in emergency lighting systems as per EN 50172/DIN VDE 0108-100
- Installation in emergency lighting systems according to IEC 61347-2-3, appendix J
- Industry
- Open-plan offices, corridors and storage rooms
- Public buildings
- Sports halls and factories
- Strip lighting
- Suitable for luminaires of protection class I

Product benefits

- System+ Guarantee available
- Easy integration in luminaire thanks to same dimensions like DALI GI ECG
- TouchDIM function for easy and inexpensive dimming of several ECGs
- Same luminous flux with direct and alternating current
- Dimming of amalgam lamps without flickering or reduced lifespan
- Automatic restart after lamp replacement

DALI product features

- Control via the DALI interface
- Compliance with the DALI Version-1 and IEC 60929
- Control input protected against overvoltage and polarity reversal (OSRAM ECG)

Touch DIM and Touch DIM Sensor function

- Manual dimming without controller and with standard switches
- Including memory function (double click) and soft start

Product features

- Corridor function for direct connection of ECG to common motion sensor

Product family datasheet

- Corridor function with pre-programmed light program
- Touch DIM function for free parameterization of light value and turn on time
- Fit for SMART GRID for feedback of consumed mains power and lamp operating hours
- Fit for emergency function for automatic detection of emergency lighting by ECG
- Very low standby power consumption: < 0.2 W (A1 BAT)
- Lifetime: > 100,000 h (for $T = 65\text{ °C}$ at T_c)
- Very high number of switching cycles: up to 300,000
- Dimming range: 1...100 % (3...100 % with compact fluorescent lamp)
- POWER2LAMP function for optimal matching of ECG power to lamp during lamp lifetime
- Line frequency: 0 Hz, 50...60 Hz, rectified AC

Product family datasheet

Technical data

Electrical data

Product description	Input voltage AC	Nominal voltage	Mains frequency	Input voltage DC
QTi DALI 1X18 DIM	198...264 V	220...240 V	50...60 Hz	154...276 V
QTi DALI 1X36 DIM	198...264 V	220...240 V	50...60 Hz	154...276 V
QTi DALI 1X58 DIM	198...264 V	220...240 V	50...60 Hz	154...276 V
QTi DALI 2X18 DIM	198...264 V	220...240 V	50...60 Hz	154...276 V
QTi DALI 2X36 DIM	198...264 V	220...240 V	50...60 Hz	154...276 V
QTi DALI 2X58 DIM	198...264 V	220...240 V	50...60 Hz	154...276 V
QTi DALI 3X18 DIM	198...264 V	220...240 V	50...60 Hz	154...276 V
QTi DALI 4X18 DIM	198...264 V	220...240 V	50...60 Hz	154...276 V

Light technical data

Product description	Starting time
QTi DALI 1X18 DIM	0.6 s ¹⁾
QTi DALI 1X36 DIM	0.6 s ¹⁾
QTi DALI 1X58 DIM	0.6 s ¹⁾
QTi DALI 2X18 DIM	0.6 s ¹⁾
QTi DALI 2X36 DIM	0.6 s ¹⁾
QTi DALI 2X58 DIM	0.6 s ¹⁾
QTi DALI 3X18 DIM	0.6 s ¹⁾
QTi DALI 4X18 DIM	1.2 s ¹⁾

¹⁾ Optimized preheat start

Product family datasheet

Dimensions & weight

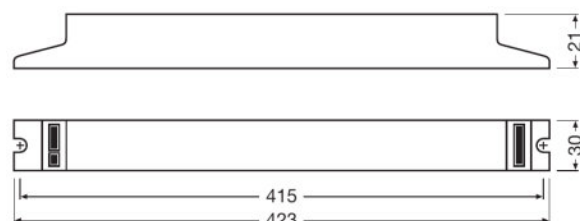
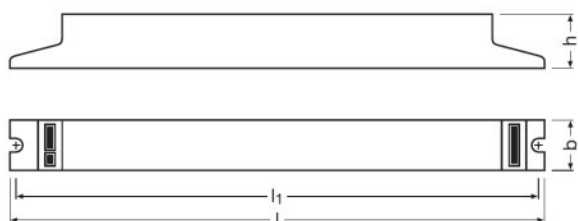
Product description	Length	Width	Height	Mounting hole spacing, length	Product weight	Cable cross-section, output side
QTi DALI 1X18 DIM	360.0 mm	30.0 mm	21.0 mm	350.0 mm	278.00 g	0.5...1.5 / 0.5...1.0 mm ^{2 1)}
QTi DALI 1X36 DIM	360.0 mm	30.0 mm	21.0 mm	350.0 mm	270.00 g	0.5...1.5 / 0.5...1.0 mm ^{2 1)}
QTi DALI 1X58 DIM	360.0 mm	30.0 mm	21.0 mm	350.0 mm	270.00 g	0.5...1.5 / 0.5...1.0 mm ^{2 1)}
QTi DALI 2X18 DIM	423.0 mm	30.0 mm	21.0 mm	415.0 mm	370.00 g	0.5...1.5 / 0.5...1.0 mm ^{2 1)}
QTi DALI 2X36 DIM	423.0 mm	30.0 mm	21.0 mm	415.0 mm	370.00 g	0.5...1.5 / 0.5...1.0 mm ^{2 1)}
QTi DALI 2X58 DIM	423.0 mm	30.0 mm	21.0 mm	415.0 mm	370.00 g	0.5...1.5 / 0.5...1.0 mm ^{2 1)}
QTi DALI 3X18 DIM	360.0 mm	40.0 mm	21.0 mm	350.0 mm	386.00 g	0.5...1.5 / 0.5...1.0 mm ^{2 1)}
QTi DALI 4X18 DIM	360.0 mm	40.0 mm	21.0 mm	350.0 mm	374.00 g	0.5...1.5 / 0.5...1.0 mm ^{2 1)}

Product description	Cable cross-section, input side
QTi DALI 1X18 DIM	0.5...1.5 / 0.5...1.0 mm ^{2 1)}
QTi DALI 1X36 DIM	0.5...1.5 / 0.5...1.0 mm ^{2 1)}
QTi DALI 1X58 DIM	0.5...1.5 / 0.5...1.0 mm ^{2 1)}
QTi DALI 2X18 DIM	0.5...1.5 / 0.5...1.0 mm ^{2 1)}
QTi DALI 2X36 DIM	0.5...1.5 / 0.5...1.0 mm ^{2 1)}
QTi DALI 2X58 DIM	0.5...1.5 / 0.5...1.0 mm ^{2 1)}
QTi DALI 3X18 DIM	0.5...1.5 / 0.5...1.0 mm ^{2 1)}
QTi DALI 4X18 DIM	0.5...1.5 / 0.5...1.0 mm ^{2 1)}

¹⁾ Solid leads

Product family datasheet

Product line drawing



QTi DALI 1X18 DIM, QTi DALI 1X36 DIM, QTi DALI 1X58 DIM, QTi DALI 3X18 DIM, QTi DALI 4X18 DIM

QTi DALI 2X18 DIM, QTi DALI 2X36 DIM, QTi DALI 2X58 DIM

Temperatures & operating conditions

Product description	Ambient temperature range
QTi DALI 1X18 DIM	-20...+50 °C
QTi DALI 1X36 DIM	-20...+50 °C
QTi DALI 1X58 DIM	-20...+50 °C
QTi DALI 2X18 DIM	-20...+50 °C
QTi DALI 2X36 DIM	-20...+50 °C
QTi DALI 2X58 DIM	-20...+50 °C
QTi DALI 3X18 DIM	0...+50 °C
QTi DALI 4X18 DIM	0...+50 °C

Product family datasheet

Lifespan

Product description	ECG lifetime
QTi DALI 1X18 DIM	100000 h ¹⁾
QTi DALI 1X36 DIM	100000 h ¹⁾
QTi DALI 1X58 DIM	100000 h ¹⁾
QTi DALI 2X18 DIM	100000 h ¹⁾
QTi DALI 2X36 DIM	100000 h ¹⁾
QTi DALI 2X58 DIM	100000 h ¹⁾
QTi DALI 3X18 DIM	100000 h ¹⁾
QTi DALI 4X18 DIM	100000 h ¹⁾

¹⁾ At $T_{case} = 65^{\circ}\text{C}$ at T_c point / 10% failure rate

Product name	Lamp group				
QTi DALI 1X18 DIM	DULUX L 18 W	ECG ambient temperature [ta]	40	50	60
		Temperature at tc-point [°C]	45	55	65
		Lifetime [h]	100000	100000	100000
	L 18 W	ECG ambient temperature [ta]	40	50	60
		Temperature at tc-point [°C]	45	55	65
		Lifetime [h]	100000	100000	100000
Product name	Lamp group				
QTi DALI 1X36 DIM	DULUX L 36 W	ECG ambient temperature [ta]	40	50	60
		Temperature at tc-point [°C]	50	60	70
		Lifetime [h]	100000	100000	100000
	L 36 W	ECG ambient temperature [ta]	40	50	60
		Temperature at tc-point [°C]	50	60	70
		Lifetime [h]	100000	100000	100000
Product name	Lamp group				
QTi DALI 1X58 DIM	L 58 W	ECG ambient temperature [ta]	40	50	60
		Temperature at tc-point [°C]	50	60	70
		Lifetime [h]	100000	100000	100000
Product name	Lamp group				
QTi DALI 2X18 DIM	DULUX L 18 W	ECG ambient temperature [ta]	40	50	60
		Temperature at tc-point [°C]	50	60	70
		Lifetime [h]	100000	100000	100000
	L 18 W	ECG ambient temperature [ta]	40	50	60
		Temperature at tc-point [°C]	50	60	70
		Lifetime [h]	100000	100000	100000
Product name	Lamp group				
QTi DALI 2X36 DIM	DULUX L 36 W	ECG ambient temperature [ta]	40	50	60

Product family datasheet

		Temperature at tc-point [°C]	55	65	75
		Lifetime [h]	100000	100000	90000
	L 36 W	ECG ambient temperature [ta]	40	50	60
		Temperature at tc-point [°C]	55	65	75
		Lifetime [h]	100000	100000	90000
Product name	Lamp group				
QTi DALI 2X58 DIM	L 58 W	ECG ambient temperature [ta]	40	50	60
		Temperature at tc-point [°C]	55	65	75
		Lifetime [h]	100000	100000	90000
Product name	Lamp group				
QTi DALI 3X18 DIM	L 18 W	ECG ambient temperature [ta]	40	50	60
		Temperature at tc-point [°C]	55	65	75
		Lifetime [h]	100000	100000	90000
Product name	Lamp group				
QTi DALI 4X18 DIM	L 18 W	ECG ambient temperature [ta]	40	50	60
		Temperature at tc-point [°C]	55	65	75
		Lifetime [h]	100000	100000	90000

Capabilities

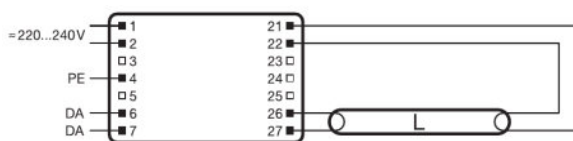
Product description	Dimmable	Suitable for fixtures with prot. class	End of lamp life safety shutdown
QTi DALI 1X18 DIM	Yes	I	EOL T.2
QTi DALI 1X36 DIM	Yes	I	EOL T.2
QTi DALI 1X58 DIM	Yes	I	EOL T.2
QTi DALI 2X18 DIM	Yes	I	EOL T.2
QTi DALI 2X36 DIM	Yes	I	EOL T.2
QTi DALI 2X58 DIM	Yes	I	EOL T.2
QTi DALI 3X18 DIM	Yes	I	EOL T.2
QTi DALI 4X18 DIM	Yes	I	EOL T.2

Product family datasheet

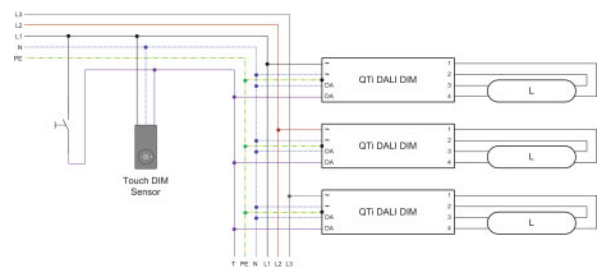
Certificates & standards

Product description	Approval marks – approval	Protection class
QTi DALI 1X18 DIM	VDE / VDE-EMC / ENEC 10 / EL / GOST / RCM / CCC	I
QTi DALI 1X36 DIM	VDE / VDE-EMC / ENEC 10 / EL / GOST / RCM / CCC	I
QTi DALI 1X58 DIM	VDE / VDE-EMC / ENEC 10 / EL / GOST / RCM / CCC	I
QTi DALI 2X18 DIM	VDE / VDE-EMC / ENEC 10 / EL / GOST / RCM / CCC	I
QTi DALI 2X36 DIM	VDE / VDE-EMC / ENEC 10 / EL / GOST / RCM / CCC	I
QTi DALI 2X58 DIM	VDE / VDE-EMC / ENEC 10 / EL / GOST / RCM / CCC	I
QTi DALI 3X18 DIM	VDE / VDE-EMC / ENEC 10 / EL / GOST / RCM / CCC	I
QTi DALI 4X18 DIM	VDE / VDE-EMC / ENEC 10 / EL / GOST / RCM / CCC	I

Wiring Diagram

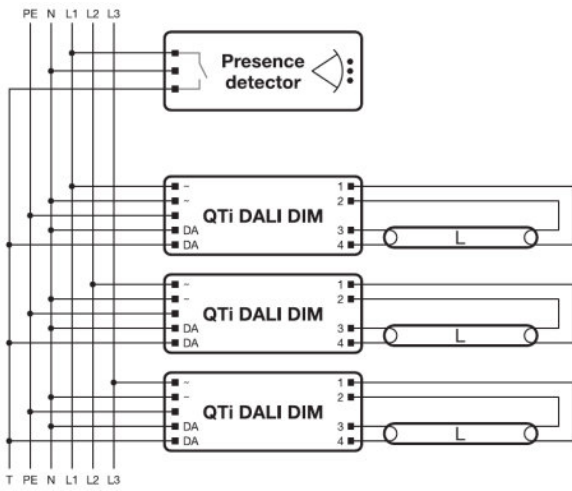


QTi DALI 1X18 DIM, QTi DALI 1X36 DIM, QTi DALI 1X58 DIM

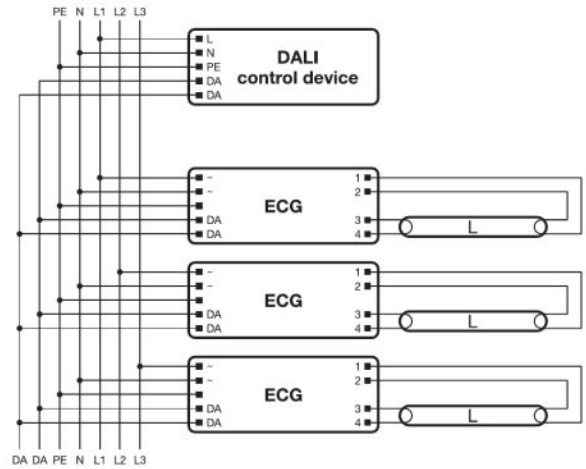


QTi DALI 1X18 DIM, QTi DALI 1X36 DIM, QTi DALI 1X58 DIM, QTi DALI 2X18 DIM, QTi DALI 2X36 DIM, QTi DALI 2X58 DIM, QTi DALI 3X18 DIM, QTi DALI 4X18 DIM

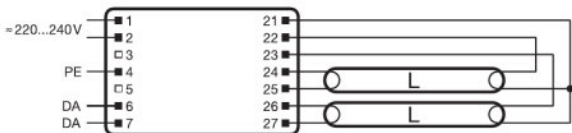
Product family datasheet



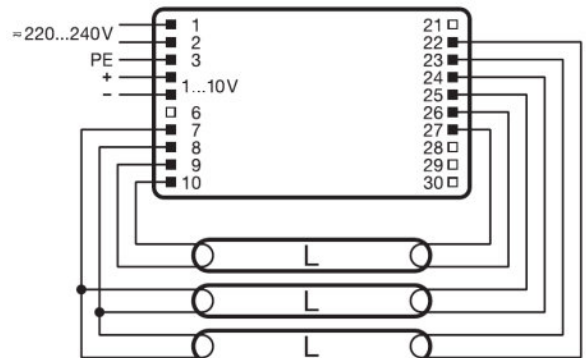
QTİ DALI 1X18 DIM, QTİ DALI 1X36 DIM, QTİ DALI 1X58 DIM, QTİ DALI 2X18 DIM, QTİ DALI 2X36 DIM, QTİ DALI 2X58 DIM, QTİ DALI 3X18 DIM, QTİ DALI 4X18 DIM



QTİ DALI 1X18 DIM, QTİ DALI 1X36 DIM, QTİ DALI 1X58 DIM, QTİ DALI 2X18 DIM, QTİ DALI 2X36 DIM, QTİ DALI 2X58 DIM, QTİ DALI 3X18 DIM, QTİ DALI 4X18 DIM

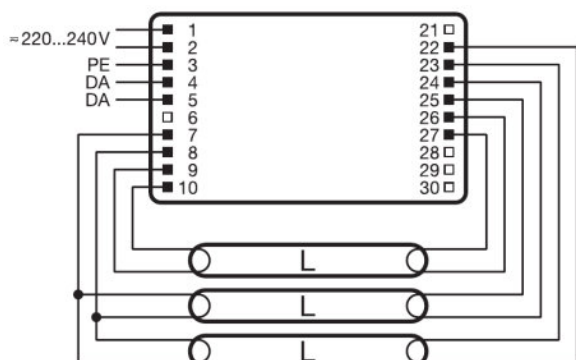


QTİ DALI 2X18 DIM, QTİ DALI 2X36 DIM, QTİ DALI 2X58 DIM

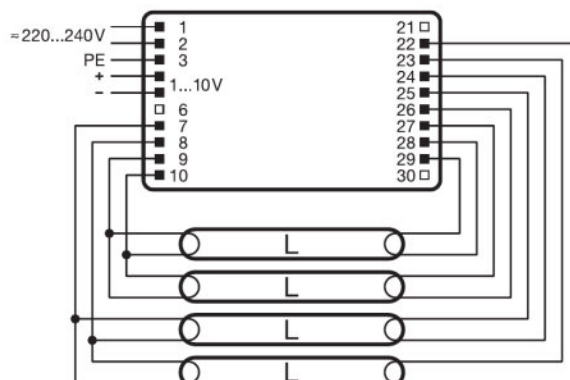


QTİ DALI 3X18 DIM

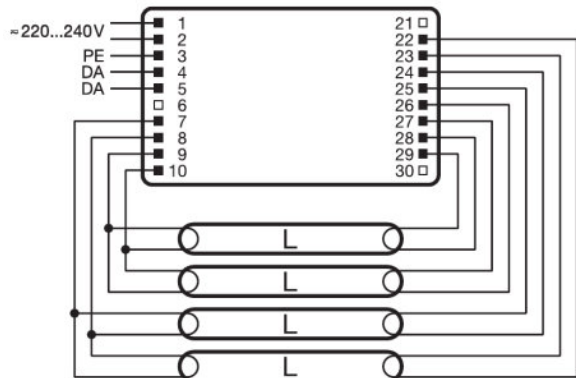
Product family datasheet



QT i DALI 3X18 DIM



QT i DALI 4X18 DIM



QT i DALI 4X18 DIM

Application advice

For more detailed application information and graphics please see product datasheet.

Sales and Technical Support













Product family datasheet

Sales and Technical Support www.osram.com


Country specific information

Product description	Product code	METEL code	SEG-No.	STK-Number	UK Org
QTi DALI 1X18 DIM	4050300870403	OSRQTIDALI1X18	-	-	-
QTi DALI 1X36 DIM	4050300870427	OSRQTIDALI1X36	-	-	-
QTi DALI 1X58 DIM	4050300870823	OSRQTIDALI1X58	-	-	-
QTi DALI 2X18 DIM	4050300870526	OSRQTIDALI2X18	-	-	-
QTi DALI 2X36 DIM	4050300870885	OSRQTIDALI2X36	-	-	-
QTi DALI 2X58 DIM	4050300870847	OSRQTIDALI2X58	-	-	-
QTi DALI 3X18 DIM	4008321069979	OSRQTIDALI3X18	-	-	-
QTi DALI 4X18 DIM	4008321070050	OSRQTIDALI4X18	-	-	-

Download Data

File
 Addon Technical Information 502689_Frequent switching Quicktronic
 Addon Technical Information 502785_ECG lifetime - QUICKTRONIC (DALI) DIM
 Product Datasheet 321483_ATI QTi DALI 1x18 DIM (G+GB)
 Brochures 333874_Bochure – DALI partner
 Certificates 335097_INOTEC
 Certificates 335125_ENECVDE-Marks approval
 Certificates 335135_Manufacturer's declaration – Burning-in of fluorescent lamps
 Certificates 335153_Manufacturer's declaration – Low stand-by
 Certificates 335154_Manufacturer's declaration – EN 55015:2006+A1:2007 (300 MHz)
 Certificates 335169_Manufacturer's declaration – LampECG combinations: Frequent switching
 Certificates 335190_Manufacturer's declaration –Additional hints
 Certificates 592319_EAC certificate for Quicktronics QT

Product family datasheet

	Certificates 504208_VDE-EMC-CERTIFICATE QTI DALI DIM
	Declarations of conformity 334957_Declaration of conformity
	Installation/Operation notice 493509_Technical application guide QUICKTRONIC Intelligent DALI DIM (GB)
	Operating instructions 592413_EAC QTi T8 DALI DIM
	CAD data 3-dim 313432_360x30x21 1881281
	CAD data 3-dim 313433_360x30x21 1881281
	CAD data 3-dim 313453_360x30x21 1881281
	CAD data PDF 313406_360x30x21 1881281
	Product Datasheet 321484_ATI QTi DALI 1x36 DIM (G+GB)
	Product Datasheet 321486_ATI QTi DALI 2x18 DIM (G+GB)
	CAD data 3-dim 313428_423x30x21 1881282
	CAD data 3-dim 313430_423x30x21 1881282
	CAD data 3-dim 313444_423x30x21 1881282
	CAD data PDF 313416_423x30x21 1881282
	Product Datasheet 321487_ATI QTi DALI 2x36 DIM (G+GB)
	Product Datasheet 321488_ATI QTi DALI 2x58 DIM (G+GB)
	Product Datasheet 321489_ATI QTi DALI 3x18 DIM (G+GB)
	CAD data 3-dim 313451_360x40x21 9900042
	CAD data 3-dim 313478_360x40x21 9900042
	CAD data 3-dim 314276_360x40x21 9900042
	CAD data PDF 313387_360x40x21 9900042

Logistical Data

Product family datasheet

Product code	Product description	Packaging unit (Pieces/Unit)	Dimensions (length x width x height)	Volume	Gross weight
4050300870403	QTi DALI 1X18 DIM	Shipping carton box 20	392 mm x 98 mm x 165 mm	6.34 dm ³	6319.99 g
4050300870427	QTi DALI 1X36 DIM	Shipping carton box 20	392 mm x 98 mm x 165 mm	6.34 dm ³	5639.99 g
4050300870823	QTi DALI 1X58 DIM	Shipping carton box 20	392 mm x 98 mm x 165 mm	6.34 dm ³	5679.99 g
4050300870526	QTi DALI 2X18 DIM	Shipping carton box 20	455 mm x 98 mm x 163 mm	7.27 dm ³	7640.00 g
4050300870885	QTi DALI 2X36 DIM	Shipping carton box 20	455 mm x 98 mm x 163 mm	7.27 dm ³	7640.00 g
4050300870847	QTi DALI 2X58 DIM	Shipping carton box 20	455 mm x 98 mm x 163 mm	7.27 dm ³	7640.00 g
4008321069979	QTi DALI 3X18 DIM	Shipping carton box 20	384 mm x 90 mm x 210 mm	7.26 dm ³	8672.00 g
4008321070050	QTi DALI 4X18 DIM	Shipping carton box 20	380 mm x 96 mm x 206 mm	7.51 dm ³	7752.50 g

The mentioned product code describes the smallest quantity unit which can be ordered. One shipping unit can contain one or more single products. When placing an order, for the quantity please enter single or multiples of a shipping unit.

References / Links

For more information on the system guarantee and the terms and conditions of the guarantee visit

▶ www.osram.com/system-guarantee

Disclaimer

Subject to change without notice. Errors and omission excepted. Always make sure to use the most recent release.