
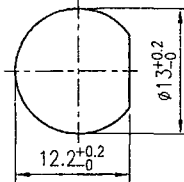
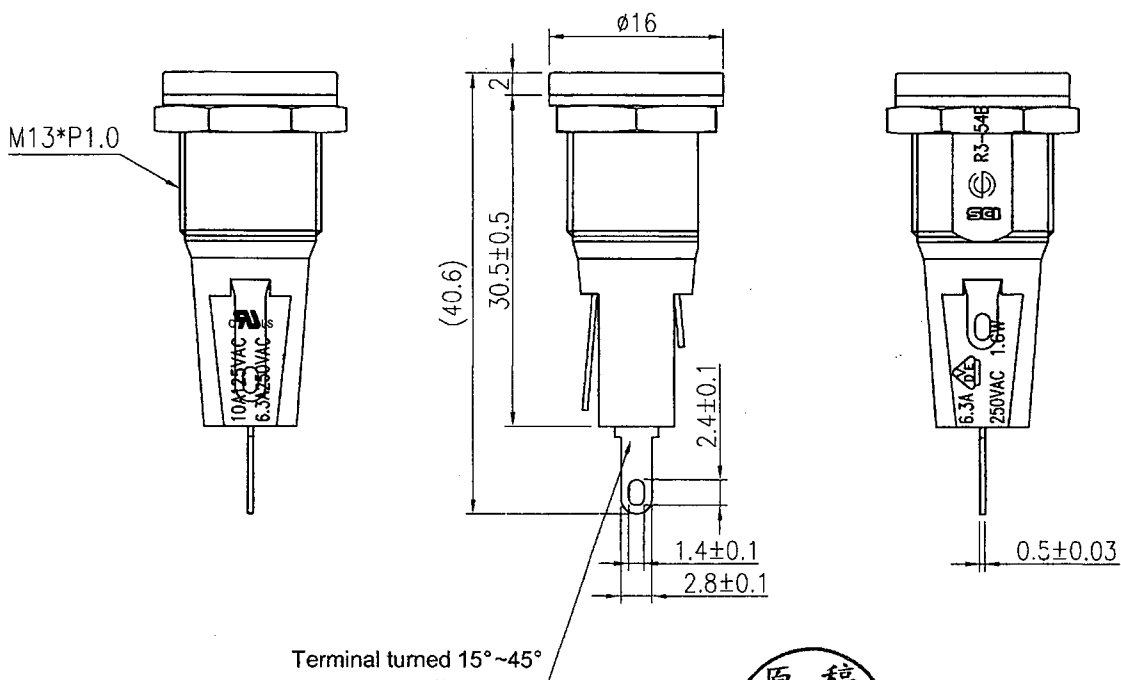
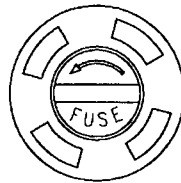


Rating	10A 125V AC 6.3A 250V AC 1.6W		
Insulation Resistance	DC 500V 100M ohm Min		
Dielectric Strength	AC 1500V 1 Minute		
Fuse Size	Ø5*20mm(0.197"*0.788")		

Material:
 Frame:Black,Nylon#66(94V-0)
 Cover:Black,Nylon#66(94V-0)
 Terminal:Silver plated,Copper alloy



Tolerances ±0.3 Unless Otherwise Specified

							△
							△
Date	Name	Description					No.
Drawn	Checked	Approved	SCI BOM No.	1310936	Model Name	FUSE HOLDER	
袁浩徐		<i>Simon</i>	Customer No.	112-R3-54B	Model No.	R3-54B	Rev.
09/24/'19		<i>10/8-19</i>	Unit	mm	Shin Chin Industrial Co., Ltd.		0