

# TRAC-LITES™

## 10W LED CYLINDER

### R605L SERIES

Project: \_\_\_\_\_

Fixture Type: \_\_\_\_\_

Location: \_\_\_\_\_

Contact/Phone: \_\_\_\_\_



## PRODUCT DESCRIPTION

The R605L Series 10W LED is an economical and affordable track fixture, with a simple and timeless aesthetic. It approximates the light output and distribution of 50W MR16 halogen lamps, utilizing about 20% of the energy and having a rated life of 50,000 hours. It is available in 2700K, 3000K, 3500K and 4000K color temperatures with a minimum 80 CRI. Optional high CRI versions are available with a minimum 90 CRI. The R605L Series LED is available in spot, narrow flood, flood and wide flood beam distributions which can be achieved with interchangeable precision-molded custom TIR optics. It is available with an optional, bayonet-mount accessory holder that accommodates one accessory if desired. It is compatible with Juno Trac-Lites™ and Trac-Master™ track and system components.



## PRODUCT SPECIFICATIONS

**Construction** Die cast aluminum heat sink provides outstanding thermal management of LED, yielding 70% average lumen maintenance at 50,000 hours of operation • Simple, timeless design complements any decor • Available in white, black, bronze and silver finishes.

**LED** High performance LED array provides outstanding reliability, performance and color quality/consistency • 2700K, 3000K, 3500K or 4000K white phosphor high performance LEDs • Chromaticity range within a 3-step MacAdam Ellipse • Exceptional 80 CRI minimum on a standard product • Optional high CRI versions offer 90 CRI minimum.

**Driver** Integrated into fixture housing behind LED light engine to minimize overall fixture footprint • Insulating air gap between driver and LED light engine, plus thermal potting compound, optimizes thermal operation • Provides quiet operation with or without dimming • Dimmable using high quality, factory-approved dimmers - see [R605L-DIM](#) • Solid state electronic, Class 2 compliant • Integral overcurrent and short circuit protection • Designed for greater than 50,000 hour operating life • FCC Certified to Part 15 Class B EMI standards.

**Optics** Proprietary, interchangeable computer-designed custom TIR optics available in four factory-configured beam spreads • One TIR optic provided with fixture (as specified in catalog number) • Simply snaps into baffled bayonet mount optic holder • Accessory optics available to enable simple beam changes in the field • Beam patterns can be altered as desired using a variety of available light control accessories.

**Accessory Holder** Optional accessory ring attaches to baffled optic holder without tools • May be specified as a factory-installed option or ordered separately as a field-installed accessory • Precision bayonet mounting • Accommodates one accessory if desired.

**Juno Universal Track Adapter** Universally compatible with both Trac-Master 1-circuit or 2-circuit track, Trac-Lites track, monopoints and special mountings • Also UL Recognized for use on ConTech® LT Series track • Copper alloy contacts provide precise spring action – no arcing and will not take a set • True, positive electrical ground • On /off switch included • Patented embossed polarity arrows on bottom of adapter • Spring-loaded positive latch with embossed polarity arrows secures track light to track • Two-position power contact provided for two-circuit application.

**Alternate GTYPE Track Adapter** Compatible with track systems based on GES type track, including Lithonia LT Commercial Track (not LTS type) • System specific and assembled to track fixture • Available in black, silver, and white finish only • Consult factory for additional information.

**Alternate HTYPE Track Adapter** Compatible with track systems which use a H-type track adapter, including Lithonia LTS Decorative Track (not LT type) • System specific and assembled to track fixture • Two-position power contact provided for two-circuit application • Available in black, silver, and white finish only • Consult factory for additional information.

**Alternate LTYPE Track Adapter** Compatible with track systems which use a L-type track adapter • System specific and assembled to track fixture • Two-position power contact provided for two-circuit application • Available in black and white finish only • Consult factory for additional information.

**Aiming** 350° horizontal coverage • 90° vertical aiming capability.

**Labels** UL and C-UL Listed • DLC Qualified where noted on Performance Data chart • Union made • Assembled in U.S.A • 90 CRI version certified as CEC Title 24 Compliant.

### Government Procurement

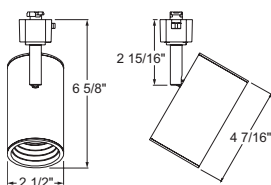
BAA – Buy America(n) Act: Product qualifies as a domestic end product under the Buy American Act as implemented in the FAR and DFARS. Product also qualifies as manufactured in the United States under DOT Buy America regulations.

BABA – Build America Buy America: Product qualifies as produced in the United States under the definitions of the Build America, Buy America Act. Please refer to [www.acuitybrands.com/buy-american](http://www.acuitybrands.com/buy-american) for additional information.

**Warranty** 5-year limited warranty. This is the only warranty provided and no other statements in this specification sheet create any warranty of any kind. All other express and implied warranties are disclaimed. Complete warranty terms located at: [www.acuitybrands.com/support/warranty/terms-and-conditions](http://www.acuitybrands.com/support/warranty/terms-and-conditions).

**Note:** Actual performance may differ as a result of end-user environment and application. All values are design or typical values, measured under laboratory conditions at 25 °C. Specifications subject to change without notice.

## DIMENSIONS



ConTech is a registered trademark of ConTech Lighting.



# TRAC-LITES™

## 10W LED CYLINDER

### R605L SERIES

#### ORDERING INFORMATION

Ordering Example: R605L 27K 80CRI PDIM FL BL

Series	Mounting Adapter Type	Color Temperature	Color Rendering Index	Dimming Compatibility	Distribution
<b>R605L</b> Trac-Lites™ 10W LED Cylinder	<b>(Blank)</b> Universal 120V Track Adapter <b>GTYPE<sup>1</sup></b> G-Type Track Adapter <b>HTYPE<sup>1</sup></b> H-Type Track Adapter <b>LTYPE<sup>2</sup></b> L-Type Track Adapter See page 5 for Direct Canopy Mount Option (CPY) specifications.	<b>27K</b> 2700K <b>30K</b> 3000K <b>35K</b> 3500K <b>40K</b> 4000K	<b>80CRI<sup>3</sup></b> 80 CRI <b>90CRI</b> 90 CRI	<b>PDIM</b> Phase Dimmable	<b>FL</b> Flood <b>NFL</b> Narrow Flood <b>SP</b> Spot <b>WFL</b> Wide Flood

Finish	Accessory Holder Option
<b>BL</b> Black	<b>AHR605 BLCK</b> Accessory Holder for R605L, Black
<b>BZ<sup>4</sup></b> Bronze	<b>AHR605 WHT</b> Accessory Holder for R605L, White
<b>SL</b> Silver	
<b>WH</b> White	

Accessories (Order Separately)					
<b>AHR605 BLCK 200</b>	Accessory Holder for R605L, Black	<b>HCLBL 200</b>	Hexagonal Cell Louver - Black	<b>TIR6 WFLD BLCK</b>	TIR Optic - Wide Flood, Black
<b>AHR605 WHT 200</b>	Accessory Holder for R605L, White	<b>SNOOTBL 200</b>	Snoot - Black	<b>TIR6 WFLD WHT</b>	TIR Optic - Wide Flood, White
<b>UVF 200</b>	UV Filter	<b>TIR6 FLD BLCK</b>	TIR Optic - Flood, Black		
<b>CGF 200</b>	Color Glass Filter	<b>TIR6 FLD WHT</b>	TIR Optic - Flood, White		
<b>DCCF 200<sup>3</sup></b>	Dichroic Color Correction Filter	<b>TIR6 NFLD BLCK</b>	TIR Optic - Narrow Flood, Black		
<b>DGF 200</b>	Dichroic Glass Filter	<b>TIR6 NFLD WHT</b>	TIR Optic - Narrow Flood, White		
<b>DIFF 200</b>	Diffusion Glass Lens	<b>TIR6 SPT BLCK</b>	TIR Optic - Spot, Black		
<b>PRISM 200</b>	Prismatic Spread Glass Lens	<b>TIR6 SPT WHT</b>	TIR Optic - Spot, White		
<b>SOLITE 200</b>	Uniformity Lens (Solite)				
<b>LSPREAD 200</b>	Linear Spread Lens				

See specification sheet [D1.2.2](#) for details and color filter options.Other accessories can be found on specification sheet [D1.2.0](#).

## Notes:

- GTYPE and HTYPE adapters available in BL, SL, and WH finish only.
- LTYPE adapter available in BL and WH finish only.
- DCCF 200 HAL2700 corrects 3000K color to approximately 2700K and 4000K color to approximately 3400K.
- BZ finish available in 27K 80CRI, 35K 80CRI, 35K 90CRI, & 40K 90CRI only.

# TRAC-LITES™

## 10W LED CYLINDER

### R605L SERIES

#### PERFORMANCE DATA<sup>1</sup>

Catalog Number	Input Voltage	Watts (Typical)	Lumens	Efficacy (LPW)	Rated Life (Hours)	DLC Qualified
R605L 27K 80CRI PDIM SP	120V	10.5	924	88	50,000	X
R605L 27K 80CRI PDIM NFL	120V	10.5	893	85	50,000	X
R605L 27K 80CRI PDIM FL	120V	10.5	957	91	50,000	X
R605L 27K 80CRI PDIM WFL	120V	10.5	851	81	50,000	X
R605L 27K 90CRI PDIM SP	120V	10.5	764	73	50,000	
R605L 27K 90CRI PDIM NFL	120V	10.5	738	70	50,000	
R605L 27K 90CRI PDIM FL	120V	10.5	792	75	50,000	
R605L 27K 90CRI PDIM WFL	120V	10.5	704	67	50,000	
R605L 30K 80CRI PDIM SP	120V	10.5	972	93	50,000	X
R605L 30K 80CRI PDIM NFL	120V	10.5	939	89	50,000	X
R605L 30K 80CRI PDIM FL	120V	10.5	1007	96	50,000	X
R605L 30K 80CRI PDIM WFL	120V	10.5	895	85	50,000	X
R605L 30K 90CRI PDIM SP	120V	10.5	803	76	50,000	
R605L 30K 90CRI PDIM NFL	120V	10.5	776	74	50,000	
R605L 30K 90CRI PDIM FL	120V	10.5	832	79	50,000	
R605L 30K 90CRI PDIM WFL	120V	10.5	739	70	50,000	
R605L 35K 80CRI PDIM SP	120V	10.5	998	95	50,000	X
R605L 35K 80CRI PDIM NFL	120V	10.5	964	92	50,000	X
R605L 35K 80CRI PDIM FL	120V	10.5	1034	98	50,000	X
R605L 35K 80CRI PDIM WFL	120V	10.5	919	88	50,000	X
R605L 35K 90CRI PDIM SP	120V	10.5	824	78	50,000	
R605L 35K 90CRI PDIM NFL	120V	10.5	796	76	50,000	
R605L 35K 90CRI PDIM FL	120V	10.5	854	81	50,000	X
R605L 35K 90CRI PDIM WFL	120V	10.5	759	72	50,000	
R605L 40K 80CRI PDIM SP	120V	10.5	1015	97	50,000	X
R605L 40K 80CRI PDIM NFL	120V	10.5	981	93	50,000	X
R605L 40K 80CRI PDIM FL	120V	10.5	1052	100	50,000	X
R605L 40K 80CRI PDIM WFL	120V	10.5	935	89	50,000	X
R605L 40K 90CRI PDIM SP	120V	10.5	838	80	50,000	
R605L 40K 90CRI PDIM NFL	120V	10.5	810	77	50,000	
R605L 40K 90CRI PDIM FL	120V	10.5	868	83	50,000	X
R605L 40K 90CRI PDIM WFL	120V	10.5	772	74	50,000	

#### ELECTRICAL DATA

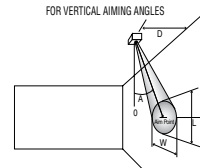
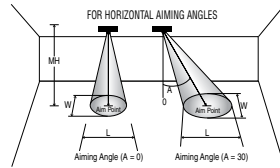
Input Voltage	120V
Input Current (max.)	0.09A
Power Factor	>0.95
T.H.D.	<20%

<sup>1</sup>Performance data, including Rated Life, is based on measurements of an individual fixture operating at 120V in a 25°C ambient.

# TRAC-LITES™ 10W LED CYLINDER R605L SERIES

**CBCP** • Centerbeam candlepower  
**FC** • Footcandles at beam center (aim point)

In vertical aiming applications, aim point (X) is determined by dividing distance from the wall (D) by the tangent of the desired aim angle (A) (0.5774 for 30°, 1.0 for 45°, 1.732 for 60°).



Fixture	Beam Type	Beam Spread	Rated Life	CBCP	0°				30°			30°					45°				60°				
					MH	FC	L	W	FC	L	W	D	FC	X	L	W	FC	X	L	W	D	FC	X	L	W
R605L 10W LED, 3000K, 80CRI Spot	SP	13°	50000	9850	6	274	1.4	1.4	178	1.8	1.6	3	137	5.2	2.8	1.4	387	3.0	1.4	1.0	6	178	3.5	1.8	1.6
					8	154	1.8	1.8	100	2.4	2.1	4	77	6.9	3.8	1.8	218	4.0	1.8	1.3	8	100	4.6	2.4	2.1
					10	99	2.3	2.3	64	3.0	2.6	5	49	8.7	4.7	2.3	139	5.0	2.3	1.6	10	64	5.8	3.0	2.6
					12	68	2.7	2.7	44	3.6	3.1	6	34	10.4	5.6	2.7	97	6.0	2.7	1.9	12	44	6.9	3.6	3.1
					14	50	3.2	3.2	33	4.2	3.7	7	25	12.1	6.6	3.2	71	7.0	3.2	2.2	14	33	8.1	4.2	3.7
R605L 10W LED, 3000K, 80CRI Narrow Flood	NFL	21°	50000	4189	4	262	1.5	1.5	170	2.0	1.7	2	131	3.5	3.4	1.5	370	2.0	1.6	1.1	4	170	2.3	2.0	1.7
					6	116	2.3	2.3	76	3.1	2.6	3	58	5.2	5.1	2.3	165	3.0	2.4	1.6	6	76	3.5	3.1	2.6
					8	65	3.0	3.0	43	4.1	3.5	4	33	6.9	6.8	3.0	93	4.0	3.1	2.1	8	43	4.6	4.1	3.5
					10	42	3.8	3.8	27	5.1	4.4	5	21	8.7	8.5	3.8	59	5.0	3.9	2.7	10	27	5.8	5.1	4.4
					12	29	4.5	4.5	19	6.1	5.2	6	15	10.4	10.2	4.5	41	6.0	4.7	3.2	12	19	6.9	6.1	5.2
R605L 10W LED, 3000K, 80CRI Flood	FL	31°	50000	2387	4	149	2.2	2.2	97	3.0	2.5	1	298	1.7	2.8	1.1	844	1.0	1.2	0.8	3	172	1.7	2.3	1.9
					5	95	2.7	2.7	62	3.8	3.2	2	75	3.5	5.7	2.2	211	2.0	2.4	1.6	4	97	2.3	3.0	2.5
					6	66	3.3	3.3	43	4.5	3.8	3	33	5.2	8.5	3.3	94	3.0	3.6	2.3	5	62	2.9	3.8	3.2
					7	49	3.8	3.8	32	5.3	4.4	4	19	6.9	11.4	4.4	53	4.0	4.8	3.1	6	43	3.5	4.5	3.8
					8	37	4.4	4.4	24	6.0	5.1	5	12	8.7	14.2	5.5	34	5.0	5.9	3.9	7	32	4.0	5.3	4.4
R605L 10W LED, 3000K, 80CRI Wide Flood	WFL	35°	50000	1445	2	361	1.3	1.3	235	1.8	1.5	1.0	181	1.7	3.6	1.3	511	1.0	1.4	0.9	2	235	1.2	1.8	1.5
					3	161	1.9	1.9	104	2.6	2.2	1.5	80	2.6	5.5	1.9	227	1.5	2.1	1.3	3	104	1.7	2.6	2.2
					4	90	2.5	2.5	59	3.5	2.9	2.0	45	3.5	7.3	2.5	128	2.0	2.8	1.8	4	59	2.3	3.5	2.9
					5	58	3.2	3.2	38	4.4	3.7	2.5	29	4.3	9.1	3.2	82	2.5	3.5	2.2	5	38	2.9	4.4	3.7
					6	40	3.8	3.8	26	5.3	4.4	3.0	20	5.2	10.9	3.8	57	3.0	4.2	2.7	6	26	3.5	5.3	4.4

CRI	CCT	Multiplier
80	27K	0.95
	30K	1.00
	35K	1.03
	40K	1.04
90	27K	0.79
	30K	0.83
	35K	0.85
	40K	0.86



# TRAC-LITES™ 10W LED CYLINDER R605L SERIES DIRECT CANOPY MOUNT

Project: \_\_\_\_\_

Fixture Type: \_\_\_\_\_

Location: \_\_\_\_\_

Contact/Phone: \_\_\_\_\_



## PRODUCT DESCRIPTION

The R605L Series 10W LED is an economical and affordable accent luminaire, with a simple and timeless aesthetic. It approximates the light output and distribution of 50W MR16 halogen lamps, utilizing about 20% of the energy and having a rated life of 50,000 hours. It is available in 2700K, 3000K, 3500K and 4000K color temperatures with a minimum 80 CRI. Optional high CRI versions are available with a minimum 90 CRI. The R605L Series LED is available in spot, narrow flood, flood and wide flood beam distributions which can be achieved with interchangeable precision-molded custom TIR optics. It is available with an optional, bayonet-mount accessory holder that accommodates one accessory if desired. The Canopy Mount version is designed to mount over a standard j-box and is available with a variety of performance options including 277V operation, 347V operation, phase-dimming, and 0-10V dimming.



## PRODUCT SPECIFICATIONS

**Construction** Die cast aluminum heat sink provides outstanding thermal management of LED, yielding 70% average lumen maintenance at 50,000 hours of operation • Simple, timeless design complements any decor • Available in white semi-gloss or black semi-gloss finishes.

**LED** High performance LED array provides outstanding reliability, performance and color quality/consistency • 2700K, 3000K, 3500K or 4000K white phosphor high performance LEDs • Chromaticity range within a 3-step MacAdam Ellipse • Exceptional 80 CRI minimum on a standard product • Optional high CRI versions offer 90 CRI minimum.

**Electrical/Driver** Multi-volt (120-277V, 50/60Hz) phase-dimmable or 0-10V dimmable driver mounted in a deep canopy • Optional 347V 0-10V dimmable driver mounted in a deep canopy • 0-10V dimming requires two (2) additional low-voltage wires to be pulled.

**Dimming** MVOLT versions are phase-dimmable (120V only) down to 10% or less using high quality, factory-approved dimmers - see [R600LG2-DIM](#) • MVOLT versions are also 0-10V dimmable down to as low as 1% and require two (2) additional low-voltage wires to be pulled • 347V versions are 0-10V dimmable down to as low as 1% and require two (2) additional low-voltage wires to be pulled.

**Optics** Proprietary, interchangeable computer-designed custom TIR optics available in four factory-configured beam spreads • One TIR optic provided with fixture (as specified in catalog number) • Simply snaps into baffled bayonet mount optic holder • Accessory optics available to enable simple beam changes in the field • Beam patterns can be altered as desired using a variety of available light control accessories.

**Accessory Holder** Optional accessory ring attaches to baffled optic holder without tools • May be specified as a factory-installed option or ordered separately as a field-installed accessory • Precision bayonet mounting • Accommodates one accessory if desired.

**Mounting** Installs over a standard electrical j-box • Accent light is permanently, factory-assembled to the mounting canopy • Universal mounting plate accommodates octagon box and typical j-box mud rings • Mounting plate designed to be installed snug to mounting surface • May be ceiling or wall mounted in any orientation • Driver is assembled into mounting canopy – see Dimensions section for canopy type and dimensions based on option selected • Canopy is securely tethered to mounting plate to facilitate wiring terminations.

**Aiming** 330° horizontal coverage • 180° vertical aiming capability.

**Labels** UL and C-UL Damp Location Listed • Union made • Assembled in U.S.A

### Government Procurement

BAA – Buy America(n) Act: Product qualifies as a domestic end product under the Buy American Act as implemented in the FAR and DFARS. Product also qualifies as manufactured in the United States under DOT Buy America regulations.

BABA – Build America Buy America: Product qualifies as produced in the United States under the definitions of the Build America, Buy America Act. Please refer to [www.acuitybrands.com/buy-american](http://www.acuitybrands.com/buy-american) for additional information.

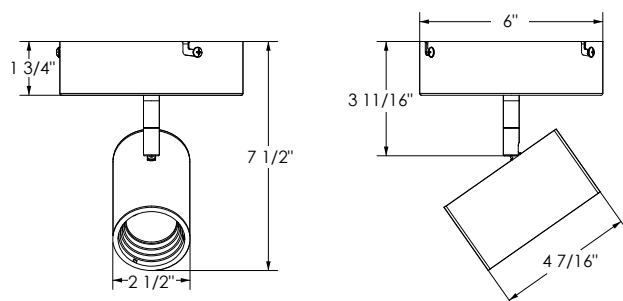
**Warranty** 5-year limited warranty. This is the only warranty provided and no other statements in this specification sheet create any warranty of any kind. All other express and implied warranties are disclaimed. Complete warranty terms located at: [www.acuitybrands.com/support/warranty/terms-and-conditions](http://www.acuitybrands.com/support/warranty/terms-and-conditions).

**Note:** Actual performance may differ as a result of end-user environment and application.

All values are design or typical values, measured under laboratory conditions at 25 °C.

Specifications subject to change without notice.

## DIMENSIONS



# TRAC-LITES™

## 10W LED CYLINDER

### R605L SERIES

### DIRECT CANOPY MOUNT

#### ORDERING INFORMATION

Ordering Example: R605L CPY 30K 80CRI MVOLT NFL BL

Series	Mounting Adapter Type	Color Temperature	Color Rendering Index	Input Voltage <sup>1</sup>	Distribution
<b>R605L</b> Trac-Lites™ 10W LED Cylinder	<b>CPY</b> Canopy Mounting	<b>27K</b> 2700K <b>30K</b> 3000K <b>35K</b> 3500K <b>40K</b> 4000K	<b>80CRI</b> 80 CRI <b>90CRI</b> 90 CRI	<b>MVOLT</b> 120V/277V Operation <b>347</b> 347V Operation	<b>FL</b> Flood <b>NFL</b> Narrow Flood <b>SP</b> Spot <b>WFL</b> Wide Flood

Finish	Accessory Holder Option
<b>BL</b> Black	<b>AHR605 BLCK</b> Accessory Holder for R605L, Black
<b>WH</b> White	<b>AHR605 WHT</b> Accessory Holder for R605L, White

Accessories (Order Separately)					
<b>AHR605 BLCK 200</b>	Accessory Holder for R605L, Black	<b>HCLBL 200</b>	Hexagonal Cell Louver - Black	<b>TIR6 WFLD BLCK</b>	TIR Optic - Wide Flood, Black
<b>AHR605 WHT 200</b>	Accessory Holder for R605L, White	<b>SNOOTBL 200</b>	Snoot - Black	<b>TIR6 WFLD WHT</b>	TIR Optic - Wide Flood, White
<b>UVF 200</b>	UV Filter	<b>TIR6 FLD BLCK</b>	TIR Optic - Flood, Black		
<b>CGF 200</b>	Color Glass Filter	<b>TIR6 FLD WHT</b>	TIR Optic - Flood, White		
<b>DCCF 200</b>	Dichroic Color Correction Filter	<b>TIR6 NFLD BLCK</b>	TIR Optic - Narrow Flood, Black		
<b>DGF 200</b>	Dichroic Glass Filter	<b>TIR6 NFLD WHT</b>	TIR Optic - Narrow Flood, White		
<b>DIFF 200</b>	Diffusion Glass Lens	<b>TIR6 SPT BLCK</b>	TIR Optic - Spot, Black		
<b>PRISM 200</b>	Prismatic Spread Glass Lens	<b>TIR6 SPT WHT</b>	TIR Optic - Spot, White		
<b>SOLITE 200</b>	Uniformity Lens (Solite)				
<b>LSPREAD 200</b>	Linear Spread Lens				

See specification sheet [D1.2.2](#) for details and color filter options.

## Notes:

1 MVOLT option can be either phase-dimmed (120V) or 0-10V dimmed; 347V option is 0-10V dimming only.

# TRAC-LITES™

## 10W LED CYLINDER

### R605L SERIES

#### DIRECT CANOPY MOUNT

#### PERFORMANCE DATA<sup>1</sup>

Catalog Number	Input Voltage	Watts (Typical)	Lumens	Efficacy (LPW)	Rated Life (Hours)
R605L 27K 80CRI PDIM SP	120V	11.0	924	88	50,000
R605L 27K 80CRI PDIM NFL	120V	11.0	893	85	50,000
R605L 27K 80CRI PDIM FL	120V	11.0	957	91	50,000
R605L 27K 80CRI PDIM WFL	120V	11.0	851	81	50,000
R605L 27K 90CRI PDIM SP	120V	11.0	764	73	50,000
R605L 27K 90CRI PDIM NFL	120V	11.0	738	70	50,000
R605L 27K 90CRI PDIM FL	120V	11.0	792	75	50,000
R605L 27K 90CRI PDIM WFL	120V	11.0	704	67	50,000
R605L 30K 80CRI PDIM SP	120V	11.0	972	93	50,000
R605L 30K 80CRI PDIM NFL	120V	11.0	939	89	50,000
R605L 30K 80CRI PDIM FL	120V	11.0	1007	96	50,000
R605L 30K 80CRI PDIM WFL	120V	11.0	895	85	50,000
R605L 30K 90CRI PDIM SP	120V	11.0	803	76	50,000
R605L 30K 90CRI PDIM NFL	120V	11.0	776	74	50,000
R605L 30K 90CRI PDIM FL	120V	11.0	832	79	50,000
R605L 30K 90CRI PDIM WFL	120V	11.0	739	70	50,000
R605L 35K 80CRI PDIM SP	120V	11.0	998	95	50,000
R605L 35K 80CRI PDIM NFL	120V	11.0	964	92	50,000
R605L 35K 80CRI PDIM FL	120V	11.0	1034	98	50,000
R605L 35K 80CRI PDIM WFL	120V	11.0	919	88	50,000
R605L 35K 90CRI PDIM SP	120V	11.0	824	78	50,000
R605L 35K 90CRI PDIM NFL	120V	11.0	796	76	50,000
R605L 35K 90CRI PDIM FL	120V	11.0	854	81	50,000
R605L 35K 90CRI PDIM WFL	120V	11.0	759	72	50,000
R605L 40K 80CRI PDIM SP	120V	11.0	1015	97	50,000
R605L 40K 80CRI PDIM NFL	120V	11.0	981	93	50,000
R605L 40K 80CRI PDIM FL	120V	11.0	1052	100	50,000
R605L 40K 80CRI PDIM WFL	120V	11.0	935	89	50,000
R605L 40K 90CRI PDIM SP	120V	11.0	838	80	50,000
R605L 40K 90CRI PDIM NFL	120V	11.0	810	77	50,000
R605L 40K 90CRI PDIM FL	120V	11.0	868	83	50,000
R605L 40K 90CRI PDIM WFL	120V	11.0	772	74	50,000

<sup>1</sup>Performance data, including Rated Life, is based on measurements of an individual fixture operating at 120V in a 25°C ambient.

#### ELECTRICAL DATA

Input Voltage	120V	277V	347V
Input Wattage (typ.)	11.0	11.4	12.0
Input Current (max.)	0.10A	0.08A	0.05A
Power Factor	>0.99	>0.59	>0.79
T.H.D.	<20%	<20%	<30%

# TRAC-LITES™

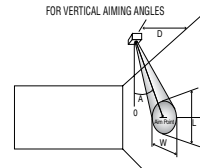
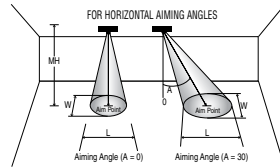
## 10W LED CYLINDER

### R605L SERIES

### DIRECT CANOPY MOUNT

**CBCP** • Centerbeam candlepower  
**FC** • Footcandles at beam center (aim point)

In vertical aiming applications, aim point (X) is determined by dividing distance from the wall (D) by the tangent of the desired aim angle (A) (0.5774 for 30°, 1.0 for 45°, 1.732 for 60°).



Fixture	Beam Type	Beam Spread	Rated Life	CBCP	0°			30°			30°			45°			60°								
					MH	FC	L	W	FC	L	W	D	FC	X	L	W	FC	X	L	W	D	FC	X	L	W
R605L 10W LED, 3000K, 80CRI Spot	SP	13°	50000	9850	6	274	1.4	1.4	178	1.8	1.6	3	137	5.2	2.8	1.4	387	3.0	1.4	1.0	6	178	3.5	1.8	1.6
					8	154	1.8	1.8	100	2.4	2.1	4	77	6.9	3.8	1.8	218	4.0	1.8	1.3	8	100	4.6	2.4	2.1
					10	99	2.3	2.3	64	3.0	2.6	5	49	8.7	4.7	2.3	139	5.0	2.3	1.6	10	64	5.8	3.0	2.6
					12	68	2.7	2.7	44	3.6	3.1	6	34	10.4	5.6	2.7	97	6.0	2.7	1.9	12	44	6.9	3.6	3.1
					14	50	3.2	3.2	33	4.2	3.7	7	25	12.1	6.6	3.2	71	7.0	3.2	2.2	14	33	8.1	4.2	3.7
R605L 10W LED, 3000K, 80CRI Narrow Flood	NFL	21°	50000	4189	4	262	1.5	1.5	170	2.0	1.7	2	131	3.5	3.4	1.5	370	2.0	1.6	1.1	4	170	2.3	2.0	1.7
					6	116	2.3	2.3	76	3.1	2.6	3	58	5.2	5.1	2.3	165	3.0	2.4	1.6	6	76	3.5	3.1	2.6
					8	65	3.0	3.0	43	4.1	3.5	4	33	6.9	6.8	3.0	93	4.0	3.1	2.1	8	43	4.6	4.1	3.5
					10	42	3.8	3.8	27	5.1	4.4	5	21	8.7	8.5	3.8	59	5.0	3.9	2.7	10	27	5.8	5.1	4.4
					12	29	4.5	4.5	19	6.1	5.2	6	15	10.4	10.2	4.5	41	6.0	4.7	3.2	12	19	6.9	6.1	5.2
R605L 10W LED, 3000K, 80CRI Flood	FL	31°	50000	2387	4	149	2.2	2.2	97	3.0	2.5	1	298	1.7	2.8	1.1	844	1.0	1.2	0.8	3	172	1.7	2.3	1.9
					5	95	2.7	2.7	62	3.8	3.2	2	75	3.5	5.7	2.2	211	2.0	2.4	1.6	4	97	2.3	3.0	2.5
					6	66	3.3	3.3	43	4.5	3.8	3	33	5.2	8.5	3.3	94	3.0	3.6	2.3	5	62	2.9	3.8	3.2
					7	49	3.8	3.8	32	5.3	4.4	4	19	6.9	11.4	4.4	53	4.0	4.8	3.1	6	43	3.5	4.5	3.8
					8	37	4.4	4.4	24	6.0	5.1	5	12	8.7	14.2	5.5	34	5.0	5.9	3.9	7	32	4.0	5.3	4.4
R605L 10W LED, 3000K, 80CRI Wide Flood	WFL	35°	50000	1445	2	361	1.3	1.3	235	1.8	1.5	1.0	181	1.7	3.6	1.3	511	1.0	1.4	0.9	2	235	1.2	1.8	1.5
					3	161	1.9	1.9	104	2.6	2.2	1.5	80	2.6	5.5	1.9	227	1.5	2.1	1.3	3	104	1.7	2.6	2.2
					4	90	2.5	2.5	59	3.5	2.9	2.0	45	3.5	7.3	2.5	128	2.0	2.8	1.8	4	59	2.3	3.5	2.9
					5	58	3.2	3.2	38	4.4	3.7	2.5	29	4.3	9.1	3.2	82	2.5	3.5	2.2	5	38	2.9	4.4	3.7
					6	40	3.8	3.8	26	5.3	4.4	3.0	20	5.2	10.9	3.8	57	3.0	4.2	2.7	6	26	3.5	5.3	4.4

CRI	CCT	Multiplier
80	27K	0.95
	30K	1.00
	35K	1.03
	40K	1.04
90	27K	0.79
	30K	0.83
	35K	0.85
	40K	0.86