

PROJECT NAME: _____ CAT. #: _____

NOTES: _____ FIXTURE SCHEDULE: _____

New Construction Frames

Downlights



Description:

The RCF New construction frames are designed with an integrated J-Box and aid in installation of MaxLite downlights by acting as a cutting template after ceiling finish. It is suitable for use in residential, commercial retrofit and new constructions applications.

Features:

- Hanger bars allow housing to be positioned at any point within a 24" joist span, then locked in place with set screws
- Bars can be repositioned 90° on plaster frame
- Bars fit onto T-bar spine for quick mounting and can be permanently secured using screws (not provided)
- Bars can be shortened without tools to accommodate a 12" joist span

Product Compatibility:

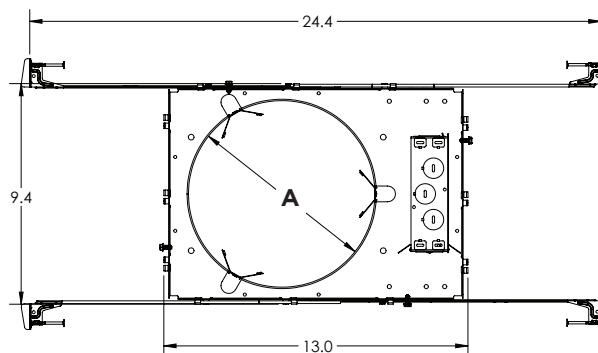
- Compatible with the 4", 6", 8" commercial RCF, RRECO, RRC and the Round Slim downlights (SDL and SDB) product families.

Ordering Information

ORDER CODE	MODEL NUMBER	DESCRIPTION
RCF-4	14098874	4" COMMERCIAL RECESSED FRAME, NEW CONSTRUCTION
RCF-6	14098875	6" COMMERCIAL RECESSED FRAME, NEW CONSTRUCTION
RCF-8	14098876	8" COMMERCIAL RECESSED FRAME, NEW CONSTRUCTION

Dimensions

MODEL	A
RCF-4	4"
RCF-6	6"
RCF-8	8"



5-year standard warranty (further details available at www.maxlite.com/warranties)

Product may be eligible for a warranty extension to 10 years, for an additional fee. Contact Maxlite for details.