

SYLVANIA Luminaires

ValueLED™ Lumen Selectable Retrofit DoorKit

Application

The ValueLED Retrofit DoorKit is offered in three sizes (1'x4', 2'x2', and 2'x4') and is ideal for illuminating offices, retail spaces, hallways, multipurpose rooms and hospitality areas.

Benefits and Features

- Lumen selectability increases the versatility of this product
- All models are DLC Premium listed to maximize rebate opportunities
- Ideal in retrofit applications, offering up to 61% energy savings when compared to traditional lighting technologies
- Additional energy savings can be obtained by taking advantage of the standard 0-10V dimming driver
- Up to 125 LPW
- 3500K, 4000K or 5000K color temperature
- 0-10V dimmable
- CRI >80

Electrical

- 120-277V_{AC}
- THD <20%
- Power Factor >90%

Rated Life

- 100,000 hours (L₇₀) @25°C

Warranty

- 5-year

Ambient Operating Range

- -4°F to +120°F (-20°C to +50°C)
- +32°F to +120°F (0°C to +50°C) (Emergency versions)

Item #
Type
Project
Notes
Date



Wattage Comparison

Traditional Source	Traditional System Wattage	LED System Wattage	Energy Savings
2x28W T8	49	20	59%
2x32W T8	56	25	55%
3x28W T8	64	30	53%
3x32W T8	75	34	55%
4x28W T8	97	38	61%
4x32W T8	116	45	61%

Certifications and Listings

- cULus
- RoHS
- FCC
- DLC Premium

Installation

- Retrofit luminaire is designed to be installed in existing troffers



Ordering Guide

RDORKIT	5A	S	/ XX	UNX	D	8	XX	/ XX	U	/ WH	-
Product Name	Generation	Lumen Selectable	Wattage	Voltage	Dimming	CRI	Color Temp	Size	Mounting	Color/Finish	Options
RDORKIT =	5A =	S =	30 = 20, 25, or 30W	UNV =	D = 0-10V	8 = >80	35 = 3500K	14 = 1x4 ft	U = Universal	WH = White	Blank = no option
Retrofit DoorKit	Generation 5A	Lumen Selectable	34 = 25, 30, or 34W	120-277V			40 = 4000K	22 = 2x2 ft	Mounting		E = Emergency Battery Back-up
			45 = 34, 38, or 45W				50 = 5000K	24 = 2x4 ft			

Ordering Information

Item Number	Ordering Abbreviation	Wattage (W)	Input Voltage (V)	Dimming	CRI	Color Temperature (CCT)	Total Fixture Lumens	LPW	DLC	Options
61525	RDORKIT5AS/030UNVD835/22U/WH	20, 25 or 30	120-277	0-10V	>80	3500K	2500, 3125 or 3750	125	Prm	-
61526	RDORKIT5AS/030UNVD840/22U/WH	20, 25 or 30	120-277	0-10V	>80	4000K	2500, 3125 or 3750	125	Prm	-
61527	RDORKIT5AS/030UNVD850/22U/WH	20, 25 or 30	120-277	0-10V	>80	5000K	2500, 3125 or 3750	125	Prm	-
61528	RDORKIT5AS/034UNVD835/24U/WH	25, 30 or 34	120-277	0-10V	>80	3500K	3100, 3750 or 4250	125	Prm	-
61529	RDORKIT5AS/034UNVD840/24U/WH	25, 30 or 34	120-277	0-10V	>80	4000K	3100, 3750 or 4250	125	Prm	-
61530	RDORKIT5AS/034UNVD850/24U/WH	25, 30 or 34	120-277	0-10V	>80	5000K	3100, 3750 or 4250	125	Prm	-
61531	RDORKIT5AS/045UNVD835/24U/WH	34, 38 or 45	120-277	0-10V	>80	3500K	4250, 4750 or 5600	125	Prm	-
61532	RDORKIT5AS/045UNVD840/24U/WH	34, 38 or 45	120-277	0-10V	>80	4000K	4250, 4750 or 5600	125	Prm	-
61533	RDORKIT5AS/045UNVD850/24U/WH	34, 38 or 45	120-277	0-10V	>80	5000K	4250, 4750 or 5600	125	Prm	-
61534	RDORKIT5AS/030UNVD835/14U/WH	20, 25 or 30	120-277	0-10V	>80	3500K	2500, 3125 or 3750	125	Prm	-
61535	RDORKIT5AS/030UNVD840/14U/WH	20, 25 or 30	120-277	0-10V	>80	4000K	2500, 3125 or 3750	125	Prm	-
61536	RDORKIT5AS/030UNVD850/14U/WH	20, 25 or 30	120-277	0-10V	>80	5000K	2500, 3125 or 3750	125	Prm	-
61696	RDORKIT5AS/030UNVD835/22U/WH/E	20, 25 or 30	120-277	0-10V	>80	3500K	2500, 3125 or 3750	125	Prm	Emergency Battery Back-Up
61697	RDORKIT5AS/030UNVD840/22U/WH/E	20, 25 or 30	120-277	0-10V	>80	4000K	2500, 3125 or 3750	125	Prm	Emergency Battery Back-Up
61698	RDORKIT5AS/030UNVD850/22U/WH/E	20, 25 or 30	120-277	0-10V	>80	5000K	2500, 3125 or 3750	125	Prm	Emergency Battery Back-Up
61699	RDORKIT5AS/034UNVD835/24U/WH/E	25, 30 or 34	120-277	0-10V	>80	3500K	3100, 3750 or 4250	125	Prm	Emergency Battery Back-Up
61700	RDORKIT5AS/034UNVD840/24U/WH/E	25, 30 or 34	120-277	0-10V	>80	4000K	3100, 3750 or 4250	125	Prm	Emergency Battery Back-Up
61701	RDORKIT5AS/034UNVD850/24U/WH/E	25, 30 or 34	120-277	0-10V	>80	5000K	3100, 3750 or 4250	125	Prm	Emergency Battery Back-Up
61702	RDORKIT5AS/045UNVD835/24U/WH/E	34, 38 or 45	120-277	0-10V	>80	3500K	4250, 4750 or 5600	125	Prm	Emergency Battery Back-Up
61703	RDORKIT5AS/045UNVD840/24U/WH/E	34, 38 or 45	120-277	0-10V	>80	4000K	4250, 4750 or 5600	125	Prm	Emergency Battery Back-Up
61704	RDORKIT5AS/045UNVD850/24U/WH/E	34, 38 or 45	120-277	0-10V	>80	5000K	4250, 4750 or 5600	125	Prm	Emergency Battery Back-Up
61705	RDORKIT5AS/030UNVD835/14U/WH/E	20, 25 or 30	120-277	0-10V	>80	3500K	2500, 3125 or 3750	125	Prm	Emergency Battery Back-Up
61706	RDORKIT5AS/030UNVD840/14U/WH/E	20, 25 or 30	120-277	0-10V	>80	4000K	2500, 3125 or 3750	125	Prm	Emergency Battery Back-Up
61707	RDORKIT5AS/030UNVD850/14U/WH/E	20, 25 or 30	120-277	0-10V	>80	5000K	2500, 3125 or 3750	125	Prm	Emergency Battery Back-Up

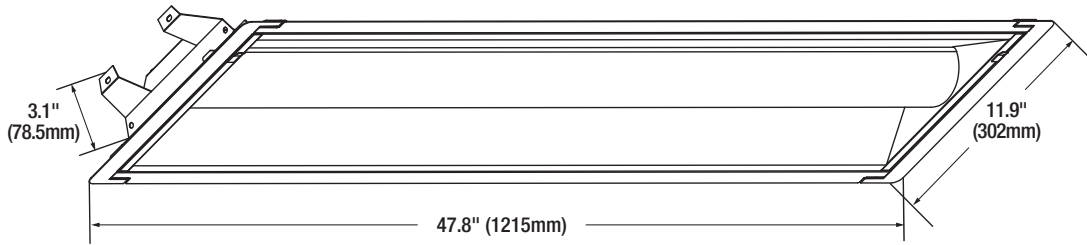
Photometric Data

		8 ft Mounting Height			10 ft Mounting Height			12 ft Mounting Height		
		On Center Luminaire Spacing								
		8'x10'	10'x10'	10'x12'	8'x10'	10'x10'	10'x12'	8'x10'	10'x10'	10'x12'
1'x4' 30W	RDORKIT5A/030UNVD835/14G/WH	46.2/1.5	38.5/1.3	34.7/1.7	45.0/1.6	37.6/1.4	33.4/1.4	43.4/1.6	36.5/1.5	32.1/1.3
	RDORKIT5A/030UNVD840/14G/WH									
	RDORKIT5A/030UNVD850/14G/WH									
	RDORKIT5A/030UNVD835/14G/WH/E									
	RDORKIT5A/030UNVD840/14G/WH/E									
RDORKIT5A/030UNVD850/14G/WH/E										
2'x2' 30W	RDORKIT5A/030UNVD835/22G/WH	44.9/1.5	37.8/1.3	33.5/1.5	43.7/1.5	36.8/1.4	32.4/1.3	42.1/1.6	35.4/1.5	31.0/1.3
	RDORKIT5A/030UNVD840/22G/WH									
	RDORKIT5A/030UNVD850/22G/WH									
	RDORKIT5A/030UNVD835/22G/WH/E									
	RDORKIT5A/030UNVD840/22G/WH/E									
RDORKIT5A/030UNVD850/22G/WH/E										
2'x4' 34W	RDORKIT5A/034UNVD835/24G/WH	51.8/1.5	43.6/1.3	38.7/1.5	50.5/1.5	42.5/1.4	37.4/1.3	48.6/1.6	40.8/1.5	35.7/1.3
	RDORKIT5A/034UNVD840/24G/WH									
	RDORKIT5A/034UNVD850/24G/WH									
	RDORKIT5A/034UNVD835/24G/WH/E									
	RDORKIT5A/034UNVD840/24G/WH/E									
RDORKIT5A/034UNVD850/24G/WH/E										
2'x4' 45W	RDORKIT5A/045UNVD835/24G/WH	71.5/1.5	60.2/1.3	53.4/1.5	69.6/1.5	58.6/1.4	51.5/1.3	67.0/1.6	56.2/1.5	49.2/1.3
	RDORKIT5A/045UNVD840/24G/WH									
	RDORKIT5A/045UNVD850/24G/WH									
	RDORKIT5A/045UNVD835/24G/WH/E									
	RDORKIT5A/045UNVD840/24G/WH/E									
RDORKIT5A/045UNVD850/24G/WH/E										

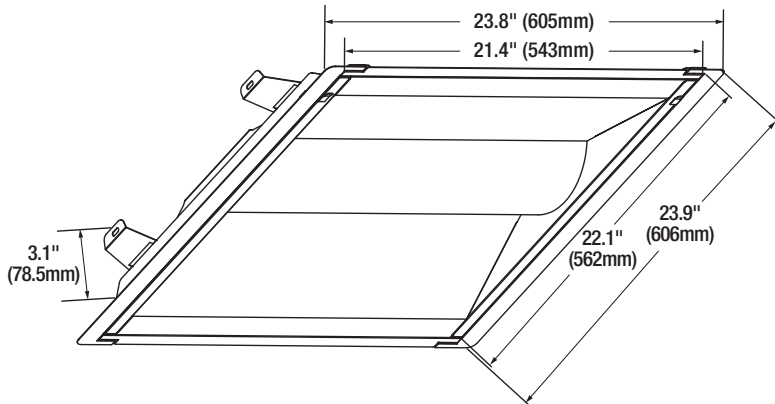
Physical Information

Luminaire Description	Length	Width	Height
1x4	47.8" (1215mm)	11.9" (302mm)	3.1" (78.5mm)
2x2	23.8" (605mm)	23.9" (606mm)	3.1" (78.5mm)
2x4	47.8" (1215mm)	23.9" (606mm)	3.1" (78.5mm)

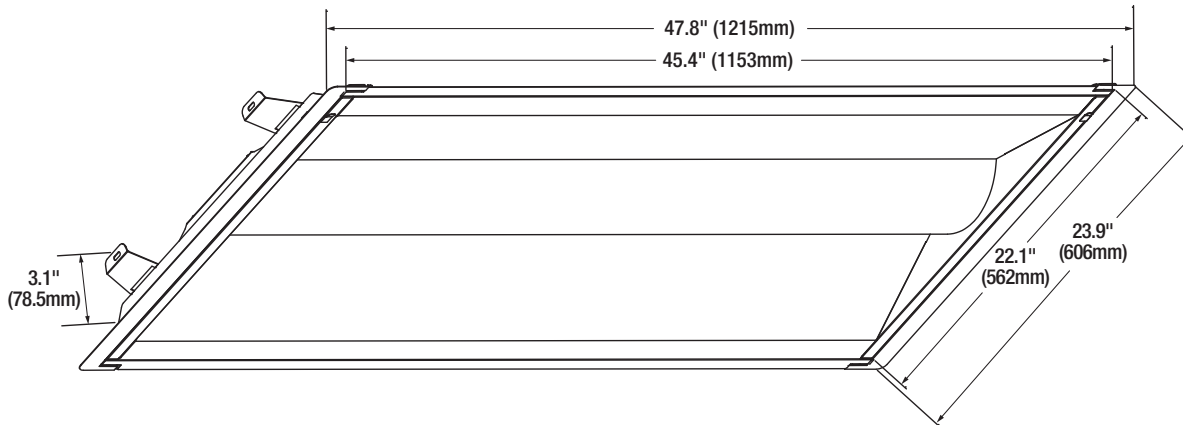
1x4



2x2



2x4



LEDVANCE LLC
 200 Ballardvale Street
 Wilmington, MA 01887 USA
 Phone 1-800-LIGHTBULB (1-800-544-4828)
 www.ledvanceUS.com

Name: _____
 Email: _____
 Phone: _____

SYLVANIA and LEDVANCE are registered trademarks.
 All other trademarks are those of their respective owners.
 Licensee of product trademark SYLVANIA in general lighting.
 Specifications subject to change without notice.

/sylvania /sylvania

