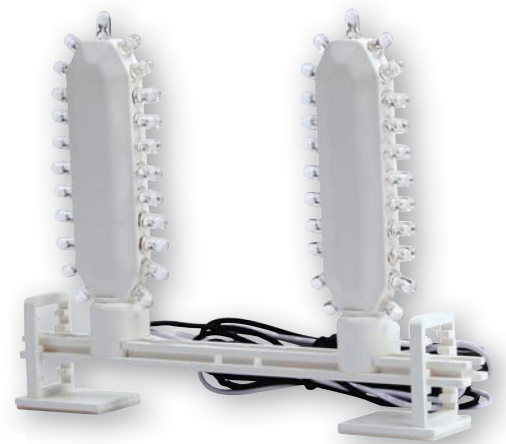


RFXTE / GFXTE

LED RETROFIT KITS



HARD WIRE RETROFIT KIT



SCREW-IN RETROFIT KIT

STANDARD



ILLUMINATION

- Kits easily convert incandescent exit signs to energy efficient LED EXIT signs.
- Ultra bright, energy efficient, long lasting Red or Green LEDs provide uniform illumination.

ELECTRICAL

Hard wire:

- Dual 120/277 voltage.
- Energy usage of 2.8W per kit.

Screw-in:

- 120 voltage only.
- Energy usage of 2.8W per kit.

	INCANDESCENT	GREEN LED KIT	RED LED KIT
EXIT Energy Use	30W (15W lamp x 2)	1.4W (0.7W LED's x 2)	(2.8W (1.4W LED's x 2)
"ON" Hours / Year	8760	8760	8760
Price / Kilowatt Hour	\$0.12	\$0.12	\$0.12
Energy Usage / Year	262,800 Watts	12,264 Watts	24,528 Watts
Annual Cost	\$ 31.54	\$ 1.48	\$ 2.94
Watt Savings / Year		250,536	238,272
Annual Savings		\$ 30.06	\$ 28.60

* Example based on 12¢/KWhr

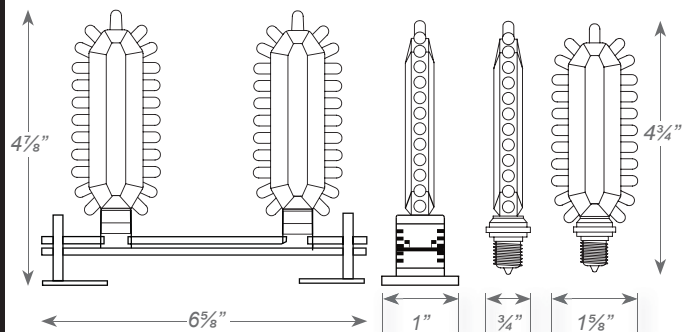
MOUNTING

- Hard wire kits come complete with mounting bracket and double-sided tape for easy installation.
- Screw-in kits are supplied with socket adapters for installation in signs with bayonet, intermediate or candelabra bases.

WARRANTY / LISTING

- Five year warranty.
- Meets UL924, NFPA 101 Life Safety Code, NEC, OSHA, Local and State Code.

DIMENSIONS



ORDERING INFORMATION

Sample Part Number: RFXTE3

MODEL	KIT
RFXTE1	Red Hardware Kit
GFXTE1	Green Hardware Kit
RFXTE3	Red Screw-in Kit
GFXTE3	Green Screw-in Kit

ACCESSORIES

RFXTE / GFXTE