

FEATURES & SPECIFICATIONS

CONSTRUCTION — Suitable for operating loads up to 50W.

36V max output, 1400 MA max current.

0-10V dimming standard.

Ambient to -30° C to 50° C (-22° F to 122° F).

Input voltage: 120-277V, 50Hz or 60Hz.

50,000-hour design life.

Class 2 output UL recognized to UL and CSA requirements.

ELECTRICAL —

Suitable for dry and damp locations.

High power factor: 0.9 minimum.

Rated input current 1.5

LISTINGS — Driver shall be Underwriters Laboratory Recognized.

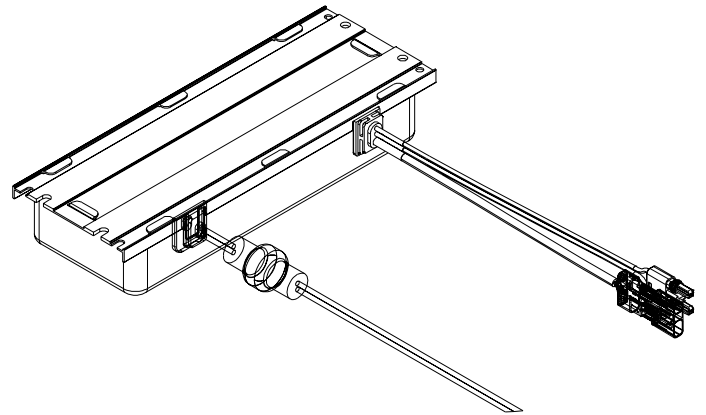
WARRANTY — Driver shall carry a five-year warranty.

Note: Specifications subject to change without notice.

Catalog Number
Notes
Type

Electronic Driver

ACCU-DRIVE™ D50 RL9418S MVOLT



REPLACEMENT DRIVER ORDERING INFORMATION

RK2 LEDDRIVER MVOLT 700mA D50 RL9418S U

