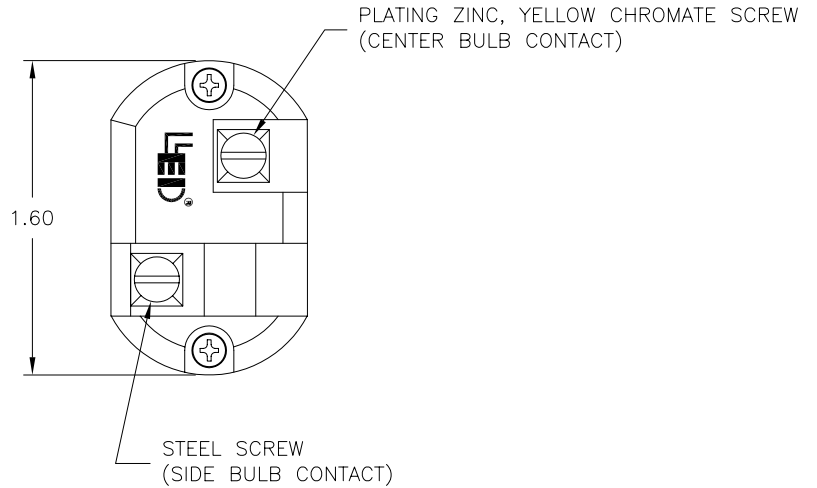
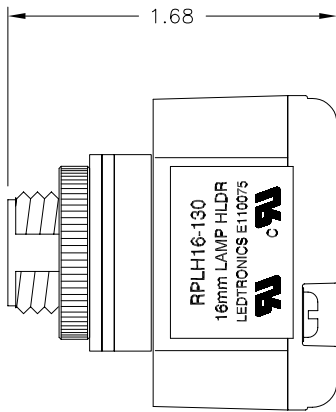
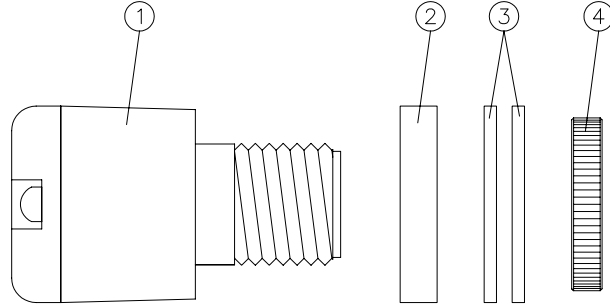


LTR	REVISION	DATE	APPD
A	121809-PL01: IDENTIFIED SCREWS	12-18-09	GP



BILL OF MATERIALS

ITEM	DESCRIPTION	QTY
1	LAMPHOLDER (RYNITE FR530 [UL94V0]) WITH (2) 2.7K, 2 WATT METAL FILM RES.	1
2	WASHER ϕ 1.0X.188 (NEOPRENE) OPTIONAL	1
3	WASHER ϕ 1.0X.063 (NEOPRENE) OPTIONAL	2
4	NUT (ALUMINUM 6061T6)	1



REVISION NOTIFICATION	
<input type="checkbox"/>	PMA
<input type="checkbox"/>	UL
<input type="checkbox"/>	CUSTOMER _____
<input type="checkbox"/>	OTHER

LED[®]
LEDTRONICS,™ INC.
23105 KASHIWA COURT
TORRANCE, CA 90505

-PROPRIETARY-
This document contains Proprietary information of LEDTRONICS,™ INC. It may not be copied, used or disclosed for any purpose without the prior express written consent of LEDTRONICS,™ INC.
 .XXX ± .010 TOLERANCE PER ANSI-Y14.5
 .XX ± .025 (UNLESS OTHERWISE STATED)
 ANGLES ± 0°,30'
 FRACT. ± 1/32

TITLE RPLH16-02					
DWG NO H1602006		SCALE 1:1		SHEET 1 OF 1	
DATE 09-17-98		MFG		R&D	
CODE IDENT NO. 8Z410	DWG BY SMA 09-17-98	CHK BY PL 12-18-09	QA		