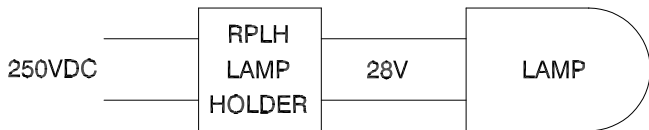


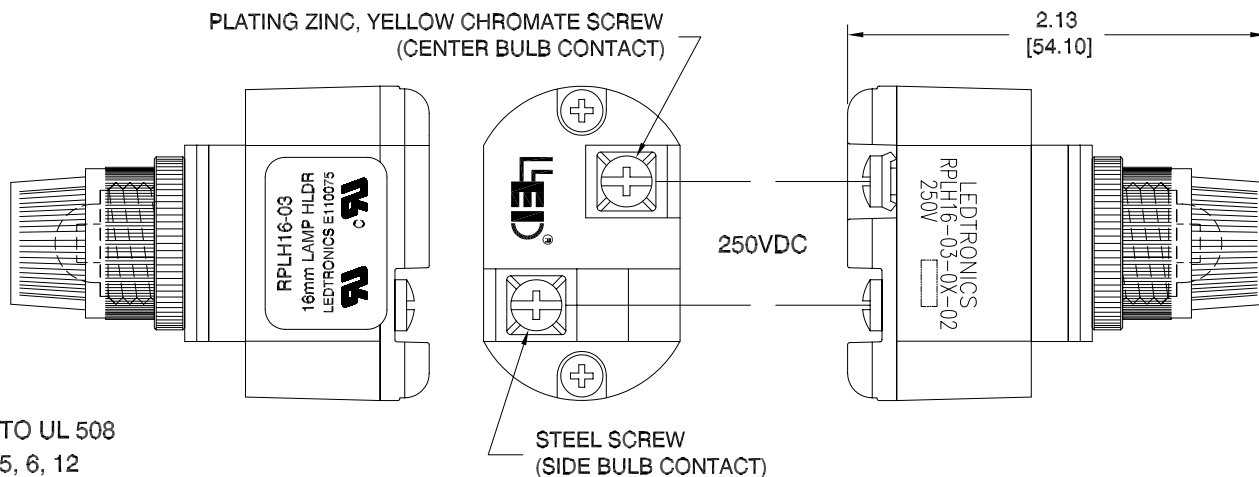
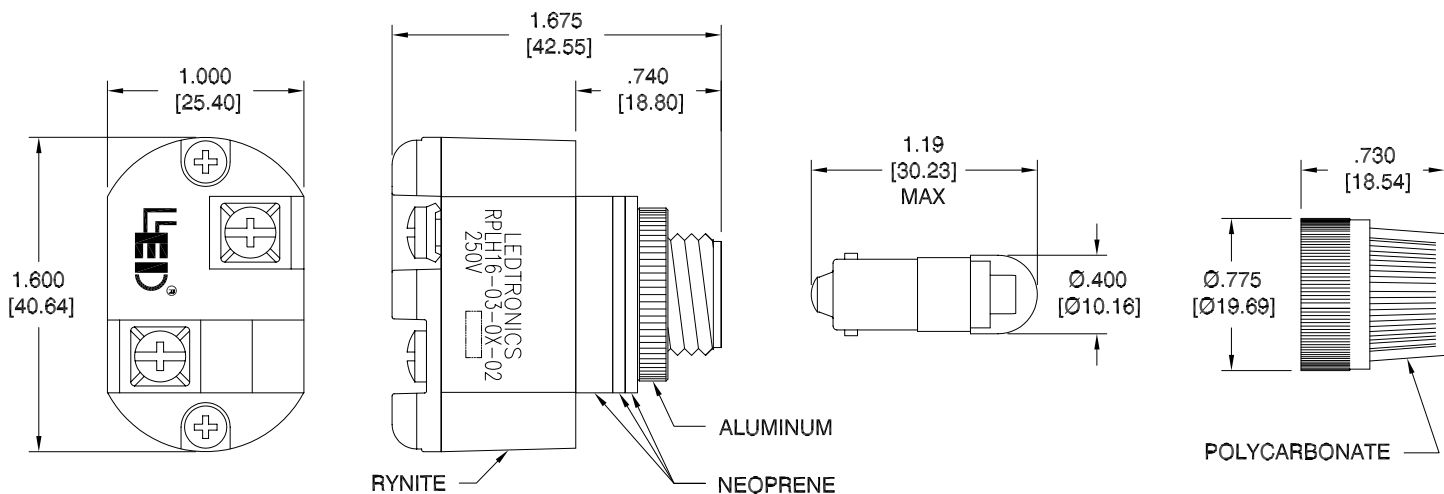
LTR	REVISION	DATE	APPD
C	080117-GP01: ADDED WEIGHT TO NOTES	08-01-17	GP



LAMP HOLDER SERIES - RPLH16-03

LED LAMP SERIES - RPLB-020X

LENS - RPLL16-XXF



- COMPARABLE TO UL 508
- NEMA 3, 4, 4X, 5, 6, 12

NOTES:

1. ALL DIMENSIONS ARE IN INCHES [MILLIMETERS].
2. MOUNTING HOLE SIZE: Ø5/8" [Ø16mm]
3. WEIGHT: 0.075 lbs. / 1.2 oz.

RPLH16-03-0X-02



ELECTRICAL / OPTICAL CHARACTERISTICS (Ta = 25°C)

RPLH16-03-01-02	250Vdc	0.010 A	-	635	RED	RPLH16-03	RPLB-0201-28V	RPLL16-CRF
RPLH16-03-02-02	250Vdc	0.010 A	-	610	AMBER	RPLH16-03	RPLB-0203-28V	RPLL16-CAF
RPLH16-03-03-02	250Vdc	0.010 A	-	595	YELLOW	RPLH16-03	RPLB-0204-28V	RPLL16-CYF
RPLH16-03-04-02	250Vdc	0.010 A	-	519	GREEN	RPLH16-03	RPLB-0206-28V	RPLL16-CGF
RPLH16-03-05-02	250Vdc	0.010 A	-	462	BLUE	RPLH16-03	RPLB-0208-28V	RPLL16-CBF
RPLH16-03-06-02	250Vdc	0.010 A	-	8000K	WHITE	RPLH16-03	RPLB-0209-28V	RPLL16-TWF
RPLH16-03-07-02	250Vdc	0.010 A	-	8000K	CLEAR	RPLH16-03	RPLB-0210-28V	RPLL16-CWF

LEDTRONICS PART NO.	INPUT VOLTAGE, V	CURRENT (A)	POWER (W)	λ P nm COLOR TEMP. (K)	COLOR EMITTED	LAMP HOLDER PART NO.	LED LAMP PART NO.	LENS PART NO.
---------------------	------------------	-------------	-----------	---------------------------	---------------	----------------------	-------------------	---------------



-PROPRIETARY-
 This document contains Proprietary information of LEDTRONICS, INC. It may not be copied, used or disclosed for any purpose without the prior express written consent of LEDTRONICS, INC.

.XXX ± .010 TOLERANCE PER ANSI-Y14.5
 .XX ± .025 (UNLESS OTHERWISE STATED)
 ANGLES ± 0°,30'
 FRACT. ± 1/32

TITLE RPLH16-03-0X-02					
DWG NO H1602004-INT		SCALE 1:1	SHEET 1 OF 1	DATE 03-29-11	
CODE IDENT NO. 8Z410	DWG BY GP 03-29-11	CHK BY	QA EE 08-09-17	MFG LD 08-09-17	R&D LUV 08-09-17