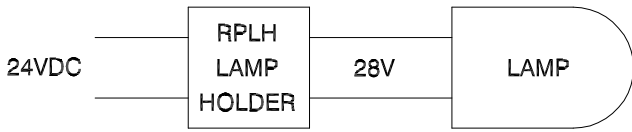


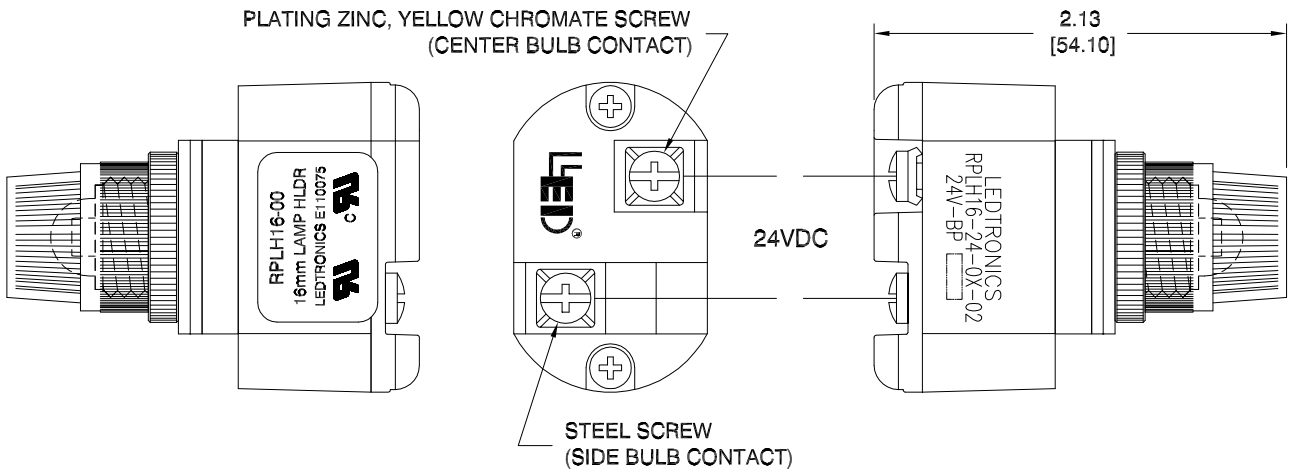
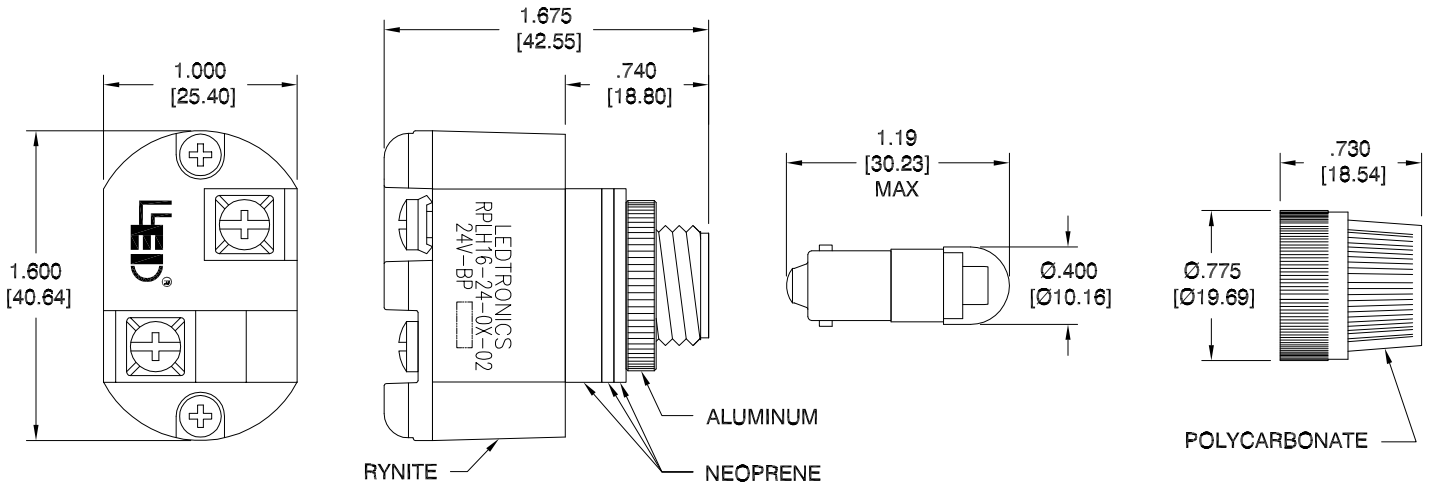
LTR	REVISION	DATE	APPD
B	012721-GP02: REMOVED NOTATIONS	01-27-21	GP



LAMP HOLDER SERIES - RPLH16-00

LED LAMP SERIES - BF320-0XX-028B

LENS - RPLL16-XXF



RPLH16-24-0X-02

NOTES:

1. ALL DIMENSIONS ARE IN INCHES [MILLIMETERS].
2. MOUNTING HOLE SIZE: Ø5/8" [Ø16mm]
3. WEIGHT: 0.075 lbs. / 1.2 oz.



ELECTRICAL / OPTICAL CHARACTERISTICS (Ta = 25°C)

RPLH16-24-01-02	24Vdc	0.017 A	0.408 W	635	RED	RPLH16-00	BF320-OUR-028B	RPLL16-CRF
RPLH16-24-02-02	24Vdc	0.017 A	0.408 W	610	AMBER	RPLH16-00	BF320-OUO-028B	RPLL16-CAF
RPLH16-24-03-02	24Vdc	0.017 A	0.408 W	595	YELLOW	RPLH16-00	BF320-OUY-028B	RPLL16-CYF
RPLH16-24-04-02	24Vdc	0.013 A	0.312 W	519	GREEN	RPLH16-00	BF320-OAG-024B	RPLL16-CGF
RPLH16-24-05-02	24Vdc	0.013 A	0.312 W	462	BLUE	RPLH16-00	BF320-OPB-028B	RPLL16-CBF
RPLH16-24-06-02	24Vdc	0.013 A	0.312 W	8000K	WHITE	RPLH16-00	RPLB-0209-28V	RPLL16-TWF
LEDTRONICS PART NO.	INPUT VOLTAGE, V	CURRENT (A)	POWER (W)	λP nm COLOR TEMP. (K)	COLOR EMITTED	LAMP HOLDER PART NO.	LED LAMP PART NO.	LENS PART NO.

-PROPRIETARY-
 This document contains Proprietary information of LEDTRONICS, INC. It may not be copied, used or disclosed for any purpose without the prior express written consent of LEDTRONICS, INC.

.XXX ± .010 TOLERANCE PER ANSI-Y14.5
 .XX ± .025 (UNLESS OTHERWISE STATED)
 ANGLES ± 0°,30'
 FRACT. ± 1/32

TITLE RPLH16-24-0X-02					
DWG NO H1602008-INT	SCALE 1:1	SHEET 1 OF 1	DATE 08-01-17		
CODE IDENT NO. 8Z410	DWG BY GP 08-01-17	CHK BY	QA SB 01-28-21	MFG LD 01-27-21	R&D LUV 01-27-21