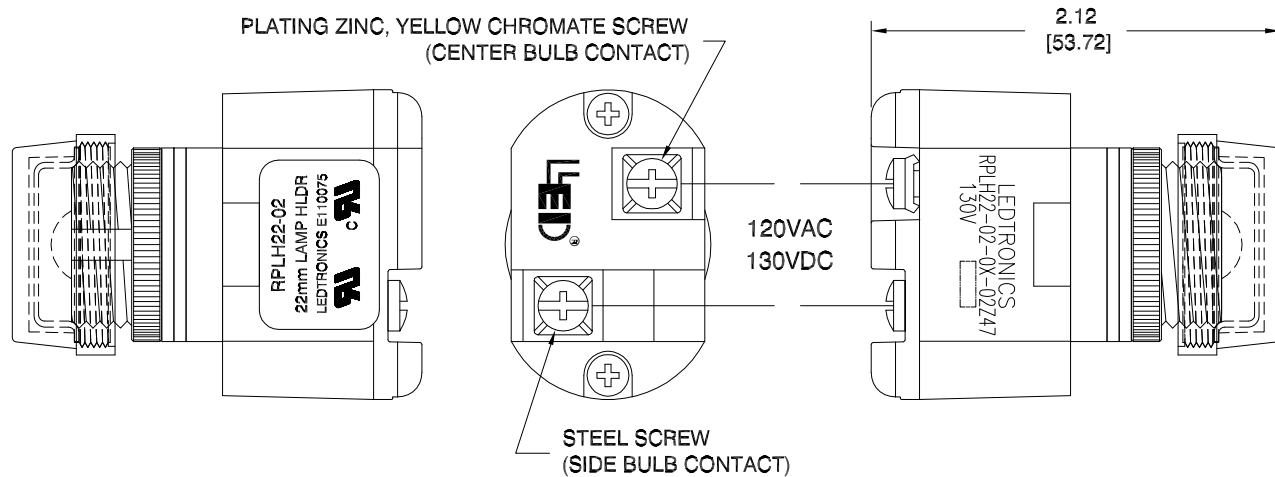
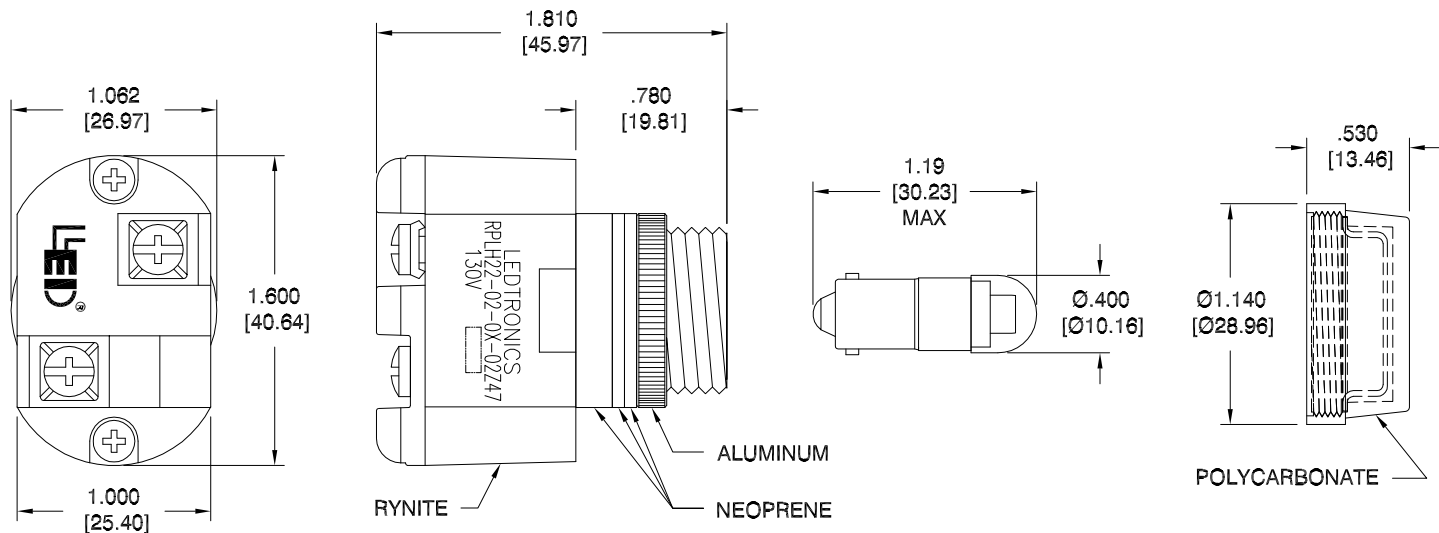


LTR	REVISION	DATE	APPD
C	012721-GP02: REMOVED NOTATIONS	01-27-21	GP

LAMP HOLDER SERIES - RPLH22-02

LED LAMP SERIES - RPLB-020X

LENS - RPLL22-CXF



RPLH22-02-0X-02Z47

NOTES:

1. ALL DIMENSIONS ARE IN INCHES [MILLIMETERS].
2. MOUNTING HOLE SIZE: Ø7/8" [Ø22mm]
3. WEIGHT: 0.087 lbs. / 1.4 oz.



ELECTRICAL / OPTICAL CHARACTERISTICS (Ta = 25°C)

RPLH22-02-01-02Z47	130Vdc/120Vac	50Vdc Min.	0.010 A	1.3W	635	RED	RPLH22-02	RPLB-0201-130V47Z	RPLL22-CRF
RPLH22-02-02-02Z47	130Vdc/120Vac	50Vdc Min.	0.010 A	1.3W	610	AMBER	RPLH22-02	RPLB-0203-130V47Z	RPLL22-CAF
RPLH22-02-03-02Z47	130Vdc/120Vac	50Vdc Min.	0.010 A	1.3W	595	YELLOW	RPLH22-02	RPLB-0204-130V47Z	RPLL22-CYF
RPLH22-02-04-02Z47	130Vdc/120Vac	50Vdc Min.	0.010 A	1.3W	519	GREEN	RPLH22-02	RPLB-0206-130V47Z	RPLL22-CGF
RPLH22-02-05-02Z47	130Vdc/120Vac	50Vdc Min.	0.010 A	1.3W	462	BLUE	RPLH22-02	RPLB-0208-130V47Z	RPLL22-CBF
RPLH22-02-06-02Z47	130Vdc/120Vac	50Vdc Min.	0.010 A	1.3W	8000K	WHITE	RPLH22-02	RPLB-0209-130V47Z	RPLL22-TWF
LEDTRONICS PART NO.	INPUT VOLTAGE	TURN ON VOLTAGE	CURRENT (A) @130Vdc	POWER (W) @130Vdc	λ P nm COLOR TEMP. (K)	COLOR EMITTED	LAMP HOLDER PART NO.	LED LAMP PART NO.	LENS PART NO.

LED[®]
LEDTRONICS,™ INC.
23105 KASHIWA COURT
TORRANCE, CA 90505

-PROPRIETARY-
This document contains Proprietary information of LEDTRONICS,™ INC. It may not be copied, used or disclosed for any purpose without the prior express written consent of LEDTRONICS,™ INC.

.XXX ± .010 TOLERANCE PER ANSI-Y14.5
.XX ± .025 (UNLESS OTHERWISE STATED)
ANGLES ± 0°,30'
FRACT. ± 1/32

TITLE						RPLH22-02-0X-02Z47			
DWG NO		SCALE		SHEET		DATE			
H2202007-INT		1:1		1 OF 1		09-24-10			
CODE IDENT NO.	DWG BY GP	CHK BY	QA SB	MFG LD	R&D LUV				
8Z410	09-24-10		01-28-21	01-27-21	01-27-21				