

LED 6" & 8" COMMERCIAL RECESSED RETROFIT DOWNLIGHT ECONOMIC SERIES



PRODUCT DESCRIPTION:

The ENERGY STAR qualified eight-inch ECO Series LED Recessed Retrofit Downlight combines low up-front cost, minimal labor, best-in-class energy efficiency, and architectural-quality light to deliver an exceptional value for customers.

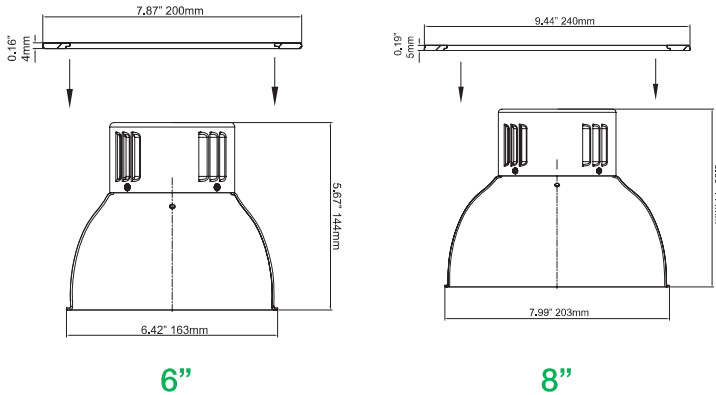
The ECO Series retrofit offers out-of-the-box dimming compatibility using 0-10-volt controls and features a one-piece design that is quick and easy to install into existing recessed frames.

FEATURES:

- Universal voltage (120V-277V)
- Mounts into existing recessed frame
- Supplied with optional retaining clips if existing frame does not have adequate friction springs to secure reflector
- cULus listed for damp location use
- CRI: ≥80
- PF: ≥0.9
- Dimmable 0-10V to 10%
- Five year limited warranty

CONSTRUCTIONS:

- Supplied with an aluminum reflector in a haze finish
- External driver for easy retrofit and maintenance



MODEL SELECTION (Full list of order codes on pg. 2)		Typical order example: RRECO82440W/V2				
RRECO				W	/V2	
FAMILY		SIZE	WATTAGE (NOMINAL)	CCT	TRIM	VERSION
RRECO=	Commercial Recessed Retrofit Downlight Economic Series	6= 6"	12= 12W 18= 18W 27= 27W	30= 3000K 40= 4000K	W= White	V2= Version 2
		8= 8"	12= 12W 18= 18W 24= 24W 40= 40W			

SPECIFICATIONS:

ITEM	SPECIFICATION	RRECO61230	RRECO61240	RRECO61830	RRECO61840	RRECO62730	RRECO62740
		W/V2	W/V2	W/V2	W/V2	W/V2	W/V2
GENERAL PERFORMANCE	Power Consumption (W)	11	11	17	17	26	26
	Lumens Delivered (lm)	940	980	1,334	1,462	2,229	2,273
	Efficacy (lm/W)	88	92	81	86	86	88
	CRI	≥80					
	Color Temperature (K)	3000, 4000 (Additional CCT available, contact MaxLite for info.)					
	L70 Lifetime (Hours)	50,000					
	Color Consistency	Proprietary binning for uniform color					
ELECTRICAL	Power Factor	≥0.9					
	Input Voltage	120-277V					
	Compatible Dimmers	Designed to be compatible with 0-10V dimmers					
PHYSICAL	Weight	2 lbs					
	Mounting	Mounts into existing recessed frame					
	Operating Temperature	-4°F to 104°F					
	Humidity	20-85% RH, non-condensing					
CERTIFICATION	Certification	Energy Star, cULus, FCC					
	Material Usage	RoHS compliant; no mercury					
	Environment	Damp, Indoor					
	Warranty	5 years					

ITEM	SPECIFICATION	RRECO81230	RRECO81240	RRECO81830	RRECO81840	RRECO82430	RRECO82440	RRECO84030	RRECO84040
		W/V2	W/V2	W/V2	W/V2	W/V2	W/V2	W/V2	W/V2
GENERAL PERFORMANCE	Power Consumption (W)	11	11	17	17	23	23	38	38
	Lumens Delivered (lm)	1,030	1,060	1,542	1,568	2,064	2,097	3,254	3,310
	Efficacy (lm/W)	96	99	93	92	89	90	85	86
	CRI	≥80							
	Color Temperature (K)	3000, 4000 (Additional CCT available, contact MaxLite for info.)							
	L70 Lifetime (Hours)	50,000							
	Color Consistency	Proprietary binning for uniform color							
ELECTRICAL	Power Factor	≥0.9							
	Input Voltage	120-277V							
	Compatible Dimmers	Designed to be compatible with 0-10V dimmers							
PHYSICAL	Weight	2 lbs							
	Mounting	Mounts into existing recessed frame							
	Operating Temperature	-4°F to 104°F							
	Humidity	20-85% RH, non-condensing							
CERTIFICATION	Certification	Energy Star, cULus, FCC							
	Material Usage	RoHS compliant; no mercury							
	Environment	Damp, Indoor							
	Warranty	5 years							

ORDERING:

ORDER CODE	MODEL	DESCRIPTION
1408678	RRECO61230W/V2	ECO SERIES COMMERCIAL DOWNLIGHT 6" 12W 3000K WHITE TRIM VERSION 2
1408357	RRECO61240W/V2	ECO SERIES COMMERCIAL DOWNLIGHT 6" 12W 4000K WHITE TRIM VERSION 2
1408679	RRECO61830W/V2	ECO SERIES COMMERCIAL DOWNLIGHT 6" 17W 3000K WHITE TRIM VERSION 2
1408360	RRECO61840W/V2	ECO SERIES COMMERCIAL DOWNLIGHT 6" 17W 4000K WHITE TRIM VERSION 2
1408680	RRECO62730W/V2	ECO SERIES COMMERCIAL DOWNLIGHT 6" 27W 3000K WHITE TRIM VERSION 2
1408673	RRECO62740W/V2	ECO SERIES COMMERCIAL DOWNLIGHT 6" 27W 4000K WHITE TRIM VERSION 2
1408681	RRECO81230W/V2	ECO SERIES COMMERCIAL DOWNLIGHT 8" 12W 3000K WHITE TRIM VERSION 2
1408365	RRECO81240W/V2	ECO SERIES COMMERCIAL DOWNLIGHT 8" 12W 4000K WHITE TRIM VERSION 2
1409589	RRECO81830W/V2	ECO SERIES COMMERCIAL DOWNLIGHT 8" 17W 3000K WHITE TRIM VERSION 2
1408368	RRECO81840W/V2	ECO SERIES COMMERCIAL DOWNLIGHT 8" 17W 4000K WHITE TRIM VERSION 2
1408682	RRECO82430W/V2	ECO SERIES COMMERCIAL DOWNLIGHT 8" 24W 3000K WHITE TRIM VERSION 2
1408676	RRECO82440W/V2	ECO SERIES COMMERCIAL DOWNLIGHT 8" 24W 4000K WHITE TRIM VERSION 2
1408683	RRECO84030W/V2	ECO SERIES COMMERCIAL DOWNLIGHT 8" 40W 3000K WHITE TRIM VERSION 2
1408374	RRECO84040W/V2	ECO SERIES COMMERCIAL DOWNLIGHT 8" 40W 4000K WHITE TRIM VERSION 2

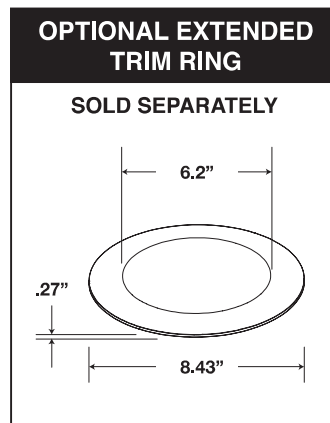
ACCESSORIES:

ORDER CODE	MODEL	DESCRIPTION
72832	RR6-XWHTRING	6" White Trim Ring
74087	RR6-BNRING	6" Brushed Nickel Trim Ring
74088	RR8-BNRING	8" Brushed Nickel Trim Ring
73833	EBUDV487D145A	Field Installable Battery Backup- Provides at least 500 lumens for 90 minutes

*Please contact your MaxLite representative to order products that don't have order codes listed here.

(Additional CCT available, contact MaxLite for info.)

6" Trim Ring (Sold Separately)



8" Trim Ring (Sold Separately)

