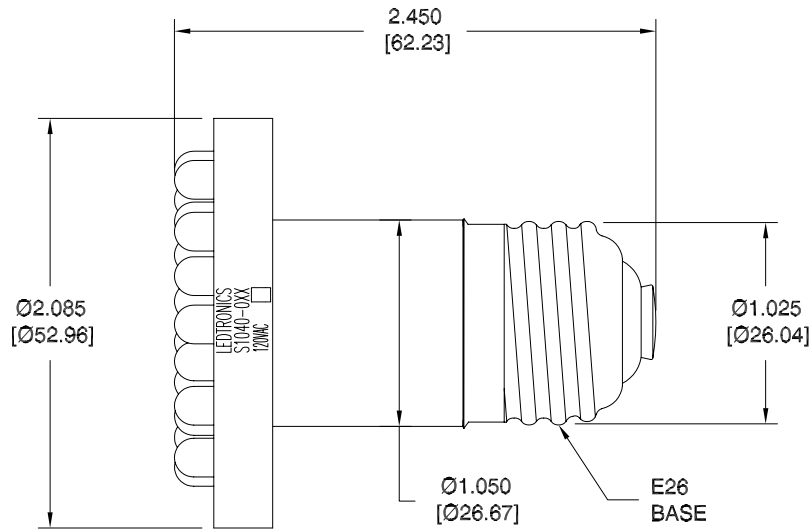


LTR	REVISION	DATE	APPD
-	RELEASED	09-22-11	



NOTES:

1. ALL DIMENSIONS ARE IN INCHES [MILLIMETERS].
2. SLEEVE MATERIAL: RYNITE
3. BASE MATERIAL: BRASS, NICKEL PLATED BRASS

REVISION NOTIFICATION

- PMA
- UL
- MADE IN USA
- CUSTOMER _____
- OTHER

S1040-0AG-120AN	AQUA GREEN	120VAC	25-35	680 cd	127 lm	521	-	15°
S1040-0ER-120AS	SUPER RED	120VAC	25-35	160 cd	61 lm	636	-	22°
S1040-0PB-120AN	SUPER BLUE	120VAC	25-35	-	-	461	-	15°
S1040-XCW-120AS	COOL WHITE	120VAC	25-35	480 cd	120 lm	-	8000K	17°
S1040-XIW-120AM	WARM WHITE	120VAC	25-35	195 cd	102 lm	-	3000K	40°
S1040-XIW-120AS	WARM WHITE	120VAC	25-35	420 cd	120 lm	-	3000K	17°
S1040-XPW-120AM	PURE WHITE	120VAC	25-35	195 cd	126 lm	-	4500K	40°
LEDTRONICS PART NO.	COLOR EMITTED	INPUT VOLTAGE, V	READ mA min/max	MAXIMUM CANDELA	TOTAL LUMENS	λP nm	COLOR TEMP. (Kelvin)	VIEWING ANGLE @ 50% INTENSITY
ELECTRICAL TEST								

LED[®]
LEDTRONICS, INC.[™]
 23105 KASHIWA COURT
 TORRANCE, CA 90505

-PROPRIETARY-
 This document contains Proprietary information of LEDTRONICS, INC. It may not be copied, used or disclosed for any purpose without the prior express written consent of LEDTRONICS, INC.

.XXX ± .010 TOLERANCE PER ANSI-Y14.5 (UNLESS OTHERWISE STATED)
 .XX ± .025
 ANGLES ± 0°,30'
 FRACT. ± 1/32

TITLE					
S1040-XXX-120AX					
DWG NO	SCALE	SHEET	DATE		
S1040-120VAC	1:1	1 OF 1	09-22-11		
CODE IDENT NO.	DWG BY	CHK BY	QA	MFG	R&D
8Z410	GP 09-22-11	PL 09-23-11			BJ 09-22-11