

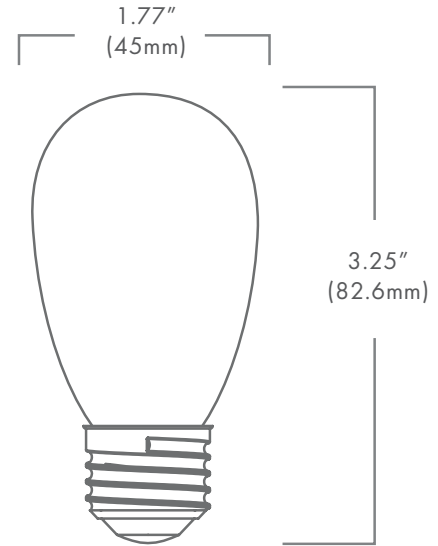
# S14 EDGE FILAMENT

## DESCRIPTION

The Brilliance S14 Edge Filament is designed specifically for use in both open outdoor and indoor fixtures where precision lighting and high color rendering is desired. This lamp is ideal for inverted bistro style lighting.

## FEATURES

- Clear, omni-directional light source
- Elegant, exposed filament design
- Dimmable
- UL & FCC compliant
- UL listed



Wattage	<b>2</b> <small>(2700K only)</small> , <b>3.5</b>
Lumens	<b>120, 245</b>
Kelvin Temperature	<b>2200, 2700, 3000</b>
Operating Range	<b>110-130 VAC</b>
CRI	<b>95</b>
IP	<b>64</b>
Lamp Life (hours)	<b>30,000</b>
Warranty (years)	<b>3</b>

Part Number: **S14-FIL-EDGE-X-XXXX-120**

| |  
Wattage Kelvin

