

S250MLTAC4M

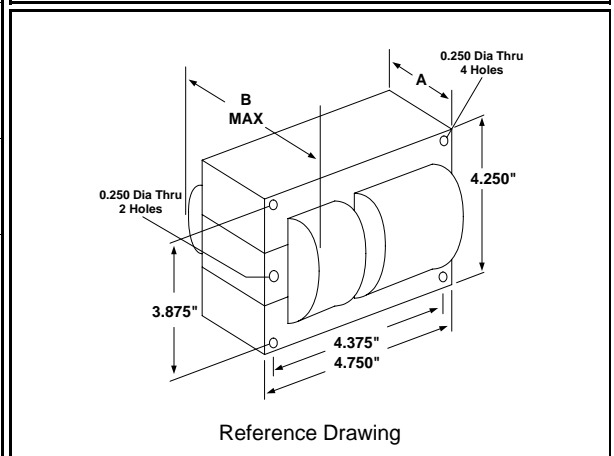
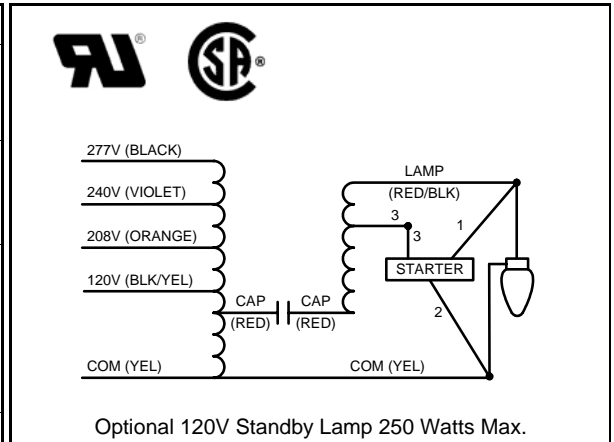
250W S50

High Pressure Sodium

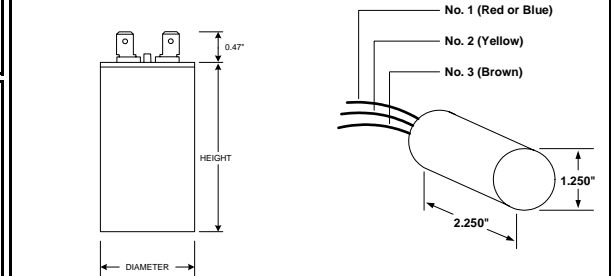
60Hz CWA

Specification Sheet

Input Volts	120	208	240	277
Regulation				
Line Volts	±10%	±10%	±10%	±10%
Lamp Watts	±10%	±10%	±10%	±10%
Power Factor (min)	90%	90%	90%	90%
Input Watts	295 W	295 W	295 W	295 W
NOM. Open Circuit Voltage	190 V	190 V	190 V	190 V
Line Current (Amps)				
Operating	2.50	1.45	1.25	1.10
Open Circuit	1.30	0.70	0.65	0.55
Starting	2.00	1.20	1.00	0.85
Recommended Fuse (Amps)	7	4	4	3
Lamp Dropout Voltage (Line)	90 V	160 V	180 V	210 V
UL Temperature Ratings				
Insulation Class	H (180°C)	H (180°C)	H (180°C)	H (180°C)
Temperature Code	B	B	B	B
MIN. Starting Temperature	-40°F -40°C	-40°F -40°C	-40°F -40°C	-40°F -40°C
CAPACITOR Specifications				
Microfarads	35 uf	35 uf	35 uf	35 uf
Volts (min.)	240 V	240 V	240 V	240 V
60Hz Test Procedures				
High Potential Test 1 Minute	2000 V	2000 V	2000 V	2000 V
High Potential Test 1 Second	2500 V	2500 V	2500 V	2500 V
Secondary Open Ckt Voltage (V)	170 - 210	170 - 210	170 - 210	170 - 210
Secondary Current Shorted (A)	3.75 - 4.60	3.75 - 4.60	3.75 - 4.60	3.75 - 4.60
Input Operating Current (A)	2.25 - 2.75	1.30 - 1.60	1.10 - 1.40	1.00 - 1.20
Input Open Circuit Current (A)	0.65 - 1.90	0.35 - 1.00	0.35 - 0.90	0.30 - 0.80
Input Short Circuit Current (A)	1.55 - 2.30	0.90 - 1.35	0.80 - 1.15	0.65 - 1.00
Core and Coil Specifications				
Dimension A	1.80 in	1.80 in	1.80 in	1.80 in
Dimension B	3.55 in	3.55 in	3.55 in	3.55 in
Weight	10.0 lbs	10.0 lbs	10.0 lbs	10.0 lbs
Lead Lengths (inches)	12-14	12-14	12-14	12-14
Coil Material (Pri. / Sec.):	Cu / Al	Cu / Al	Cu / Al	Cu / Al



Capacitor: R17058531	Ignitor: HPS400-3A
Max Case Temp: 100 °C	Max Case Temp 105 °C
Height: 3.82 in	BTL: 10 ft
Width / Diameter: 1.65 in	



Oil Cap. - P/N 005-1421-MF Consult Catalog for Specs.

Document #:	010-11949-01
Date:	11/17/2008
Status:	Production
Replaces Catalog #:	New Design

Data is based upon tests performed by Universal Lighting Technologies in a controlled environment and is representative of relative performance. Actual performance may vary depending on operating conditions. Specifications are subject to change without notice.