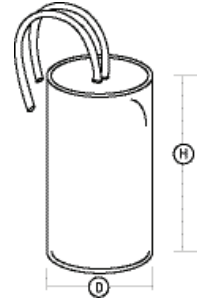


### ProLume. High Pressure Sodium Ballast Specifications

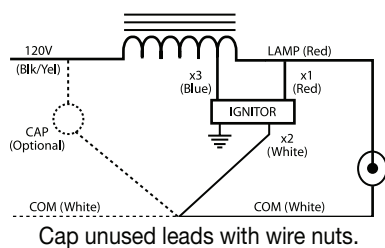
BALLAST SPECIFICATIONS	
Input Volts	120V
Frequency	60Hz
Circuit Type	R-HPF
Input Power	168W
Starting Current	1.8A
Operating Current	3.1A
Open Circuit Current	2.5A
Recommended Fuse	6A
Open Circuit Volts	120V
Short Circuit Current (Input)	1.0-3.3A
Short Circuit Current (Secondary)	3.5-5.4A
Insulation System	Class N, 200°C
UL 1029 Bench Top Rise Code	A
Min. Starting Temp	-22°F / -30°C

#### CAPACITOR\*

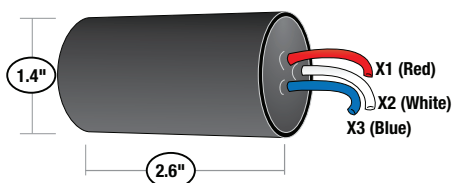


Diameter: 1.77"  
 Height: 4.6"  
 Cap.: 55µF  
 Minimum Volts: 120V  
 Case Max. Temp.: 150°C  
 \*Capacitor is optional and not included

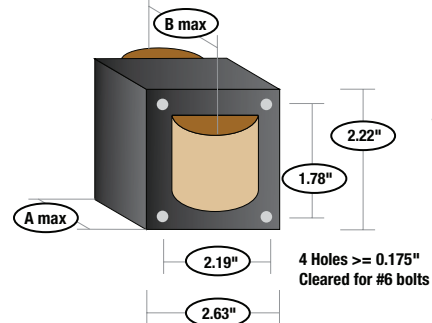
#### WIRING DIAGRAM



#### IGNITOR



#### BALLAST DIMENSIONS



Dim. (A): 2.36"  
 Dim. (B): 3.54"  
 Weight: 3.25 lbs  
 Lead Length: 12"

Actual performance can vary depending on operating conditions. Specifications are subject to change without notice. All specifications are nominal unless otherwise noted.