



# NLC Snap-In PIR Motion Sensor - Bluetooth® Mesh

## HIGHLIGHTS

- Snap-in PIR Motion Sensor for Network Lighting Controls (NLC) using SIG Qualified Bluetooth® mesh
- Designed for use with EiKO Snap-in receptacles for quick and easy installation in the field
- The Web App powered by Silviar is used for optional offsite pre-planning which includes setting up areas/grouping/zoning (pre-commissioning not required) and creating profiles (includes setting high and low end trim, occupancy or vacancy, daylight harvesting and time delay)
- No hubs, gateway, or routers are required to make a complete mesh network. The unit can pair with an iOS App to allow initial setup and subsequent adjustments.
- Easily incorporate additional BLE devices like wall/wireless controllers, sensors, fixture controllers, range extenders, and timekeepers
- Over-the-air Firmware upgrade available via iOS App
- A device that is part of EiKO's NLC System

## CERTIFICATIONS

- cULus Listed for Damp Locations
- IP20 Rated
- FCC Compliant
- RoHS Compliant

## PERFORMANCE

- Onboard Omnidirectional Antenna
- Operational frequency: 2.4 GHz - 2.483 GHz
- Communication range of Max 65ft\*
- 360° Coverage Pattern
- Continuous and Bi-Level Dimming

## ELECTRICAL

- Input voltage: 12-24VDC
- Input current: 50mA
- 0-10V Dimming

## THERMAL

- 32°F to 113°F (-0°C to 45°C) operating temperature

## CONSTRUCTION

- White plastic housing
- Snap-in installation

## COMPATIBILITY

- Fixtures: CSX1, CSXR1, VL1, and VLR1; Factory MOD: VOLR and STR

## WARRANTY

- 5-Year limited warranty available [online](#). Contact your EiKO sales rep for additional details.

## AVAILABLE MODEL

| ORDER CODE | ITEM #    | INPUT VOLTAGE | SENSOR TECHNOLOGY | DAYLIGHT HARVESTING | WIRELESS TECHNOLOGY | DIMMING | MOUNTING HEIGHT | COMMUNICATION RANGE* | INSTALLATION TYPE |
|------------|-----------|---------------|-------------------|---------------------|---------------------|---------|-----------------|----------------------|-------------------|
| 13245      | SENA-WHPA | 12-24VDC      | PIR               | Yes                 | Bluetooth® SIG Mesh | 0-10V   | 8 - 12ft        | Max 65ft             | Snap-in           |

\* Communication range highly depends on the intergrated fixtures, surrounding environment, and conditions. It is recommended to conduct testing in each unique application for range accuracy.

|                |         |
|----------------|---------|
| project name   | type    |
| catalog number | voltage |
| approved by    | date    |



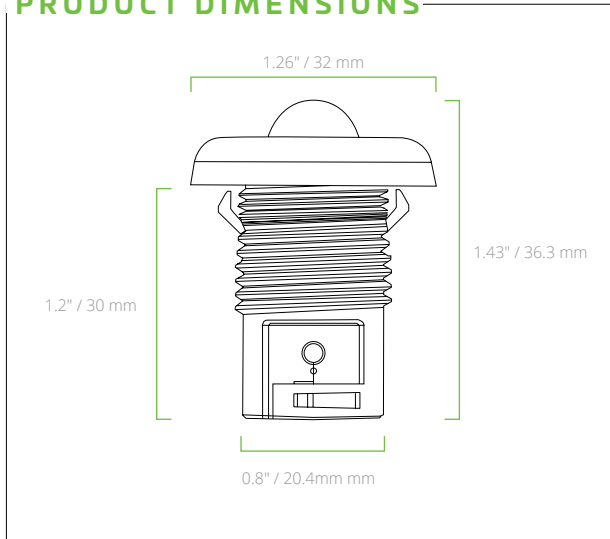
## APPLICATIONS

- Offices
- Classrooms
- Restrooms
- Hallways
- Storage Rooms

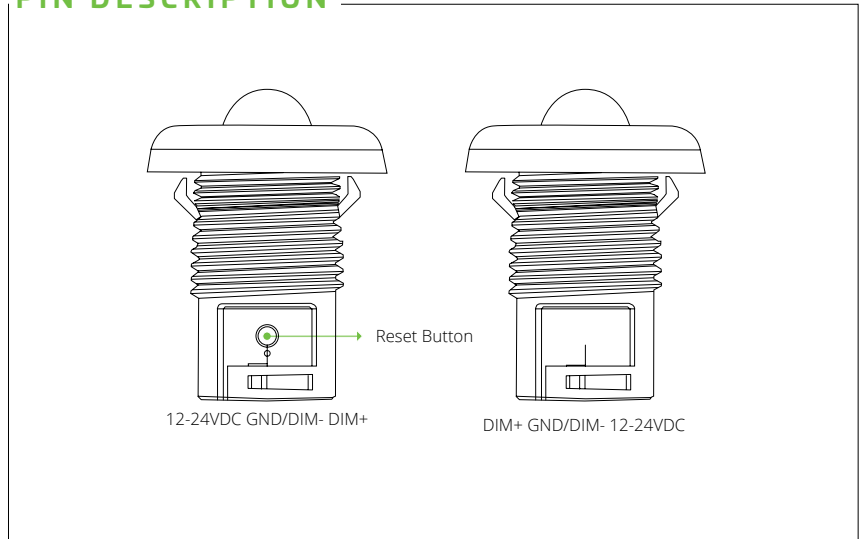
## COMPATIBLE NETWORKED LIGHTING (BLE) DEVICES

| ORDER CODE | ITEM #                 | DESCRIPTION  |
|------------|------------------------|--|
| 12635      | PSC-DM-WS-100-BLE-SR   | BLE TruBlu 120-277V, Single Gang Single Button Wall Controller, White, Parameters set by Silvoir App.                  |
| 12636      | PSC-DM-I-WS-100-BLE-SR | BLE TruBlu PIR Occupancy/ Vacancy Sensor, 120-277V, Single Gang Wall Controller, White, Parameters set by Silvoir App. |
| 12637      | PSC-DM-WS-400-BLE-SR   | BLE TruBlu 120-277V, Single Gang 4-Button Wall Controller, White, Parameters set by Silvoir App.                       |
| 12654      | ESRPB-W-EO             | BLE Easyfit by EnOcean wireless self-powered kinetic Single rocker pad, white, wall plate included.                    |
| 12655      | EDRPB-W-EO             | BLE Easyfit by EnOcean wireless self-powered kinetic Double rocker pad, white, wall plate included.                    |
| 12994      | PSC-RET-100-BLE-SR     | BLE TruBlu Range Extender 120-277V 800ft Nema 4x Outdoor Enclosure   |
| 12933      | PSC-TKP-200-BLE-SR     | BLE TruBlu Battery Backup Timekeeper and Range Extender, 120V, 800ft, Nema 4X Outdoor Enclosure                        |

### PRODUCT DIMENSIONS

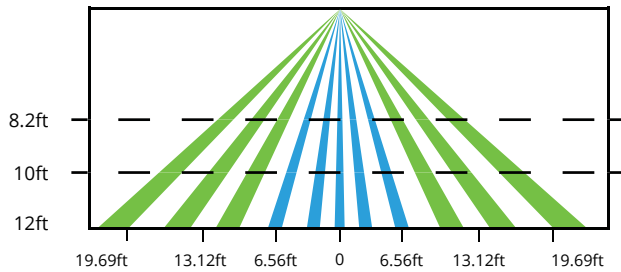


### PIN DESCRIPTION

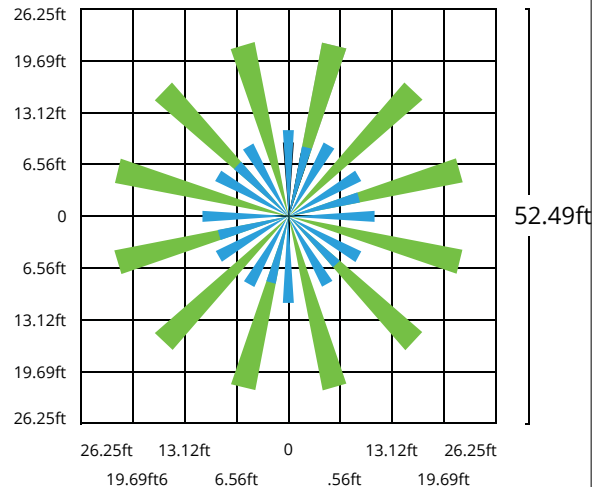


### SENSOR DETECTION COVERAGE

COVERAGE SIDE VIEWC



OVERAGE TOP VIEW

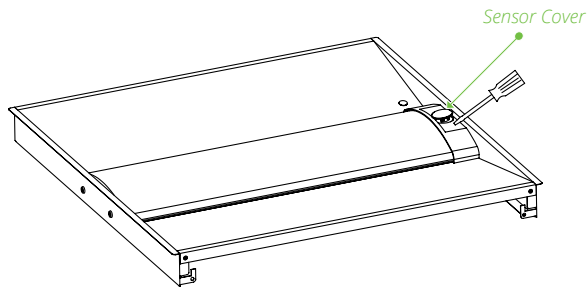


The detection area for movement sensor can be roughly divided into two parts:

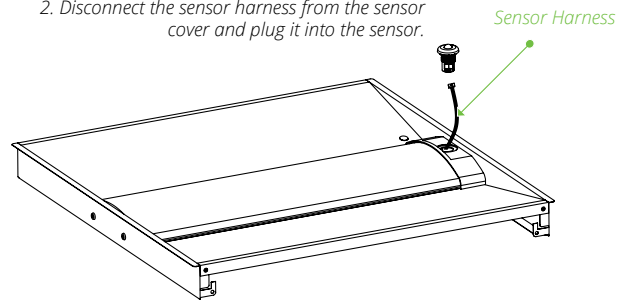
- Slow movement (person moving < 1.0'/s)
- Quick movement (person moving > 1.3'/s)

## INSTALLATION INSTRUCTIONS

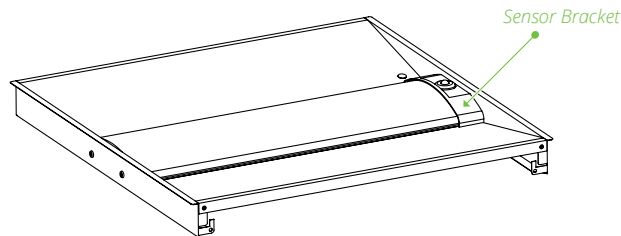
1. Take a flat head screwdriver and gently pry open the sensor cover.



2. Disconnect the sensor harness from the sensor cover and plug it into the sensor.



3. Align the sensor with the sensor bracket and firmly push the sensor in place until it snaps securely.



## PAIRING AND COMMISSIONING:

Please refer to the Silvair Commissioning User Manual for pairing and commissioning instructions. Download it at [https://silvair-documents.s3.eu-west-1.amazonaws.com/SN-200\\_Silvair\\_Commissioning\\_user\\_manual.pdf](https://silvair-documents.s3.eu-west-1.amazonaws.com/SN-200_Silvair_Commissioning_user_manual.pdf) or scan the QR code below.



To access Silvair apps.

Mobile App: **Silvar on the App Store**

Web App: [platform.silvair.com](http://platform.silvair.com)



## RESETTING A PAIRED SENSOR:

1. Place Magnet or Press Reset Key: With the sensor powered on, place a strong magnet on the top of the sensor or press and hold the reset key located behind the sensor for about 5 seconds.
2. Confirm Reset: The LED Fixture will blink twice, indicating the sensor has been successfully reset.