

SF/BL/LN/48/60/83S/120/WH 48" Bed Light with Selectable CCT

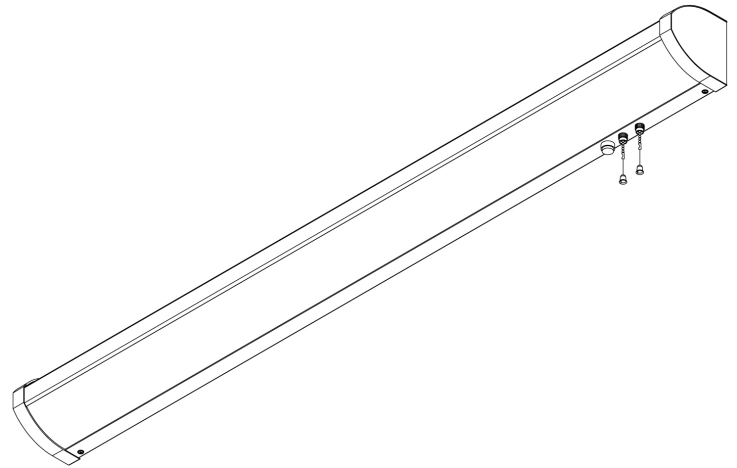
Bed Light

DESCRIPTION:

Sunlite LED 48-inch overbed light fixtures are designed with patients and medical staff in mind.

FEATURES:

- **UPGRADE TO LED** - Replace older over bed fixtures with energy efficient, long life fixtures from Sunlite. Unlike fluorescent fixtures they are instant on at full brightness with no buzzing or flickering. Ideal for use in patient rooms at hospitals, clinics, nursing care facilities, emergency rooms, examination rooms and more.
- **3-WAY LIGHTING** - Three way switching via pull-chain on these 48-inch fixtures provide up lighting, down lighting, or both at the same time. Up lighting reflects off the ceiling providing comfortable, indirect room lighting. Down lighting shines on the bed area for reading, examinations, and performing patient related tasks.
- **MAINTENANCE FREE** - Integrated LEDs make this fixture a maintenance free lighting solution. No bulbs, starters, or ballasts to replace. Easy wall installation on standard junction box with hardware included.
- **LONG LIFE SPAN** - With a life span of up to 50,000 hours this fixture will provide years of energy efficient service. Energy efficient LEDs will return significant electricity savings over its lifetime.
- **A SAFER CHOICE** - These fixtures are ETL Listed for damp location installation and remain cool to the touch even when illuminated. No harmful chemicals like fluorescent tubes making them safer for use in medical facilities.



SPECIFICATIONS:

General Characteristics

Bulb Shape	Integrated LED
Average Rated Hours	50000
Finish	White
Average Life Span Years	46
Dimmable	Yes
Dimming Type	0-10V Low Voltage
Dimming Percentage	10-100%
Material	Steel & Aluminum
Lens Material	Polycarbonate
Lens Finish	White
Bulb Type	Integrated

Electrical Characteristics

Watts	20/40/60
Volts	120

Light Characteristics

Lumens Brightness	2348/4697/6958
Color Rendering Index CRI	80
Emitted Color	CCT Selectable
Color Temperature Kelvin	30K/40K/50K
Beam Angle	116°

Fixture Characteristics

Shape	Linear
Number of Lights	1
Mounting	Wall
Fixture Technology	LED
Use Location	Indoor

Additional Features

Safety Rating Mark	ETL - Damp Location
UL Rated Enclosed Fixtures	Yes
Safety Rated For USA	Yes
DLC	Yes
DLC Classification	Standard
Mercury Free	Yes

Product Dimensions

Size	48"
Item Dimension (in)	(W) 48 (H) 4.06 (D) 4.22

Product Data

Case Unit Rate	2
Pack Size	1
Item UPC	653703491905
Warranty Years	5