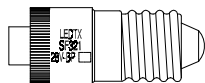
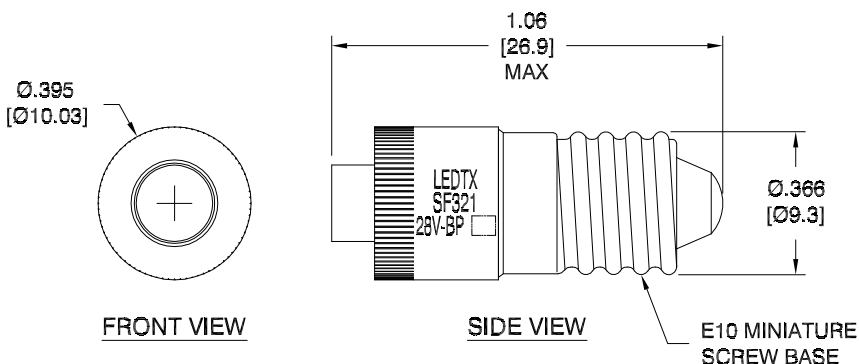


LTR	REVISION	DATE	APPD
B	041521-GP01: CHG. OVERALL LENGTH	04-16-21	GP



ACTUAL SIZE



NOTES:

1. ALL DIMENSIONS ARE IN INCHES [MILLIMETERS].
2. SLEEVE MATERIAL: GENERAL POLYMERS RYNITE FR530 (UL 94HB)
3. BASE MATERIAL: NICKEL PLATED BRASS
4. OPERATING TEMPERATURE: -30°C TO $+50^{\circ}\text{C}$

**FULL BEAM WIDTH @ 50% INTENSITY

REVISION NOTIFICATION	
<input type="checkbox"/> DLC	
<input type="checkbox"/> UL/ETL	
<input type="checkbox"/> MADE IN USA	
<input type="checkbox"/> CUSTOMER _____	
<input type="checkbox"/> OTHER	
REDLINE CHECKLIST	
<input type="checkbox"/> REDLINE(YES)	
<input type="checkbox"/> DATE: _____	
<input type="checkbox"/> INITIATED BY: _____	
<input type="checkbox"/> ECR REQUIRED YES <input type="checkbox"/> NO <input type="checkbox"/>	
<input type="checkbox"/> WORK ORDER# _____	

ELECTRICAL - OPTICAL CHARACTERISTICS (Ta = 25°C)

SF321-0AG-028B	AQUA GREEN	24/28Vdc	0.5 W	0.016 A	1.30 cd	4.75 lm	0.37	524nm	80°	BipolarDC(+/-)
SF321-0CW-028B	COOL WHITE	24/28Vdc	0.5 W	0.016 A	1.87 cd	6.09 lm	0.48	8000K	95°	BipolarDC(+/-)
SF321-0UR-028B	ULTRA RED	24/28Vdc	0.5 W	0.016 A	0.09 cd	0.19 lm	0.01	657nm	80°	BipolarDC(+/-)
SF321-0UY-028B	SUPER YELLOW	24/28Vdc	0.5 W	0.016 A	0.33 cd	1.57 lm	0.12	599nm	95°	BipolarDC(+/-)

LEDTRONICS PART NO.	COLOR EMITTED	INPUT VOLTAGE, V (Tested@28Vdc)	POWER (W)	CURRENT (A)	MAXIMUM CANDELA	TOTAL LUMENS	SCP	λ_P nm COLOR TEMP. (K)	VIEWING ANGLE***	CENTER CONTACT POLARITY
---------------------	---------------	---------------------------------	-----------	-------------	-----------------	--------------	-----	-----------------------------------	------------------	-------------------------

 LEDTRONICS,™ INC. 23105 KASHIWA COURT TORRANCE, CA 90505	-PROPRIETARY- This document contains Proprietary information of LEDTRONICS,™ INC. It may not be copied, used or disclosed for any purpose without the prior express written consent of LEDTRONICS,™ INC.		TITLE SF321-0XX-028B			
	DWG NO	SCALE	SHEET	DATE		
	SF321-28V-BP	2:1	1 OF 1	06-18-15		
CODE IDENT NO.	DWG BY GP	CHK BY	QA SB	MFG LD	R&D UF	
8Z410	06-18-15		04-16-21	04-16-21	04-16-21	