



SIGNAL Flood Light and High Bay

FEATURES

- Up to 104,000 lumens and 177 l/w efficiency
- Light weight for easy installation
- Multiple distributions available to optimize performance
- Optional visor and reflector help minimize light pollution
- Z10 Receptacle simplifies adding controls
- 20kV surge protection standard

CERTIFICATIONS

- ETL Listed for wet locations
- IP66 Rated
- 3G rated per ANSI C136.31
- DesignLights Consortium® Premium Qualified

PERFORMANCE

- Rated lifetime:
 - Projected L70: 100,000 hours
 - Reported L70: >84,000 hours
 - Reported L90: >36,000 hours
- Up to 80,600 lm @ 450W
- Up to 104,500 lm @ 600W
- 4000K, 5000K CCT
- CRI: >70

ELECTRICAL

- Input voltage: 120-277V, 277-480V
- 0-10V dimming
- Power Factor: >0.9
- THD: <20%
- 10kV driver, plus 20kV supplemental surge protection

THERMAL

- -40°F to 122 °F (-40°C to 50°C) operating temperature

CONSTRUCTION

- Cold forged aluminum heatsink ensures optimal performance
- Stainless steel hardware
- Die-cast aluminum driver housing with multiple points of entry for ease of wiring
- Epoxy e-coat primer and durable polyester powder coat ensure maximum protection
- Ships with 3-ft power and dimming cables

WARRANTY

- 5 year limited warranty. Additional warranty options available. Contact EiKO for details

project name	type
catalog number	voltage
approved by	date



APPLICATIONS

- Warehouses
- Manufacturing Plants
- Distributions centers
- Hangars
- High Mast
- Bridges, Monuments, Facades
- Rail, Shipping, Work Yards
- Construction Sites
- Outdoor Sports Fields
- Stadiums and Arenas

CONFIGURATOR

MODEL	LUMEN PACKAGE	CRI/CCT	VOLTAGE	DIMMING
SIG - SIGNAL Flood Light and High Bay	450W - 450W; 80,600 lm 600W - 600W; 104,500 lm	740 - 70 CRI; 4000K 750 - 70 CRI; 5000K	U - 120-277V V - 277-480V	D - 0-10V Dimming



PERFORMANCE SUMMARY

ORDER CODE	ITEM #	WATTS	NOMINAL LUMENS	LPW	CRI	CCT	DIMMING	VOLTS	DLC PREMIUM
UNIVERSAL VOLTAGE									
12345	SIG/450W/740/UD	450W	76,185	169	>70	4000K	0-10V	120-277V	✓
12346	SIG/450W/750/UD	450W	77,130	171	>70	5000K	0-10V	120-277V	✓
12349	SIG/600W/740/UD	600W	98,750	165	>70	4000K	0-10V	120-277V	✓
12350	SIG/600W/750/UD	600W	99,960	167	>70	5000K	0-10V	120-277V	✓

HIGH VOLTAGE									
12347	SIG/450W/740/VD	450W	79,600	177	>70	4000K	0-10V	277-480V	✓
12348	SIG/450W/750/VD	450W	80,600	179	>70	5000K	0-10V	277-480V	✓
12353	SIG/600W/740/VD	600W	103,200	172	>70	4000K	0-10V	277-480V	✓
12358	SIG/600W/750/VD	600W	104,460	174	>70	5000K	0-10V	277-480V	✓

ACCESSORIES

ORDER CODE	ITEM #	DESCRIPTION
12359	SIG/AL100D	Signal Reflector 100°
12360	SIG/Y	Signal Yoke Mounting Bracket
12361	SIG/SF	Signal Slipfitter for up to 2 3/8" Pipe
12362	SIG/SM	Signal Surface Mount
10188	SIG-LENS-PC30D	Signal Lens, 30°
10189	SIG-LENS-PC60D	Signal Lens, 60°
10185	SIG-VISOR-BK	Signal Visor, Black
10190	SIG-REFLECTOR-AL90D	Signal Refelctor, Aluminum, 90 Degree

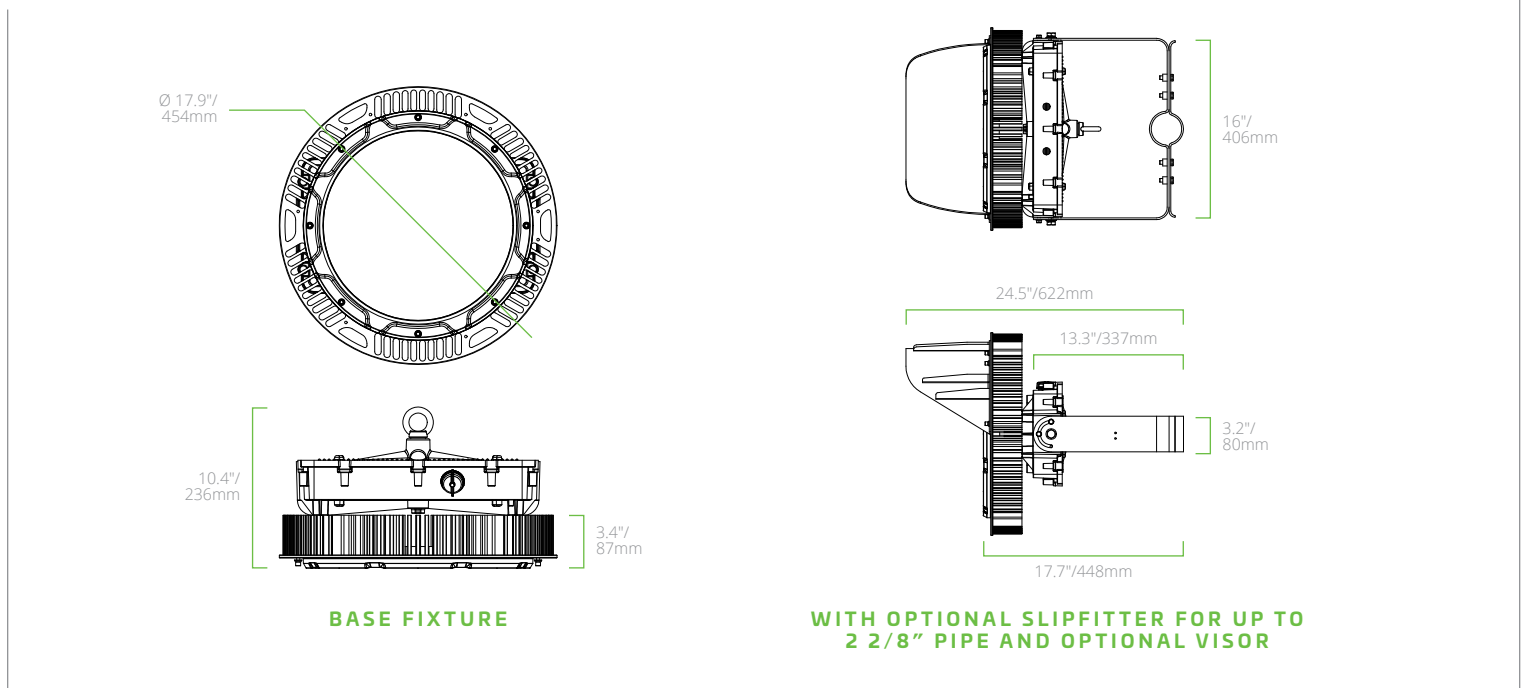
SCALING FACTORS

DISTRIBUTION OPTION	
PC30D	0.97
PC60D	0.98
AL90D	0.95

EPA AND WEIGHT CHART

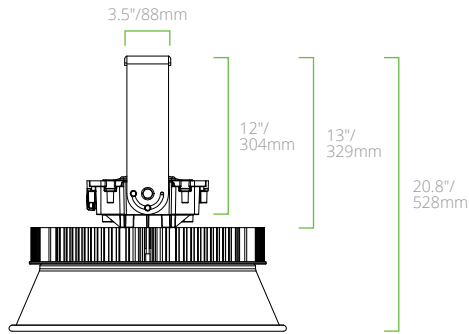
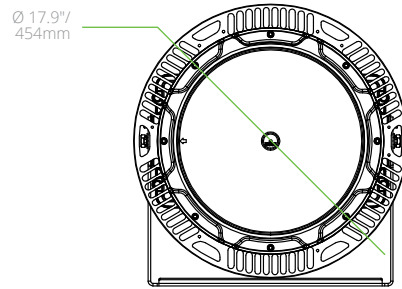
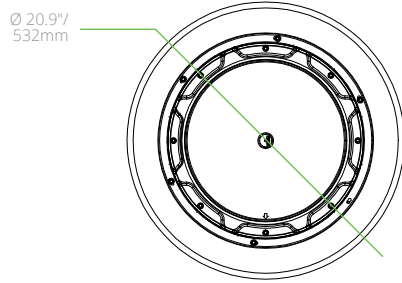
MODEL #	ITEM #	DESCRIPTION
SIG/450W/7XX/XD	28.2lbs (12.8kg)	2.09ft² (without visor)
SIG/600W/7XX/XD	29.8lb (13.5kg)	
SIG/AL100D	2.20 lbs (1kg)	n/a
SIG/Y	6.5lbs (2.95kg)	n/a
SIG/SF	8.93lb (4.05kg)	n/a
SIG/SM	7.28lb (3.3kg)	n/a
SIG-VISOR-BK	2.76lbs (1.25kg)	2.236ft² (fixture with visor)
SIG-REFLECTOR-AL90D	2.87lb (1.3kg)	n/a

PRODUCT DIMENSIONS

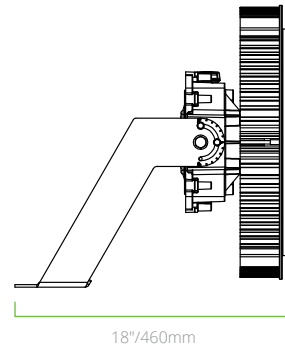


WITH OPTIONAL SLIPFITTER FOR UP TO 2 2/8" PIPE AND OPTIONAL VISOR

PRODUCT DIMENSIONS



**WITH OPTIONAL SURFACE MOUNT AND
OPTIONAL 100° REFLECTOR**



WITH OPTIONAL YOKE MOUNT