

# RESI 6, 80CRI



install video

## SL08 EOS LED RETROFIT KITS

- UL 1598 Classified Retrofit Kit
- AC Driver-On-Board Technology
- Data Per NVLAP Accredited Laboratory
- Electronic Dimming (see page 122)
- 5 Year Warranty\*



### SPECIFICATIONS

- Input Voltage: 120VAC; 50/60hz
- 13W, 14W, 22W Models
- Available In 3000K Or 4000K
- High Power Factor > 0.95
- Estimated 50,000 Hrs L70
- Optical Grade Polycarbonate Lens
- Installation Options Include Key Hole Slots, Nipple, Or Mounting Holes
- Integrated Aluminum Heat Sink With Ground Wire
- On Board Line Surge Protection

- Can Be Used To Comply With 2016 Title 24 Part 6 High Efficacy LED Light Source Requirements In Outdoor Applications
- 18 AWG Leads, 18" Length
- UL 1598 Classified
- FCC Compliance Class B

#### \*MINIMUM DIMENSION REQUIREMENTS

- Diffuser: 6.2" X 6.2" X 6.8"
- Lamp Compartment Volume: 276 In<sup>3</sup>

#### LUMENS & CCT @ 80CRI

**13W EOS RETROFIT**  
1140lm, 3000K = 81lm/W  
1280lm, 4000K = 88lm/W

**14W EOS LAMP**  
1430lm, 3000K = 102lm/W  
1500lm, 4000K = 103lm/W

**22W EOS LAMP**  
1950lm, 3000K = 88lm/W  
2130lm, 4000K = 96lm/W

Photometrics available upon request

### PART NUMBER GUIDE

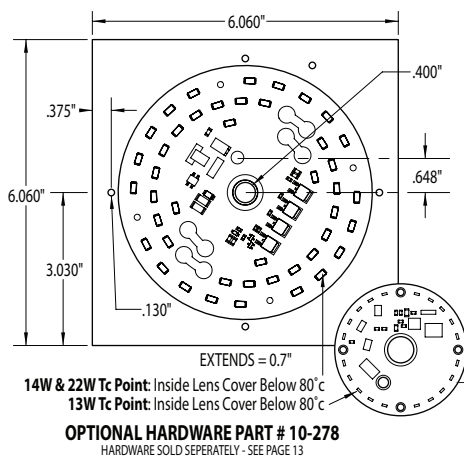
## SL08 - AC120R - W - M807PL

SL08 13W  
SL12 14W  
SL18 22W

AC120R 120V, 80CRI

W 3000K  
C 4000K

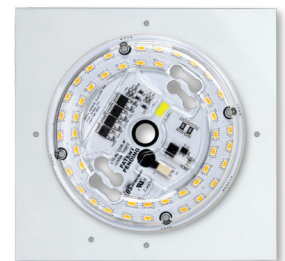
M807PL HEAT SINK#



**SL08-AC120R-W-M807PL**  
13W, 1140LM, 3000K



**SL12-AC120R-W-M807PL**  
14W, 1430LM, 3000K



**SL18-AC120R-W-M807PL**  
22W, 1950LM, 3000K

**SL08-AC120R-C-M807PL**  
13W, 1280LM, 4000K

**SL12-AC120R-C-M807PL**  
14W, 1500LM, 4000K

**SL18-AC120R-C-M807PL**  
22W, 2130LM, 4000K