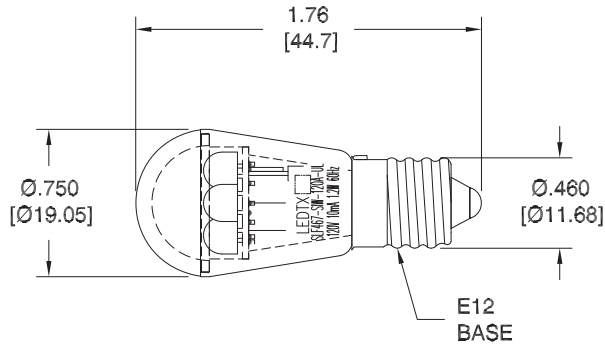
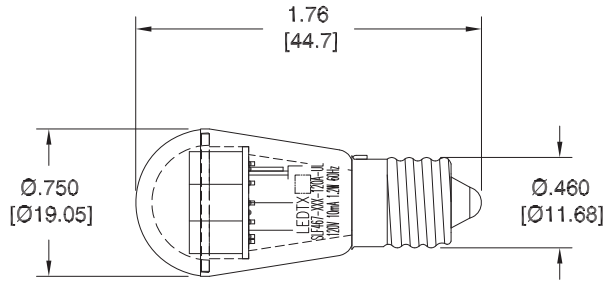


LTR	REVISION	DATE	APPD
B	052213-GP01: ADDED P/N (SIW) & UPDATED NOTES	05-22-13	GP

SLF467-SIW-120A-UL
SLF467-XIW-120A-UL



SLF467-XCW-120A-UL



Intertek



NOTES:

1. ALL DIMENSIONS ARE IN INCHES [MILLIMETERS].
2. UL E305539
3. LENS MATERIAL: WATER CLEAR, UV STABILIZED POLYCARBONATE, UL LISTED
4. SLEEVE MATERIAL: WATER CLEAR, UV STABILIZED POLYCARBONATE, UL LISTED
5. BASE MATERIAL: BRASS, NICKEL PLATED BRASS
6. LIFE: 50,000 HRS. MINIMUM

REVISION NOTIFICATION	
<input type="checkbox"/>	PMA
<input checked="" type="checkbox"/>	UL/ETL
<input type="checkbox"/>	MADE IN USA
<input type="checkbox"/>	CUSTOMER _____
<input type="checkbox"/>	OTHER

ELECTRO-OPTICAL CHARACTERISTICS

SLF467-SIW-120A-UL	WARM WHITE	120VAC	0.008 A	0.8-1.2 W	est. 4cd	2800K~3200K	120°
SLF467-XCW-120A-UL	COOL WHITE	120VAC	0.008 A	0.8-1.2 W	-	8000K	120°
SLF467-XIW-120A-UL	WARM WHITE	120VAC	0.008 A	0.8-1.2 W	est. 4cd	2800K~3200K	120°
LEDTRONICS PART NO.	COLOR EMITTED	INPUT VOLTAGE, V	CURRENT (A)	POWER (W)	MAXIMUM CANDELA	COLOR TEMP. (Kelvin)	VIEWING ANGLE (FULL BEAM WIDTH @ 50% INTENSITY)

LED[®]
LEDTRONICS,™ INC.
 23105 KASHIWA COURT
 TORRANCE, CA 90505

-PROPRIETARY-
 This document contains Proprietary information of LEDTRONICS,™ INC. It may not be copied, used or disclosed for any purpose without the prior express written consent of LEDTRONICS,™ INC.

.XXX ± .010 TOLERANCE PER ANSI-Y14.5
 .XX ± .025 (UNLESS OTHERWISE STATED)
 ANGLES ± 0°,30'
 FRACT. ± 1/32

TITLE							
SLF467-XXW-120A-UL							
DWG NO		SCALE		SHEET		DATE	
SDBD1363-CUST		1:1		1 OF 1		11-03-08	
CODE IDENT NO.	DWG BY	CHK BY	QA	MFG	R&D		
8Z410	GP 11-03-08	PL 05-23-13			BJ	05-23-13	