

10
YEAR
Product
WARRANTY



PDL3 MODUS

LED lighting system

 **SloanLED**[®]
Leaders in LED Technology

Brilliance by design.

PDL3 MODUS sets a new standard in canopy/soffit lighting with its slim, lightweight, 25 mm (1") design, optimized Type V symmetric distribution, included driver, and IP68 rating offering the industries best protection from dust and water intrusion.

- Standard power supply module includes three field-selectable lumen output power settings: High (123, 141, 164 W output), Medium (76, 98, 119 W output), and Low (36, 50, 64 W output)
- Superior efficacy, up to 159 lm/W, for lower energy consumption and a smaller carbon footprint
- ATEX certified for use in hydrogen and petroleum fuel station canopies
- Faster ROI, industry-leading 10-year warranty, and virtually maintenance-free
- **Energy savings up to 250% over typical HID fixtures**



Ordering Information



Luminaire

Example: 701948-5WTWT3-M150

Product	Color temp. (CCT)	Body color	Power* (Low, Med, High power settings)	Factory preset power settings
701948- T 3-	4W 4000 K 5W 5000 K	BZ Bronze (150 & 200 W only) WT White	M75 75 W power (36, 50, 64 W output) M150 150 W power (76, 98, 119 W output) MH200 200 W high output power (123, 141, 164 W output)	(blank) High power setting (default) P1 Medium power setting P2 Low power setting

Accessories

Item description	Part number
Shoebox mounting plate	401397
Shoebox mounting plate (Bronze)	401397-BZ
Mounting plate, 813 × 660 mm (32" × 26")	402540
Blank plate (de-lamping / removing)	401219
Blank plate, Bronze (de-lamping/removing)	401219-BZ
Install template	401398
1-10 V dimming connector cable	410168

Dimming accessories

Item description	Part number
Dimming controller for 75 W power supply	601092‡
Dimming controller for 150 W power supply	601093‡
Dimming controller for 200 W power supply	601094‡
Occupancy sensor	701953

Replacement parts

Item description	Part number
75 W power supply	601071
150 W power supply	601072
200 W power supply	601073

Driver enclosure

Item description	Part number
Canopy/soffit applications	601106†
Surface mount applications	601022-M

* Driver and power controller included. Standard configuration: All models are shipped at the highest system power setting unless ordered with factory preset options P1 or P2.

† 601106 required by NEC code in North America.

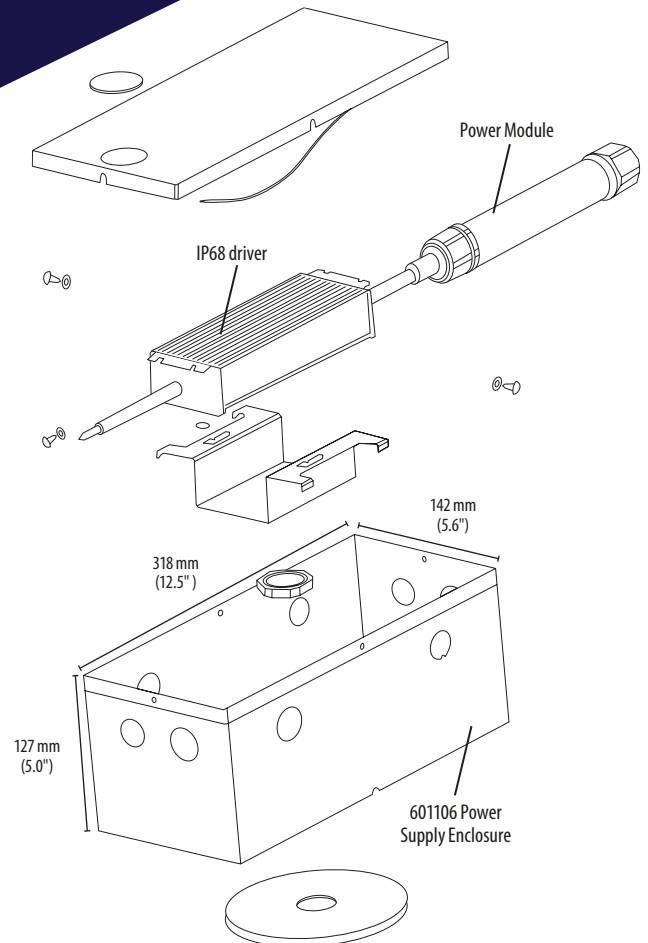
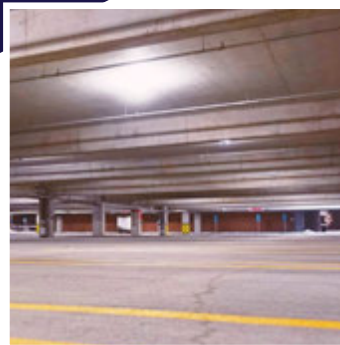
‡ Dimming controller replaces the Power Module. Dimming controller box fits inside of all driver housings or mounting enclosures.

For more information on our Outdoor Area collection of products, visit SloanLED.com.

One powerful solution. Multiple applications.

PDL3 MODUS LED lighting system is a perfect example of the **innovative, class-leading design**

you've come to expect from SloanLED. New application based, remote power supply solutions, specifically designed to disperse heat away from the luminaire, make it easy to specify and install for petroleum canopies, walk-in coolers/cold storage, and parking structure/surface-mount low bay applications.



Canopy/Soffit Applications

Driver enclosure

Order number: 601106

Included in kit: Power supply enclosure, gasket, and mounting hardware.†

- Power supply enclosure allows water to pass through and out
- Gasket seals against canopy – Eliminates need to seal installation with tar/roofing material

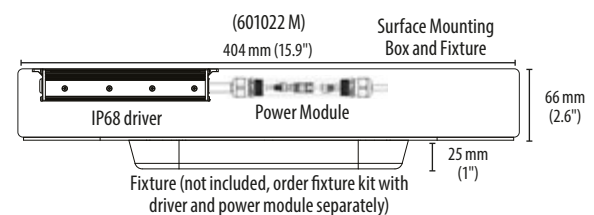
Surface Mounted Applications

Surface mounting enclosure

Order number: 601022-M

Included in kit: SloanLED surface mounting box.†

- Mounts to: Solid flat surface, reinforced J-box



Also available

MODUS
SmartBAY™

The MODUS SmartBAY™ Wireless Control System is an intelligent lighting control solution that features a wireless mesh (WPAN) control design allowing dimming based on traffic and occupancy detection to deliver the right amount of light—where and when you need it—for incredible ROI and energy savings. Visit SloanLED.com for more information.



For more information on our Outdoor Area collection of products, visit SloanLED.com.

* Driver and power controller included. Standard configuration: All models are shipped at the highest system power setting unless ordered with factory preset options P1 or P2.
† Fixture kit with driver and power module not included. Order separately.

PDL3 MODUS

Specifications

Electrical

Input voltage 100-277 VAC, 50-60 Hz

Product	Power setting	Lumens [§]	Efficacy [§]
M75	P2 – Low (36 W)	5,670	159.3 lm/W
	P1 – Med. (50 W)	7,869	157.9 lm/W
	DF – High (64 W) [‡]	9,951	155.0 lm/W
M150	P2 – Low (76 W)	11,540	152.7 lm/W
	P1 – Med. (98 W) [‡]	14,800	146.9 lm/W
	DF – High (119 W)	16,880	142.5 lm/W
MH200	P2 – Low (123 W)	20,700	169.6 lm/W
	P1 – Med. (141 W)	23,210	167.8 lm/W
	DF – High (164 W) [‡]	26,040	165.5 lm/W

Lighting

Light distribution Symmetric (Type 5)

Color (CCT) 4000 K, 5000 K

Color rendering 70 CRI

Performance

Operating temperature

Product	Low	Med	High
M75	-40° C to 60° C	-40° C to 55° C	-40° C to 50° C
M150		-40° C to 50° C	-40° C to 40° C
MH200			

Ingress protection IP68

UL location rating Suitable for wet locations

Explosion proof[†] ATEX zone 2 rated
DEMKO 18 ATEX 2033x II 3 G ec IIC T4 Gc

Life rating **M75 & M150**
Reported: L₇₀ > 60,000 hours
Calculated: L₇₀ > 150,000 hours
MH200
Reported: L₇₀ > 60,000 hours
Calculated: L₇₀ > 175,000 hours

Dimming 1-10 VDC control on power supply*



SloanLED Headquarters

5725 Olivas Park Drive, Ventura, CA, USA
805.676.3200 • info@SloanLED.com

SloanLED Europe b.v.

Argonstraat 110, 2718 SN Zoetermeer, NL
+31 88 12 44 900 • europe@SloanLED.com



SloanLED.com

Specifications subject to change without notice.
© 2022 SloanLED Rev B 2022-02-22



Visit product page for details.

Specifications subject to change without notice.

Construction

Frame Die cast aluminum

Heat plate Aluminum

Finish **M75 & M150** White
MH200 Bronze or White
Powder coated for extreme conditions

Lens Tempered frosted lens

Mounting

Fixture 4 self-drilling sheet metal screws

Documentation

Warranty 10-year limited

Agency listings cULus, CE, ENEC, ATEX[†], RoHS, Title 24 Compliant

Files available LM-79, LM-80, IES

* Requires 1-10 V connector cable (P/N 410168).

† ATEX certification for luminaire at 5000 K CCT only.

‡ All models are shipped at the highest system power setting unless ordered with factory preset options P1 or P2.

§ Based on 5000 K CCT data.

Dimensions

