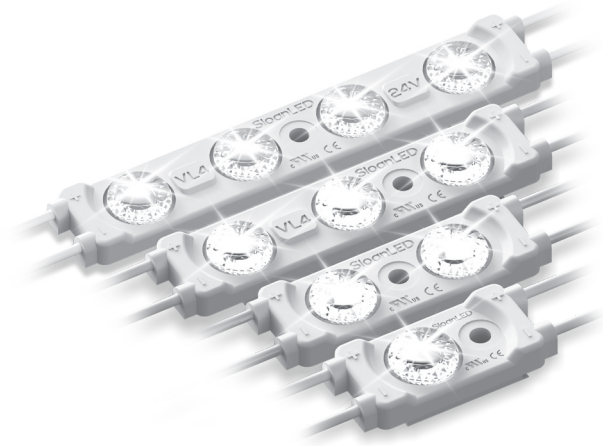


VL4

Everyday channel letter lighting solutions

Specifications

Dimensions L x W x H	Whites	55 mm x 18 mm x 7 mm (2.15" x 0.69" x 0.27")
	Colors, HO	78 mm x 18 mm x 7 mm (3.06" x 0.69" x 0.27")
	Super HO.....	101 mm x 18 mm x 7 mm (3.96" x 0.69" x 0.27")
	Mini.....	38 mm x 18 mm x 7 mm (1.50" x 0.69" x 0.27")
LEDs per module	Standard Whites.....	2
	Colors, HO	3
	Super HO.....	4
	Mini.....	1
Operating temperature	-40° C to +60° C	
Optional dimming	PWM (Pulse width modulation, SloanLED	
	Universal LED Wireless Dimmer 601115)	



Protection class	IP66
Special feature	Continuous tape liner with peel tab
Life rating	>54,000 hours to L ₈₀ at ≤50° C ambient
Fastening	Peel-n-stick and mechanical

Whites, 12 VDC

Model	Modules per meter/foot	Color temperature	Part number	Optimal can depth	Power per module	Lumens per module (nominal)	Efficacy	Power capacity per SloanLED 60 W 12 VDC power supply	Packaging
Standard	4.6/m (1.4/ft)	7200 K	701269-7W2A2-MB	75-127 mm (3-5")	0.96 W	107	111 lm/W	56 modules (12.2 m / 40.0 ft)	12.2 m / 40.0 ft (56 modules) per bag, 10 bags per carton
		6500 K	701269-6W2A2-MB						
Mini	8.2/m (2.5/ft)	6500 K	701269-6W1A2-MB	50-75 mm (2-3")	0.36 W	40	111 lm/W	150 modules (18.3 m / 60.0 ft)	18.3 m / 60.0 ft (150 modules) per bag, 3 bags per carton
		5000 K	701269-5W1A2-MB						
		3000 K	701269-3W1A2-MB						
HO	4.9/m (1.5/ft)	6500 K	701269-6W3A1-MB	127-200 mm (5-8")	1.20 W	130	108 lm/W	45 modules (9.1 m / 30.0 ft)	9.1 m / 30 ft (45 modules) per bag, 10 bags per carton

Whites, 24 VDC

Model	Modules per meter/foot	Color temperature	Part number	Optimal can depth	Power per module	Lumens per module (nominal)	Efficacy	Power capacity per SloanLED 100 W 24 VDC power supply	Packaging
Super HO	2.13/m (0.65/ft)	6500 K	701269-6W4A1-MB	127-305 mm+ (5-12"+)	1.42 W	233	164 lm/W	60 modules (28.1 m / 92.3 ft)	28.1 m / 92.3 ft (60 modules) per bag, 5 bags per carton

Colors

Part number	Color	Nominal wavelength	Modules per meter/foot	Optimal can depth	Power per module	Lumens per module (nominal)	Efficacy	Power capacity per SloanLED 60 W 12 VDC power supply	Packaging
701269-RD3A2-MB	Red	623	4.9/m (1.5/ft)	75-127 mm (3-5")	0.50 W	20	40 lm/W	108 modules (21.9 m / 72.0 ft)	21.9 m / 72.0 ft (108 modules) per bag, 4 bags per carton
701269-GR3A2-MB	Green	524				50	100 lm/W		
701269-BL3A2-MB	Blue	468				9.5	19 lm/W		



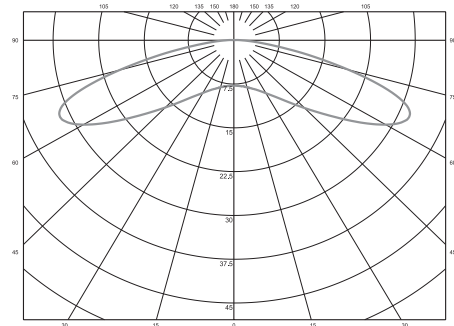
* Configured for Class 2 Output.

SloanLED channel letter products are covered by US and foreign patents pending and covered by one or more of the following US patents issued: 6,932,495, 7,241,031, 7,520,771.

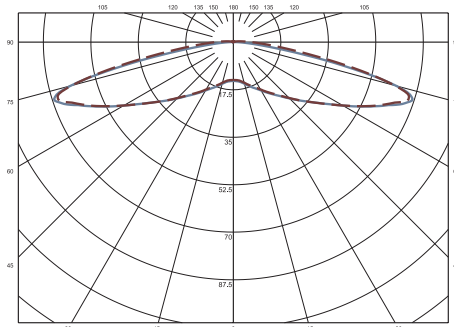
VL4

Everyday channel letter lighting solutions

Luminous Intensity Distribution



VL4 Standard, HO, Mini



VL4 Super HO

Power Supply Capacity

12 VDC Power supply*	VL4 7200 K, 6500 K	VL4 Red, Green, Blue	VL4 Mini 6500 K, 5000 K, 3000 K	VL4 HO 6500 K
Modules per m/ft	4.6/1.4	4.9/1.5	8.2/2.5	4.9/1.5
25 W Power supply	5.0 m (16.4 ft) / 23 mods	9.1 m (30.0 ft) / 45 mods	7.6 m (24.8 ft) / 62 mods	3.9 m (12.7 ft) / 19 mods
60 W Power supply	12.2 m (40.0 ft) / 56 mods	21.9 m (72.0 ft) / 108 mods	18.3 m (60.0 ft) / 150 mods	9.1 m (30.0 ft) / 45 mods
120 W Power supply	2 x 12.2 m (40.0 ft) / 56 mods	2 x 21.9 m (72.0 ft) / 108 mods	2 x 18.3 m (60.0 ft) / 150 mods	2 x 9.1 m (30.0 ft) / 45 mods

24 VDC Power supply*	VL4 Super HO 6500 K
Modules per m/ft	2.13 / 0.65
100 W Power supply	28.1 m (92.3 ft) / 60 mods
300 W Power supply	3 x 28.1 m (92.3 ft) / 60 mods

Notes:

- 1) It is recommended that you first test LED density in sample letter/cabinet to evaluate brightness, uniformity and color.
- 2) Should you have questions or require assistance in testing, please contact your SloanLED customer service representative.
- 3) Products can be used in can depths deeper or shallower than listed above, but testing is recommended.
- 4) The acrylic material used for all testing was 3/16" thickness sign grade 2447 acrylic.

These guidelines are intended to provide only an approximation of SloanLED Prism product required for your sign, assuming an optimal balance of performance and cost. SloanLED is not responsible for the actual results based on the use of these guidelines.

Density Guidelines

Size	Module color	Can Depth	Modules per meter	Milimeters on center standard face	Milimeters on center dark vinyl	Milimeters on center perforated vinyl	Watts per module	Modules per M ² standard face	Modules per M ² dark vinyl
VL4	White (7200 K, 6500 K)	75 mm	6.5	175	150	123	0.96	37.1	43.3
		100 mm	4.6	225	200	175		20.4	23.0
		125 mm		300	275	250		15.3	16.7
	Red	75 mm	6.5	150	125	100	0.50	43.3	52.0
		100 mm	4.9	225	200	175		21.8	24.5
		125 mm		275	250	225		17.8	19.6
	Green	75 mm	6.5	150	125	100	0.50	43.3	52.0
		100 mm	4.9	225	200	175		21.8	24.5
		125 mm		275	250	225		17.8	19.6
	Blue	75 mm	6.5	150	125	100	0.50	43.3	52.0
		100 mm	4.9	200	200	175		24.5	24.5
		125 mm		275	250	225		17.8	19.6
Mini	White (6500 K, 5000 K, 3000 K)	50 mm	10	100	75	50	0.36	100.0	133.3
		75 mm	8.2	150	125	100		54.7	65.6
		100 mm		200	175	150		41.0	46.9
HO	White (6500 K)	100 mm	4.9	225	200	175	1.2	21.8	24.5
		125 mm		325	300	275		15.1	16.3
		175 mm		375	350	325		13.1	14.0
Super HO†	White (6500 K)	125 mm	5	325	250	225	1.42	15.4	20.0
		150 mm	3	350	300	275		8.6	10.0
		200 mm	2.1	400	350	325		5.3	6.5

† Test results based on Evonik WN070 3 mm acrylic, 30% translucency.

SloanLED Headquarters
5725 Olivas Park Drive, Ventura, CA, USA
805.676.3200 • info@SloanLED.com

SloanLED Europe b.v.
Argonstraat 110, 2718 SN Zoetermeer, NL
+31 88 12 44 900 • europe@SloanLED.com



SloanLED.com

© 2021 SloanLED Rev I 2021-05-12



Visit product page for details.



Specifications subject to change without notice.