

PDL3 MODUS

LED lighting system
701948



High Output



Standard

Ordering information

Luminaire

Example: 701948-5WTWT3-M150

701948-	T	3-		
Product	Color temp. (CCT)	Body color	Power* (Low, Med, High power settings)	Factory preset power settings
	4W 4000 K 5W 5000 K	BZ Bronze (150 & 200 W only) WT White	M75 75 W power (36, 50, 64 W output) M150 150 W power (76, 98, 119 W output) MH200 200 W high output power (123, 141, 164 W output)	(blank) High power setting (default) P1 Medium power setting P2 Low power setting

Product description

PDL3 MODUS sets a new standard in canopy/soffit lighting with its slim, lightweight, 25 mm (1") design, optimized Type V symmetric distribution, included driver, and IP68 rating offering the industries best protection from dust and water intrusion.

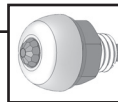
- Standard power supply module includes three field-selectable lumen output power settings: High (default), Medium, and Low
- Faster ROI, industry-leading 10-year warranty, and virtually maintenance-free
- Energy savings up to 250% over typical HID fixtures

Driver enclosure

Part number	Description
601106†	Canopy/soffit applications
601022-M	Surface mount applications

Dimming accessories

Part number	Description
601092§	Dimming controller for 75 W power supply
601093§	Dimming controller for 150 W power supply
601094§	Dimming controller for 200 W power supply
701953	Occupancy sensor



Accessories

Part number	Description
401397	Shoebox mounting plate
401397-BZ	Shoebox mounting plate (Bronze)
402540	Mounting plate, 813 × 660 mm (32" × 26")
401219	Blank plate (de-lamping / removing)
401219-BZ	Blank plate, Bronze (de-lamping/removing)
401398	Install template
410168	1-10 V dimming connector cable

Replacement parts

Part number	Description
601071	75 W power supply
601072	150 W power supply
601073	200 W power supply

Performance summary

Model	M75			M150			MH200		
	Low (36 W) P2	Med (50 W) P1	High (64 W) DF ^Δ	Low (76 W) P2	Med (98 W) P1 ^Δ	High (119 W) DF	Low (123 W) P2	Med (141 W) P1	High (164 W) DF ^Δ
Power settings									
Efficacy [¶] (lm/W)	159.3	157.9	155.0	152.7	146.9	142.5	169.6	167.8	165.5
Delivered lumens [¶]	5,670	7,869	9,951	11,540	14,800	16,880	20,700	23,210	26,040



* Driver and power controller included. Standard configuration: All models are shipped at the highest system power setting unless ordered with factory preset options P1 or P2.

† 601106 required by NEC code in North America.

‡ 601022-M required where fixture will not be mounted directly to surface.

§ Dimming controller replaces the Power Module.

¶ Dimming controller box fits inside of all driver housings or mounting enclosures.

⌚ Based on 5000 K CCT data.

Δ All models are shipped at the highest system power setting unless ordered with factory preset options P1 or P2.

PDL3 MODUS

LED lighting system
701948

Product specifications

Electrical

Input voltage 100-277 VAC, 50-60 Hz

Product	Power setting	Lumens [§]	Efficacy [§]
M75	P2 – Low (36 W)	5,670	159.3 lm/W
	P1 – Med. (50 W)	7,869	157.9 lm/W
	DF – High (64 W) [†]	9,951	155.0 lm/W
M150	P2 – Low (76 W)	11,540	152.7 lm/W
	P1 – Med. (98 W) [†]	14,800	146.9 lm/W
	DF – High (119 W)	16,880	142.5 lm/W
MH200	P2 – Low (123 W)	20,700	169.6 lm/W
	P1 – Med. (141 W)	23,210	167.8 lm/W
	DF – High (164 W) [†]	26,040	165.5 lm/W

Lighting

Light distribution Symmetric (Type 5)

Color (CCT) 4000 K, 5000 K

Color rendering 70 CRI

Performance

Operating temperature

Product	Low	Med	High
M75	-40° C to 60° C	-40° C to 55° C	-40° C to 50° C
M150			
MH200		-40° C to 50° C	-40° C to 40° C

Ingress protection IP68

UL location rating Suitable for wet locations

Explosion proof[†] ATEX zone 2 rated
DEMKO 18 ATEX 2033x II 3 G ec IIC T4 Gc

Life rating **M75 & M150**

Reported: L₇₀ > 60,000 hours
Calculated: L₇₀ > 150,000 hours

MH200

Reported: L₇₀ > 60,000 hours
Calculated: L₇₀ > 175,000 hours

Dimming 1-10 VDC control on power supply*

Construction

Frame Die cast aluminum

Heat plate Aluminum

Finish **M75 & M150** White
MH200 Bronze or White
Powder coated for extreme conditions

Lens Tempered frosted lens

Mounting

Fixture 4 self-drilling sheet metal screws

Documentation

Warranty 10-year limited

Agency listings cULus, CE, ENEC,
ATEX[†], RoHS, Title 24 Compliant

Files available LM-79, LM-80, IES

* Requires 1-10 V connector cable (P/N 410168).

† ATEX certification for luminaire at 5000 K CCT only.

‡ All models are shipped at the highest system power setting unless ordered with factory preset options P1 or P2.

§ Based on 5000 K CCT data.

Competitor Upgrade

Mfr.	Series	M75	M150	MH200
LSI	Legacy CRUS	CRUS-SC-LED-SLW or VLW-50-UE-WHT	CRUS-SC-LED-LW or SS-50-UE-WHT	CRUS-SC-LED-HO or VHO-50-UE-WHT
	Scottsdale SCM	SCM-LED-8L-SC-UNV-DIM-50-WHT	SCM-LED-13L or 15L-SC-UNV-DIM-50-WHT	SCM-LED-20L-SC-UNV-DIM-50-WHT
	Scottsdale Vertex	SCV-LED-10L-SC-UNV-DIM-50K-WHT	SCV-LED-13L or 15L-SC-UNV-DIM-50K-WHT	SCV-LED-20L or 23L-SC-UNV-DIM-50K-WHT
CREE	CPY 250 (B)	CPY250-B-DM-D-A or C-UL-WH-57K	CPY250-B-DM-D-13L or B or F-UL-WH-57K	CPY250-B-DM-D-E or C-UL-WH-57K
	CPY 250 (C)	CPY250-C-2L or 4L or 8L-50K7-D-UL-DM-WH	CPY250-C-13L-50K7-D-UL-DM-WH	CPY250-C-21L-50K7-D-UL-DM-WH
	CPY500	CP5-8L-50K7-DF-UL-DM-WH-10V	CP5-13L-50K7-DF-UL-DM-WH-10V	CP5-20L-50K7-DF-UL-DM-WH-10V
	304	CAN-304-5M-RS-04 or 06-E-UL-WH-350 or 525 or 700	CAN-304-5M-RS-06-E-UL-WH-525 or 700	N/A
Whiteway	CLED	CLED-LW or LL-7-UNV-S-5-WH-MP	CLED-HLHE-7-UNV-S-5-WH-MP	CLED-XL-7-UNV-S-5-WH-MP
	Galasy II	GSY-30 or 65-5K7	GSY-100-5K7	GSY-130-5K7
	Vanish	VSH-30 or 55-5K7-UNV-WHG	VSH-85-5K7-UNV-WHG	VSH-140-5K7-UNV-WHG

PDL3 MODUS

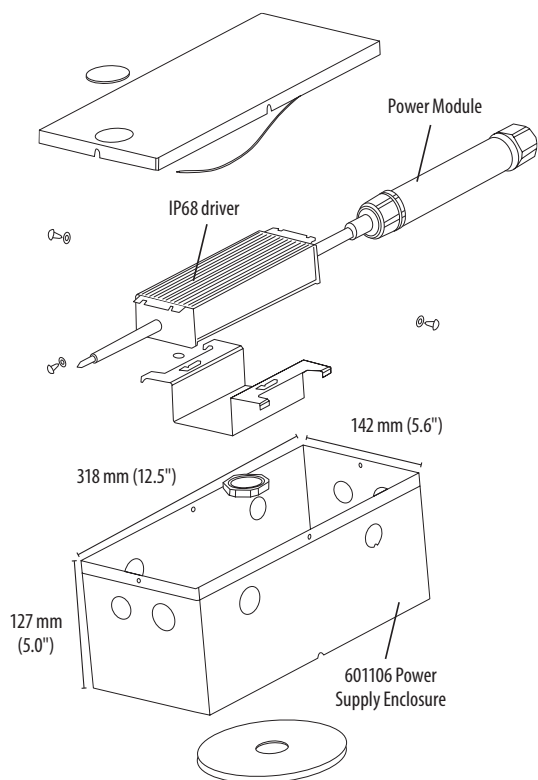
LED lighting system
701948

Canopy/Soffit Applications

Driver enclosure
Order number: 601106

Included in kit: Power supply enclosure, gasket, and mounting hardware.†

- Power supply enclosure allows water to pass through and out
- Gasket seals against canopy – Eliminates need to seal installation with tar/roofing material

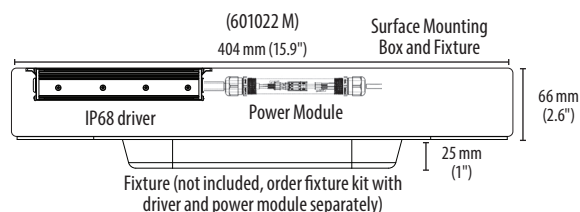


Surface Mounted Applications

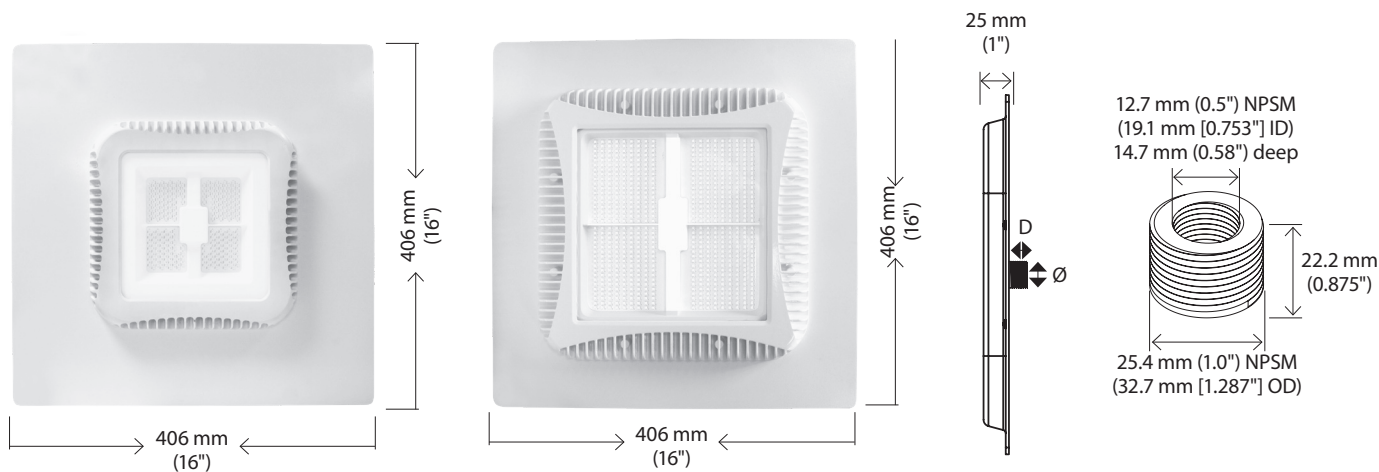
Surface mounting enclosure
Order number: 601022-M

Included in kit: SloanLED surface mounting box.†

- Mounts to: Solid flat surface, reinforced J-box



Product dimensions



* Driver and power controller included. Standard configuration: All models are shipped at the highest system power setting unless ordered with factory preset options P1 or P2.
† Fixture kit with driver and power module not included. Order separately.

PDL3 MODUS

LED lighting system
701948

Cover Plates

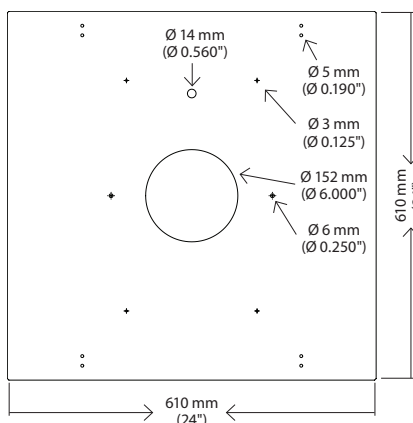
- Shoebox Mounting Plate – Required for mounting directly to an existing 610 mm × 610 mm (2' × 2') shoebox. Option to cover footprint/stain when replacing a 610 mm × 610 mm (2' × 2') shoebox.
- Large Mounting Plate – Allows for mounting over an existing hole, up to 673 mm × 813 mm (26.5" × 32"). Also allows for the MODUS fixture to be mounted behind the mounting plate for a cleaner look. The plate has no mounting holes, allowing installers to choose hole size and quantity for screws or rivets.
- Blank Plate – Covers the silhouette/stain and hole when removing a 610 mm × 610 mm (2' × 2') shoebox fixture.



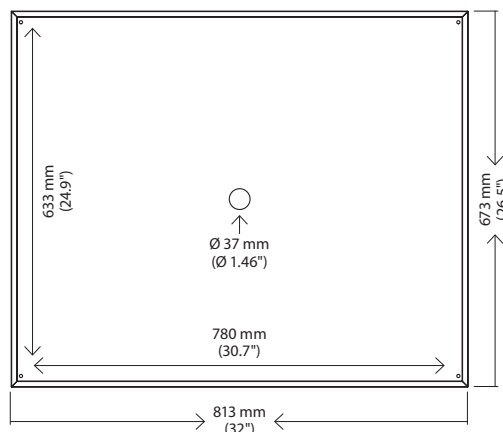
Product specifications

Part number	Shoebox mounting plate
White	401397
Bronze.....	401397-BZ
	Large mounting plate
White	402540
	Blank plate
White	401219
Bronze.....	401219-BZ
Material	Aluminum
Finish	Bronze* or White powder paint
Dimensions	Mounting and 610 mm (24") square shoebox retrofit plate
	Mounting plate..... 813 × 673 mm (32" × 26.5")
	Blank plate..... 610 mm (24") square

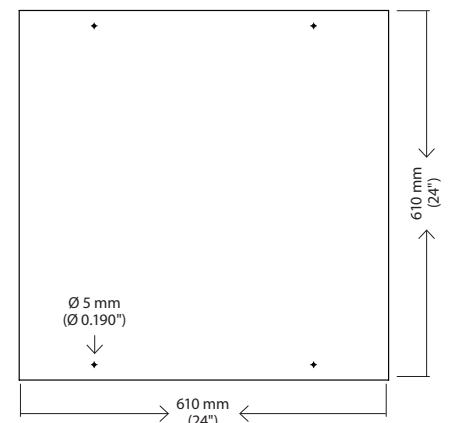
401397 – Mounting & Shoebox Retrofit Plate



402540 – Large Mounting Plate



401219 – Blank Plate



* Bronze finish available on 150 & 200 W models only.

SloanLED Headquarters
5725 Olivas Park Drive, Ventura, CA, USA
805.676.3200 • info@SloanLED.com

SloanLED Europe b.v.
Argonstraat 110, 2718 SN Zoetermeer, NL
+31 88 12 44 900 • europe@SloanLED.com

SloanLED.com



Visit product page for details.