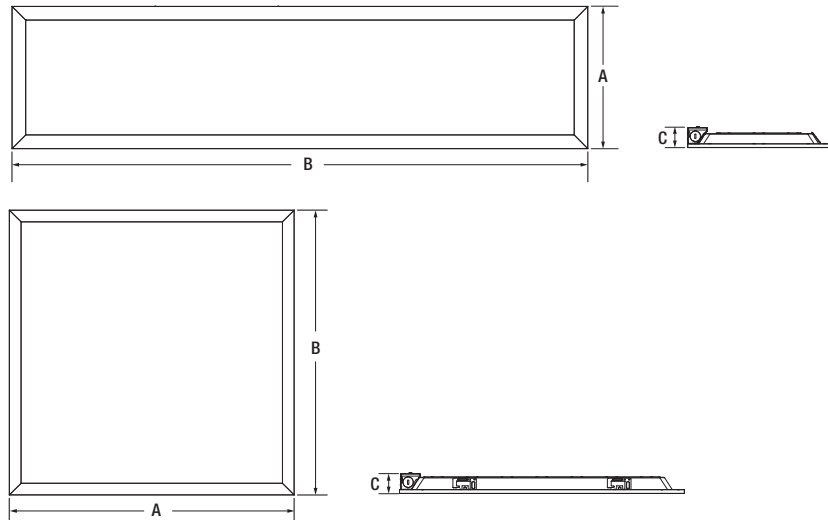


Physical Information

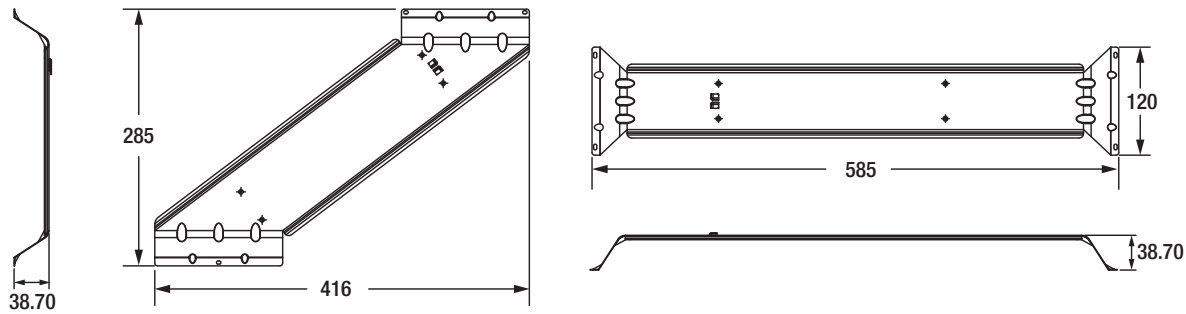
Lamp Description	(A) Length (in)	(B) Width (in)	(C) Height (in)
1x4	11.8	47.8	1.7
2x2	23.8	23.8	1.7
2x4	23.8	47.8	1.6



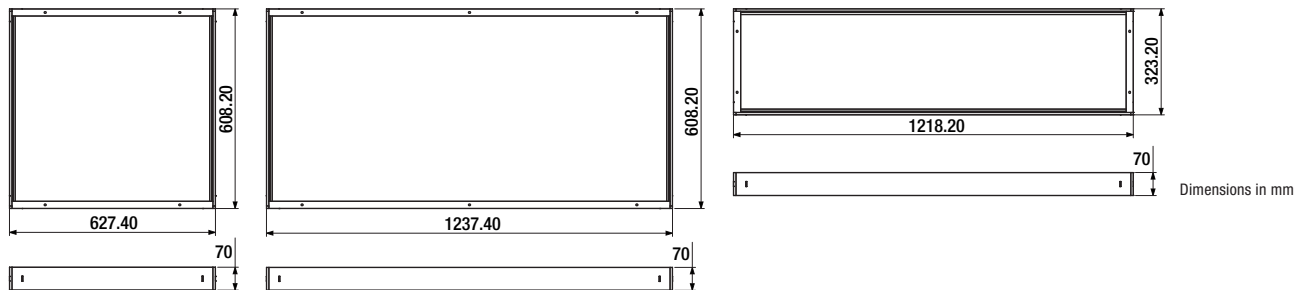
Accessories and Replacement Parts

Item Number	Ordering Abbreviation	Item Description
60888	EMBB1A8WDC	Field installable emergency battery back-up unit
61682	ACCPANELF3AEMBB-BRIDGE2	Metal bridge for installing emergency battery back-up unit to 2x2 and 2x4 panels
61683	ACCPANELF3AEMBB-BRIDGE1	Metal bridge for installing emergency battery back-up unit to 1x4 panels
62064	SMKIT3A/22/WH	Surface Mount Kit for 2x2 Backlit Panel, extruded Aluminum, white finish
62065	SMKIT3A/24/WH	Surface Mount Kit for 2x4 Backlit Panel, extruded Aluminum, white finish
62066	SMKIT3A/14/WH	Surface Mount Kit for 1x4 Backlit Panel, extruded Aluminum, white finish
62067	SPKIT3A	Suspension Kit for Backlit Panels

Metal Bridge



Surface Mount Kit



Dimensions in mm