

LUNERA HID LED VERTICAL

95W-54W LED Replacement for High Intensity Discharge Lamps
Type A - Ballast Driven (E26 Medium Base)

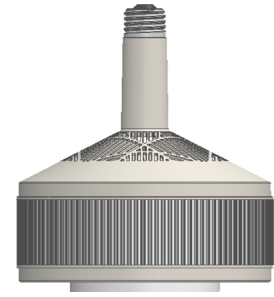
Description

The **LUNERA HID LED VERTICAL** is a plug-and-play (Type A, ballast driven) LED replacement for Metal Halide (MH) and High Pressure Sodium (HPS) lamps with an E26 medium base. This lamp replaces 250W ~ 70W MH and HPS lamps in lighting applications and delivers up to 9,900 lumens of beautiful LED light.

Proprietary BallastLED technology makes these lamps truly plug-and-play by allowing them to operate directly off of the existing CWA HID without any re-wiring.

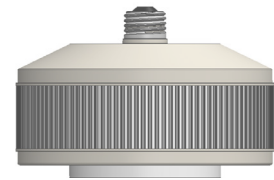
The LUNERA HID LED VERTICAL lamp is available in 3500K, 4000K and 5000K color temperatures. Lamp configurations include a standard or short neck with options for a 10% uplight or a Type V lens***. The lamp delivers consistent light levels across its long life, which results in a high quality lighting experience for the building's occupants.

The LUNERA HID LED VERTICAL is rated at 50,000 hours and is backed by a five-year warranty. This lamp does not contain mercury, allowing for non-hazardous waste disposal.



Frosted Lens

9,900lm
5,700lm
V, VU



Frosted Lens

9,900lm
5,700lm
VS, VSU

Features

- Directly replaces 250W ~ 70W MH and HPS lamps with 95W ~ 54W LED
- Type A (ballast driven) Installation; supports existing CWA HID ballast
- Delivers up to 9,900 (95W) and 5,700 (54W) lumens of usable light with >80 CRI
- CCT 3500K, 4000K and 5000K
- Supports E26 medium sockets; Works well in enclosed fixtures
- Thermal IQ to support ambient temperatures up to 150°F
- Uplight Option with 10% uplight illumination (VSU, VU), Neck Length Option (VS) for short fixtures, Type V Lens Option, ideal*** for parking garages



Ordering Information

Example: SN-V-E26-B-4.5KLM-835-G3

Series	Version	Socket Type	Power Supply	Lamp Lumens	CCT	Generation
SN Lunera HID LED	V Vertical	E26 Fits in medium (E26) base HID socket	B CWA HID Ballast	9KLM 9,900lm 4.5KLM 5,700lm	835 80CRI / 3500K 840 80CRI / 4000K 850 80CRI / 5000K	G3 3rd Generation
	VU Vertical Uplight					
	VS Vertical Short Neck					
	VSU Vertical Uplight Short Neck					

PROJECT	CONTACT	MODEL NO.
REFERENCE NO.	QUANTITY	DATE

Performance Specifications - Vertical Mount Lamp - 9,900lm / 5,700lm

	9,900 lumens	5,700 lumens
Illumination		
Color Temperatures	3500K, 4000K, 5000K	3500K, 4000K, 5000K
Lumens	Up to 9,900lm	Up to 5,700lm
Color Consistency	Lunera TruColor LED Selection	Lunera TruColor LED Selection
Lumen Maintenance (L70)	50,000+ hours life	50,000+ hours life
Electrical System		
Input Voltage	Dependent of HID ballast- CWA Ballast Input (480V ~ 120V)	Dependent of HID ballast- CWA Ballast Input (480V ~ 120V)
Average Lamp Power	95W	54W
Lamp Wattage Replaced ⁺	250W/175W/150W/100W/70W	250W/175W/150W/100W/70W
Dimming	Contact Lunera for Compatibility	Contact Lunera for Compatibility
Physical		
Dimensions (H x W)	8.18" x 6.31" (Vertical Long) 5.01" x 6.31" (Vertical Short)	8.18" x 6.31" (Vertical Long) 5.01" x 6.31" (Vertical Short)
Weight	1.8lb (Vertical Long) 1.5lb (Vertical Short)	1.8lb (Vertical Long) 1.5lb (Vertical Short)
Housing and Finish	Plastic	Plastic
Heat Sink Size	6"	6"
Configuration	Vertical, Vertical Short Neck (V, VS)	Vertical, Vertical Short Neck (V, VS)
Lens	Frosted. Type V Option	Frosted. Type V Option
Environment		
Ambient Temperature*	-40°F to 150°F	-40°F to 150°F
Humidity Rating	Damp OK, no direct water spray	Damp OK, no direct water spray
Fixture Type	Open or enclosed	Open or enclosed
Installation		
Socket Type	Fits vertical mount medium base (E26) HID socket	Fits vertical mount medium base (E26) HID socket
Certifications & Qualifications		
UL (US and Canada)	Classified (UL1598-C)	Classified (UL1598-C)
FCC**	FCC is Compliant with Parts 15A/B	FCC is Compliant with Parts 15A/B
RoHS Compliant	Contains no lead or mercury	Contains no lead or mercury
LM79, LM80, IES Files	Available. Contact Lunera.	Available. Contact Lunera.
DesignLights Consortium Listed	No DLC Category	No DLC Category
Warranty		
Warranty	5 years	5 years

* Thermal IQ is a proprietary Lunera technology which enables the LUNERA HID LED VERTICAL to operate reliably up to 150°F ambient by dimming itself at extreme temperatures based upon thermal characteristics of the fixture in which it has been installed.

** Operation is subject to the following conditions:

- (1) this device may not cause harmful interference, and
- (2) this device must accept any interference received, including interference that may cause undesired operations.

+Approved Ballasts

HID Lamp Wattage	ANSI Ballast Codes	
	CWA MH	CWA HPS
250W	M58	S50
175W	M57	S60
150W	M102	S55
100W	M90	S54
70W	M98	S62

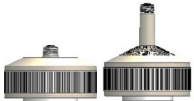



Lens Type V Option



*** Contact Lunera to order this optional lens

Application Notes

The LUNERA HID LED lamp is designed to replace Metal Halide (MH) and High Pressure Sodium (HPS) lamps in the following compatible applications:

Wattage Compatibilities	Sockets	Power Source	Mount
Lunera HID LED Medium (E26) Base  250W - 70W MH or HPS	E26 Medium 	CWA HID Ballast 	Vertical Mount Fixture Type  Parking Garage Low Bay

The LUNERA HID LED lamp can be used in open and fully enclosed fixtures.

This device is NOT rated for use with dimmers. Contact Lunera for luminaire level IES files with high bay and low bay fixtures.

Lunera HID LED Lamps supports operation with following ballasts:

Ballast Type	Ballast Input Voltage	Ballast Wattage
Constant Wattage Autotransformer (CWA)	480V ~ 120V	400W ~ 70W

Lunera HID LED lamp does NOT support operations with electronic HID or High-Reactance HID ballasts.

Warranty will be VOIDED if the product is installed into/with the following:

- CWA with power rating above 400W
- High-Reactance (HX-HPF) ballasts
- Installed with dimmers
- Electronic HID ballast
- LED Drivers
- Emergency battery backup
- Lamp installation while power is "ON" to the fixture

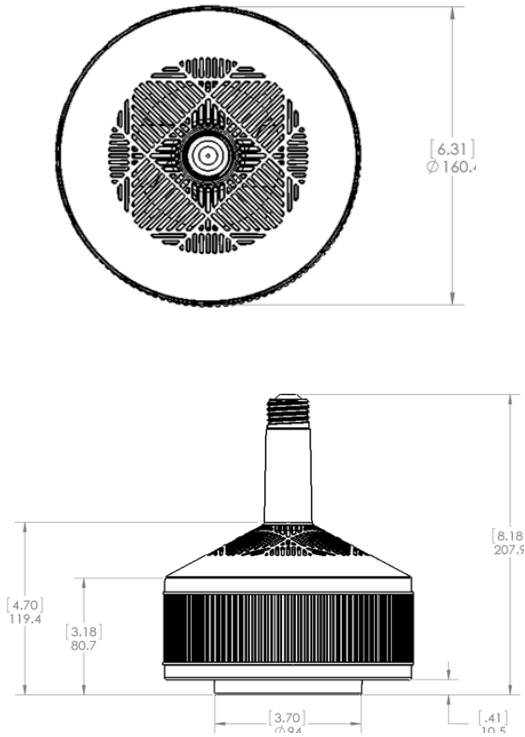
Caution

Turn power off when installing this lamp.

Product Dimensions

Measurements are exact. Dimensions are shown in millimeters and inches. Please contact your Lunera representative for other product dimensions.

Vertical E26 (V) / Vertical Uplight E26 (VU)
 9,900lm / 5,700lm
 Frosted Lens



Sample Part Numbers:

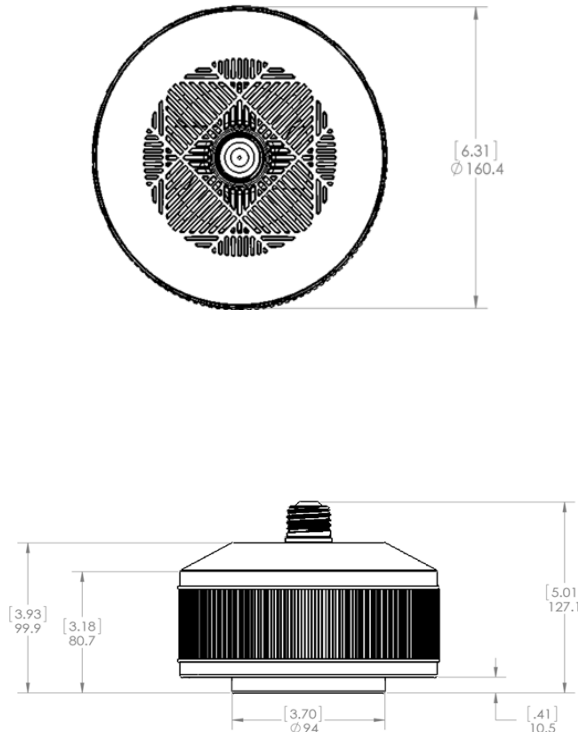
SN-V-E26-B-4.5KLM-8XX-G3
 SN-VU-E26-B-4.5KLM-8XX-G3
 SN-V-E26-B-9KLM-8XX-G3
 SN-VU-E26-B-9KLM-8XX-G3

'XX': may be 35 (3500K),
 40 (4000K), 50 (5000K)

CAUTION

Turn off power when installing the Lamp.

Vertical Short Neck E26 (VS) / Vertical Short Neck E26 (VSU)
 9,900lm / 5,700lm
 Frosted Lens



Sample Part Numbers:

SN-VS-E26-B-4.5KLM-8XX-G3
 SN-VSU-E26-B-4.5KLM-8XX-G3
 SN-VS-E26-B-9KLM-8XX-G3
 SN-VSU-E26-B-9KLM-8XX-G3

'XX': may be 35 (3500K),
 40 (4000K), 50 (5000K)