

# BeveLED Mini® Basic PANCAKE™

## OPTICS REPLACEMENT

### Downlight & Wall Wash Optics

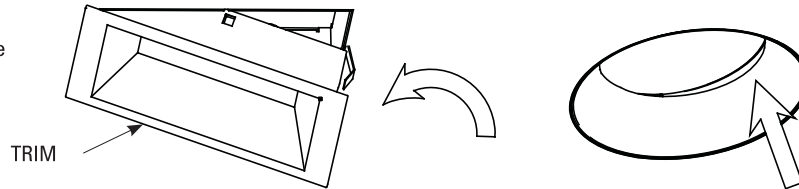
### CAUTION READ BEFORE INSTALLATION

READ CAREFULLY BEFORE INSTALLING FIXTURE. RETAIN THESE INSTRUCTIONS FOR FUTURE REFERENCE.

THIS PRODUCT MUST BE INSTALLED BY A PERSON FAMILIAR WITH THE CONSTRUCTION AND OPERATION OF THE PRODUCT AND THE HAZARDS INVOLVED, IN ACCORDANCE WITH THE APPLICABLE NEC CODE.

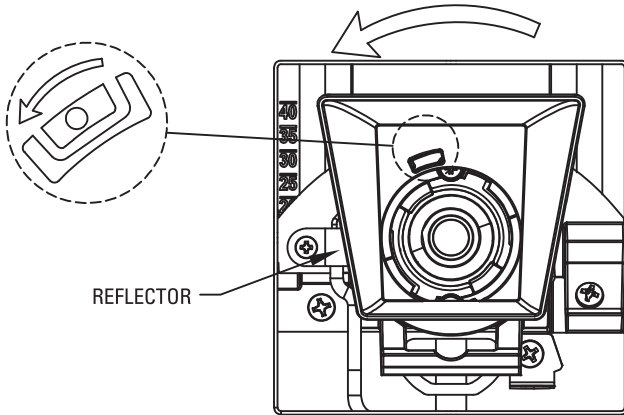
- Switch off main power before installation or maintaining fixture.
- Fixtures must be installed in applications where the ambient temperature does not exceed 40°C during normal operation.
- DO NOT connect or disconnect LED board wire connector when fixture is energized, as this may result in permanent damage to the LED array.
- We will not accept any warranty claims if incorrect driver or light engine is used.

1. Remove trim from aperture

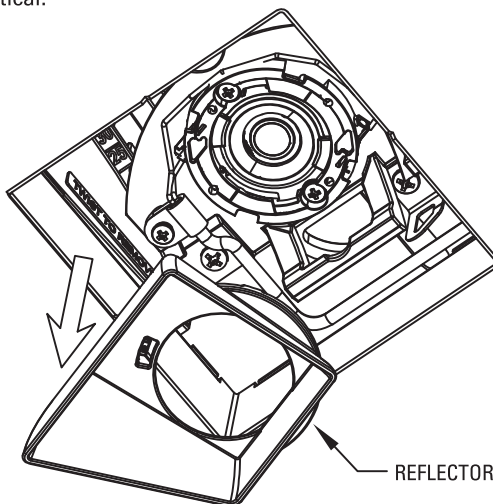


### WALL WASH:

2. Gently rotate reflector counter-clockwise 15 degrees.

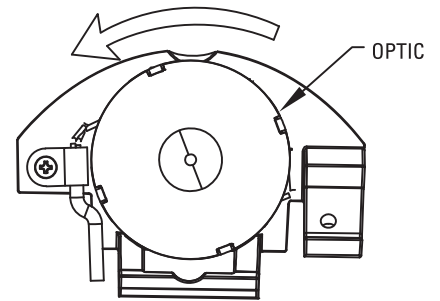


3. Pull reflector down and out. Re-install reflector in reverse order. Orientation is critical.

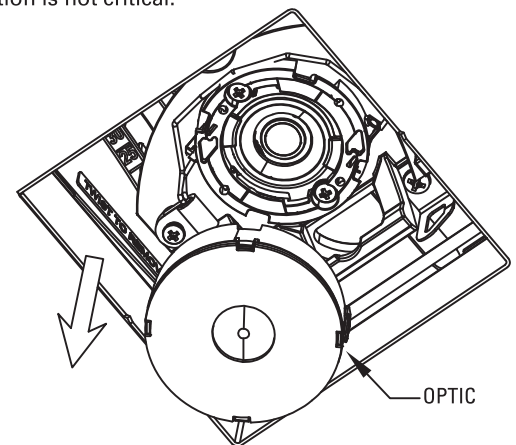


### DOWNLIGHT:

2. Gently rotate optic counter-clockwise 15 degrees.



3. Pull optic down and out. Re-install reflector in reverse order. Orientation is not critical.



# BeveLED Mini<sup>®</sup> Basic PANCAKE™

## OPTICS REPLACEMENT

### Adjustable Optics

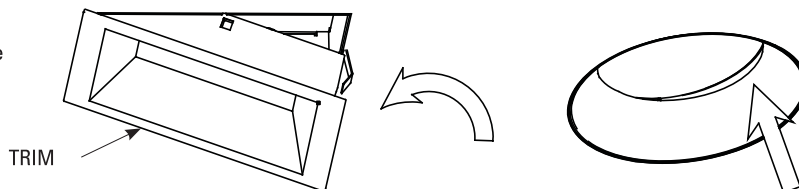
#### CAUTION READ BEFORE INSTALLATION

READ CAREFULLY BEFORE INSTALLING FIXTURE. RETAIN THESE INSTRUCTIONS FOR FUTURE REFERENCE.

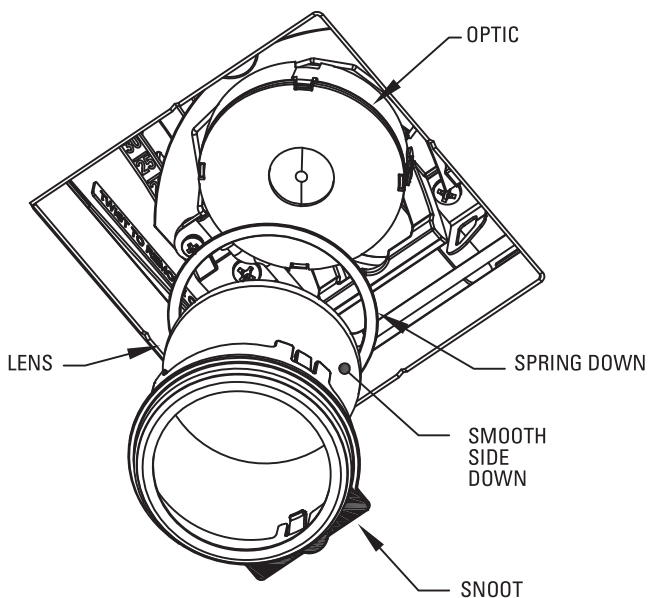
THIS PRODUCT MUST BE INSTALLED BY A PERSON FAMILIAR WITH THE CONSTRUCTION AND OPERATION OF THE PRODUCT AND THE HAZARDS INVOLVED, IN ACCORDANCE WITH THE APPLICABLE NEC CODE.

- Switch off main power before installation or maintaining fixture.
- Fixtures must be installed in applications where the ambient temperature does not exceed 40°C during normal operation.
- DO NOT connect or disconnect LED board wire connector when fixture is energized, as this may result in permanent damage to the LED array.
- We will not accept any warranty claims if incorrect driver or light engine is used.

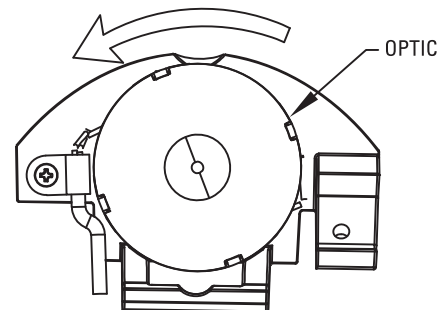
1. Remove trim from aperture



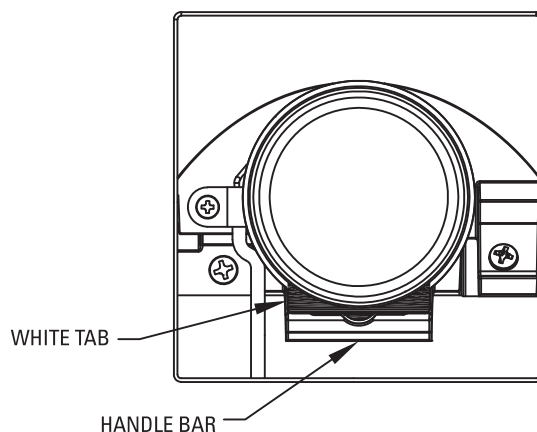
2. Pull snoot assembly out.



2. Gently rotate optic counter-clockwise 15 degrees.



3. Pull optic down and out. Re-install new optic/snoot in reverse order. Snoot is "keyed". White tab to line up with handle bar.



# BeveLED Mini<sup>®</sup> Basic PANCAKE™

## LED SERVICE INSTRUCTIONS

### Required tools:

- #2 Phillips screw driver
- Razor Blade

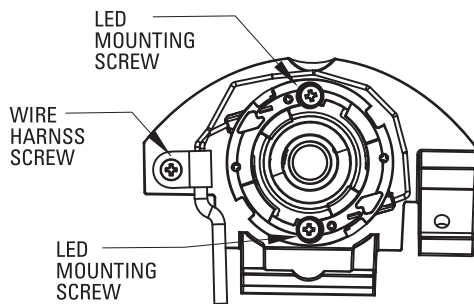
### CAUTION READ BEFORE INSTALLATION

READ CAREFULLY BEFORE INSTALLING FIXTURE. RETAIN THESE INSTRUCTIONS FOR FUTURE REFERENCE.

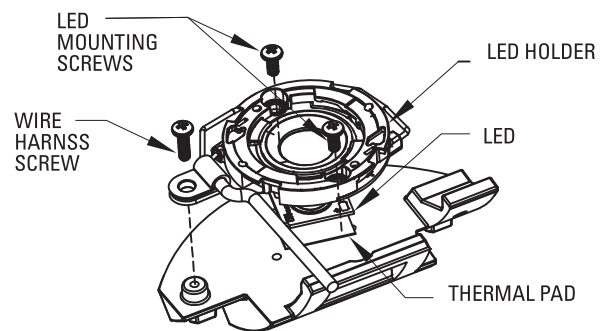
THIS PRODUCT MUST BE INSTALLED BY A PERSON FAMILIAR WITH THE CONSTRUCTION AND OPERATION OF THE PRODUCT AND THE HAZARDS INVOLVED, IN ACCORDANCE WITH THE APPLICABLE NEC CODE.

- Switch off main power before installation or maintaining fixture.
- Fixtures must be installed in applications where the ambient temperature does not exceed 40°C during normal operation.
- DO NOT connect or disconnect LED board wire connector when fixture is energized, as this may result in permanent damage to the LED array.
- We will not accept any warranty claims if incorrect driver or light engine is used.

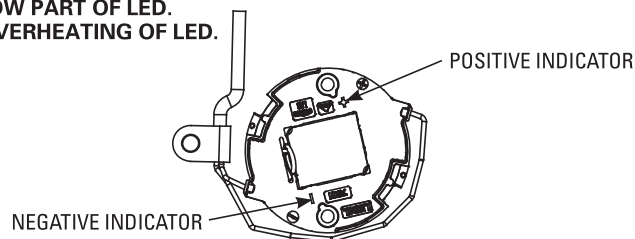
1. Disconnect power to fixture.
2. Remove trim and optics (see page 1 & 2).
3. Unscrew LED holder using a #2 Phillips screwdriver and wire harness clamp.



4. Remove old LED and thermal pad. Clean heatsink mounting surface. Ensure old thermal pad is completely removed and heatsink surface is free of residue or pieces of old thermal pad. If necessary, scrape with razor blade for clean contact with heatsink surface.



**CAUTION: DO NOT TOUCH YELLOW PART OF LED. CONTAMINATION CAN CAUSE OVERHEATING OF LED.**



5. Snap LED into holder. Make sure to match polarities (+) LED with (+) holder. Same with (-).
6. Attach LED holder to heatsink with (2) LED mounting screws and (1) wire harness clamp. Tighten screws with #2 Philips screwdriver until snug.  
**WARNING: DO NOT OVERTIGHTEN**
7. Install optic and trim.

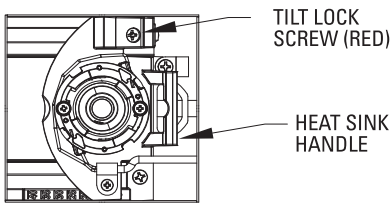
# BeveLED Mini® Basic PANCAKE™

## DRIVER SERVICE INSTRUCTIONS

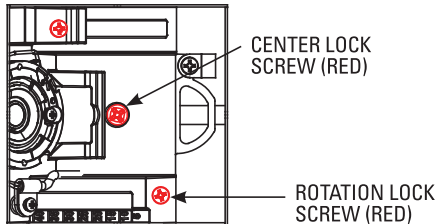
### Required tools:

- #2 Phillips screw driver

1. Disconnect power to fixture.
2. Remove trim and optics (see page 1 & 2).
3. Loosen Tilt Lock Screw. Manually tilt Heat Sink using handle to expose Center Lock Screw.



4. Loosen but do not remove Rotation Lock Screw and Center Lock Screw.



6. Unsnap Driver Door. Rotate and pull through aperture.
7. Unplug driver disconnects.

### CAUTION READ BEFORE INSTALLATION

READ CAREFULLY BEFORE INSTALLING FIXTURE. RETAIN THESE INSTRUCTIONS FOR FUTURE REFERENCE.

THIS PRODUCT MUST BE INSTALLED BY A PERSON FAMILIAR WITH THE CONSTRUCTION AND OPERATION OF THE PRODUCT AND THE HAZARDS INVOLVED, IN ACCORDANCE WITH THE APPLICABLE NEC CODE.

- Switch off main power before installation or maintaining fixture.
- Fixtures must be installed in applications where the ambient temperature does not exceed 40°C during normal operation.
- DO NOT connect or disconnect LED board wire connector when fixture is energized, as this may result in permanent damage to the LED array.
- We will not accept any warranty claims if incorrect driver or light engine is used.

5. Shift Heatsink unit away from aperture.

