

SORAA® VIVID LED PAR 38 4000K 18.5W



OUTPUT	1140-25060 CBCP, 1040 Lumens
BEAM	9°, 25°, 36°, 60°
COLOR	CCT: 4000K CRI>95, R9 95
APPLICATION	Halogen replacement for indoor and outdoor applications

PERFORMANCE

CBCP matches standard incandescent and halogen lamps
 Single light source, single crisp shadow
 Narrow spot compatible with Soraa SNAP System accessories

COLOR AND WHITENESS

Rich saturated color rendering
 Excellent color stability
 Superior white rendering based on >70% excitation of Optical Brightening Agents (OBA) with spectral emission between 400nm and 440nm

OPTIMIZED FORM

Compatible with standard fixtures
 Proprietary fanless aluminum design for superior thermal dissipations

HIGHLY COMPATIBLE

Works with trailing edge and leading edge phase cut dimmers (see complete list at www.soraa.com)

SPECIFICATIONS*

Color	Electrical	Form Factor
CCT: 4000K	Dimmable to 10%	Width: 4.80"
CRI>95, R9>95	Power factor: 0.90	Height: 4.92"
White point: Within 4-step McAdam ellipse	Voltage: 120V +/- 12V	Weight: 305g

Reference Number	Product Code	Beam	Field	CBCP	Watts	Halogen Equip**	Lumen	Lm/W
SP38-18-09D-940-03	01009	9°	13°	25060	18.5	100W	1040	56
SP38-18-25D-940-03	01011	25°	38°	5600	18.5	100W	1040	56
SP38-18-36D-940-03	01013	36°	53°	2600	18.5	100W	1040	56
SP38-18-60D-940-03	TBD	60°	82°	1140	18.5	100W	1040	56

*at stable warm operating conditions (25°C ambient)

**Energy Star minimum

120V



4000K

CRI >95



LONG LIFE, LOW MAINTENANCE

Life of 35,000 hours. Three year warranty

ENERGY EFFICIENT

80% more energy efficient than standard halogen lamps

Typical payback of one year or less



DIM



INTENDED USE AND APPLICATIONS

Intended for use in PAR38 compatible recessed downlights, track lighting and other indoor applications

Can be used in fully enclosed fixtures

Operating Temperature - Minimum: -40°C (ambient), Typical: 80-110°C (base), Maximum: 120°C (base)

Soraa lamps are designed to safely shut down due to conditions in any thermal environment not conducive to minimum airflow or proper ventilation

Suitable for damp locations



POWERED BY



RoHS

SORAA VIVID LED PAR 38 4000K 18.5W

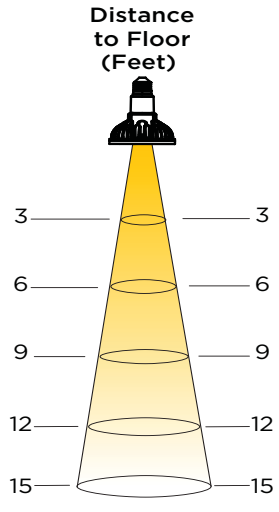
PHOTOMETRICS

Narrow Spot 9°

Beam Dia at 50% CBCP (ft)	Field Dia at 10% CBCP (ft)	Foot-candles
0.42	0.68	2784
0.84	1.37	696
1.26	2.05	309
1.68	2.73	174
2.10	3.42	111

Narrow Flood 25°

Beam Dia at 50% CBCP (ft)	Field Dia at 10% CBCP (ft)	Foot-candles
1.33	2.07	622
2.66	4.13	156
3.99	6.20	69
5.32	8.26	39
6.65	10.33	25



Flood 36°

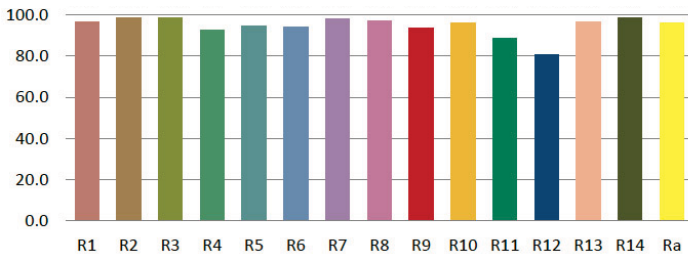
Beam Dia at 50% CBCP (ft)	Field Dia at 10% CBCP (ft)	Foot-candles
1.95	2.99	289
3.90	5.98	72
5.85	8.97	32
7.80	11.97	18
9.75	14.96	12

Wide Flood 60°

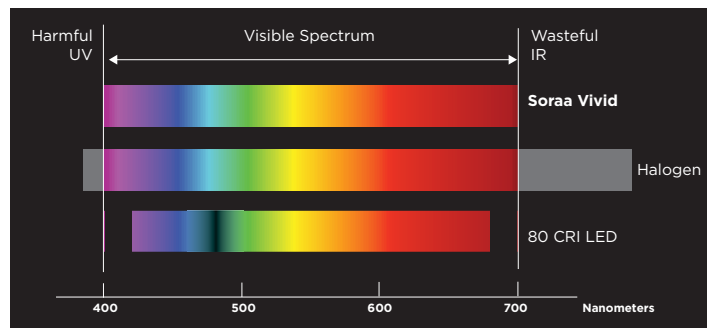
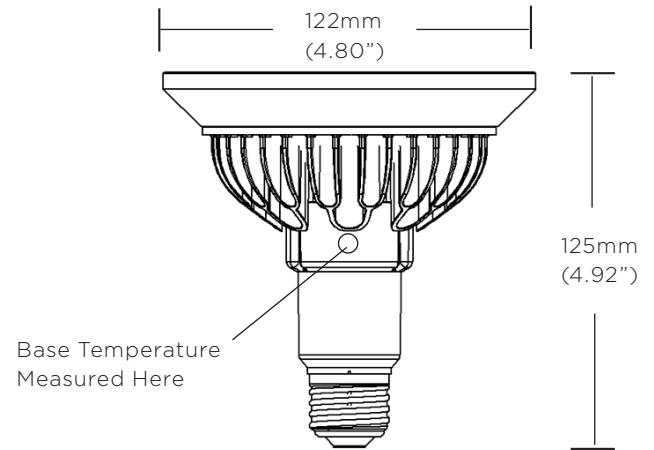
Beam Dia at 50% CBCP (ft)	Field Dia at 10% CBCP (ft)	Foot-candles
3.46	5.22	127
6.93	10.43	32
10.39	15.65	14
13.86	20.86	8
17.32	26.08	5

COLOR RENDERING

CRI - Relative R Values



DIMENSIONS



SAFETY NOTE ON HEAT

Soraa's unique LED technology allows its lamps to operate effectively and efficiently at higher temperatures than other LED lamps, resulting in more light output per diode. Although Soraa's lamps operate at cooler temperatures than halogen lamps, it is recommended that gloves be worn when handling bare lamps that have been energized.

TRANSFORMER/DIMMER COMPATIBILITY

Dimmable to 10% or lower, depending on dimmer. Complete transformer and dimmer compatibility information available at www.soraa.com.