

# SORAA® VIVID LED PAR 38 2700K 18.5W



<b>OUTPUT</b>	1020-22400 CBCP, 930 Lumens
<b>BEAM</b>	9°, 25°, 36°, 60°
<b>COLOR</b>	CCT: 2700K CRI>95, R9 95
<b>APPLICATION</b>	Halogen replacement for indoor and outdoor applications

## PERFORMANCE

CBCP matches standard incandescent and halogen lamps  
 Single light source, single crisp shadow  
 Narrow spot compatible with Soraa SNAP System accessories

## COLOR AND WHITENESS

Rich saturated color rendering  
 Excellent color stability  
 Superior white rendering based on >70% excitation of Optical Brightening Agents (OBA) with spectral emission between 400nm and 440nm

## OPTIMIZED FORM

Compatible with standard fixtures  
 Proprietary fanless aluminum design for superior thermal dissipations

## HIGHLY COMPATIBLE

Works with trailing edge and leading edge phase cut dimmers (see complete list at [www.soraa.com](http://www.soraa.com))

## SPECIFICATIONS\*

Color	Electrical	Form Factor
CCT: 2700K	Dimmable to 10%	Width: 4.80"
CRI>95, R9>95	Power factor: 0.90	Height: 4.92"
White point: Within 3-step McAdam ellipse	Voltage: 120V +/- 12V	Weight: 305g

Reference Number	Product Code	Beam	Field	CBCP	Watts	Halogen Equiv**	Lumen	Lm/W
SP38-18-09D-927-03	00977	9°	13°	22400	18.5	100W	930	50
SP38-18-25D-927-03	00979	25°	38°	5020	18.5	100W	930	50
SP38-18-36D-927-03	00981	36°	53°	2320	18.5	100W	930	50
SP38-18-60D-927-03	TBD	60°	82°	1020	18.5	100W	930	50

\*at stable warm operating conditions (25°C ambient)

\*\*Energy Star minimum

120V

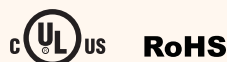


2700K

CRI >95



DIM



# SORAA VIVID LED PAR 38 2700K 18.5W

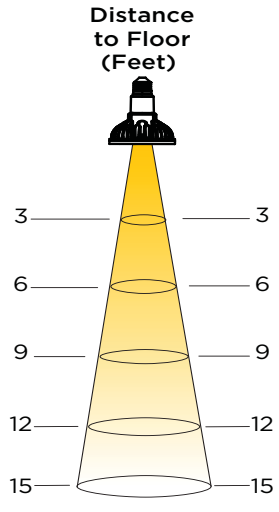
## PHOTOMETRICS

### Narrow Spot 9°

Beam Dia at 50% CBCP (ft)	Field Dia at 10% CBCP (ft)	Foot-candles
0.42	0.68	2489
0.84	1.37	622
1.26	2.05	277
1.68	2.73	156
2.10	3.42	100

### Narrow Flood 25°

Beam Dia at 50% CBCP (ft)	Field Dia at 10% CBCP (ft)	Foot-candles
1.33	2.07	558
2.66	4.13	139
3.99	6.20	62
5.32	8.26	35
6.65	10.33	22



### Flood 36°

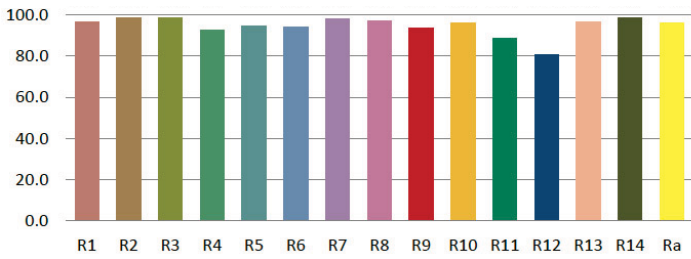
Beam Dia at 50% CBCP (ft)	Field Dia at 10% CBCP (ft)	Foot-candles
1.95	2.99	258
3.90	5.98	64
5.85	8.97	29
7.80	11.97	16
9.75	14.96	10

### Wide Flood 60°

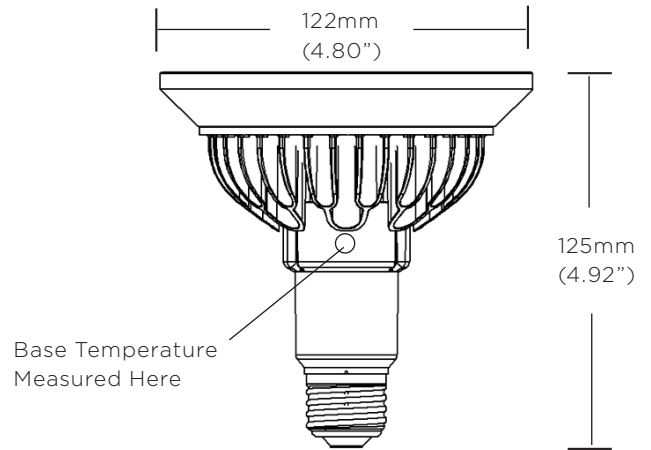
Beam Dia at 50% CBCP (ft)	Field Dia at 10% CBCP (ft)	Foot-candles
3.46	5.22	113
6.93	10.43	28
10.39	15.65	13
13.86	20.86	7
17.32	26.08	5

## COLOR RENDERING

CRI - Relative R Values



## DIMENSIONS



## SAFETY NOTE ON HEAT

Soraa's unique LED technology allows its lamps to operate effectively and efficiently at higher temperatures than other LED lamps, resulting in more light output per diode. Although Soraa's lamps operate at cooler temperatures than halogen lamps, it is recommended that gloves be worn when handling bare lamps that have been energized.

## TRANSFORMER/DIMMER COMPATIBILITY

Dimmable to 10% or lower, depending on dimmer. Complete transformer and dimmer compatibility information available at [www.soraa.com](http://www.soraa.com).

