



CUSTOMER NAME \_\_\_\_\_

PROJECT NAME \_\_\_\_\_

DATE \_\_\_\_\_ TYPE \_\_\_\_\_

CATALOG NUMBER \_\_\_\_\_

## EACL® Series

### LED Area Light/Compact Low Wattage

Current's EAL Series of Area Light Luminaires offer a wide range of optical patterns, color temperatures, lumen packages, and mounting configurations to optimize area light applications, as well as provide versatility in lighting design within the same form factor.

### Construction

<b>Housing:</b>	Die-cast aluminum housing with integral heat sink for maximum heat transfer
<b>Paint:</b>	Corrosion resistant polyester powder paint, minimum 2.0 mil thickness Standard = Black, Dark Bronze Gray, White (RAL & custom colors available) Optional coastal finish available.
<b>Weight:</b>	18 lbs (8.16 kg) Max depending on configuration

### Optical System

<b>Lumens:</b>	2,900 - 20,400
<b>Distribution:</b>	Asymmetric Forward Type IV Asymmetric Wide Type III Asymmetric Narrow/Auto Type II
<b>Efficacy:</b>	123 - 143 LPW
<b>CCT:</b>	3000K, 4000K, 5000K
<b>CRI:</b>	≥70

### Electrical

<b>Input Voltage:</b>	120-277V & 347-480V
<b>Input Frequency:</b>	50/60Hz
<b>Power Factor:</b>	> 90% at rated watts
<b>Total Harmonic Distortion:</b>	< 20% at rated watts

### Surge Protection\*

TYPICAL (120 STRIKES)	ENHANCED (40 STRIKES)
6kV/3kA*	10kV/5kA*

\*Per ANSI C136.2-2015

### Warranty

5 Year (Standard)

### Lumen Maintenance

#### Projected Lxx per IES TM-21-11 at 25°C

LUMEN CODES	LXX(10K) @ HOURS		
	25,000 HR	50,000 HR	60,000 HR
<b>A2, A3, A4, B2, B3, B4, C2, C3, C4D2, D3, D4, E2, E3, E4, F2, F3, F4</b>	L94	L90	L88
<b>H2,H3, H4</b>	L97	L96	L96

Note: Projected Lxx based on LM80 (≥ 10,000 hour testing). Accepted Industry tolerances apply to initial luminous flux and lumen maintenance measurements.

### Luminaire Ambient Temperature Factor

AMBIENT TEMP (°C)	INITIAL FLUX FACTOR	AMBIENT TEMP (°C)	INITIAL FLUX FACTOR
10	1.02	30	0.99
20	1.01	40	0.98
25	1.00	50	0.97

### Ratings

<b>Operating Temperature:</b>	-40°C to 50°C
<b>Vibration:</b>	3G vibration per ANSI C136.31-2018
<b>LM-79:</b>	Testing in accordance with IESNA Standards

### Controls

<b>Dimming:</b>	Standard - 0-10V Optional - DALI (Option U)
<b>Sensors:</b>	Photo Electric Sensors (PE) available LightGrid+™ and Daintree Compatible



Not all product variations listed on this page are DLC qualified. Visit [www.designlights.org/search](http://www.designlights.org/search) to confirm qualifications.



CUSTOMER NAME \_\_\_\_\_

PROJECT NAME \_\_\_\_\_

DATE \_\_\_\_\_ TYPE \_\_\_\_\_

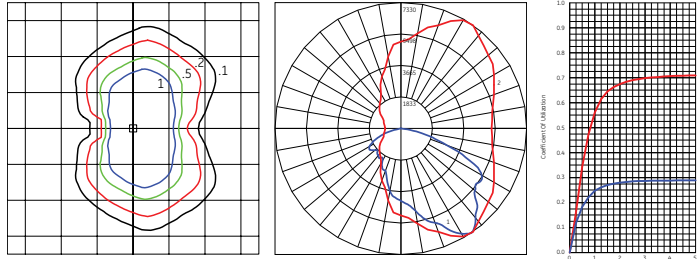
CATALOG NUMBER \_\_\_\_\_

OPTICAL CODE	DIST CODE	CLASSIFICATION	TYPICAL LUMENS		TYPICAL SYSTEM WATTAGE		BUG RATING	
			3000K	4000K & 5000K	120-277V	347-480V	3000K	4000K & 5000K
A4	AF	TYPE IV	2900	2900	21	23	B1-UO-G1	B1-UO-G1
B4			4900	4900	36	38	B1-UO-G1	B1-UO-G1
C4			7300	7300	55		B1-UO-G2	B1-UO-G2
D4			9800	9800	73		B2-UO-G2	B2-UO-G2
E4			12200	12200	95		B2-UO-G2	B2-UO-G2
F4			14700	14700	122		B2-UO-G2	B2-UO-G2
H4			19000	19000	153		B3-UO-G3	B3-UO-G3
A3			AW	TYPE III	2900	3000	21	23
B3	4900	5100			36	38	B1-UO-G1	B1-UO-G1
C3	7400	7600			55		B1-UO-G2	B1-UO-G2
D3	9900	10200			73		B2-UO-G2	B2-UO-G2
E3	12400	12700			95		B2-UO-G2	B2-UO-G2
F3	14900	15300			122		B2-UO-G2	B2-UO-G2
H3	19300	20400			153		B3-UO-G2	B3-UO-G2
A2	AN	TYPE II			2900	3000	21	23
B2			4900	5000	36	38	B1-UO-G1	B1-UO-G1
C2			7300	7500	55		B2-UO-G1	B2-UO-G2
D2			9800	10100	73		B2-UO-G2	B2-UO-G2
E2			12300	12600	95		B2-UO-G2	B2-UO-G2
F2			14700	15100	122		B3-UO-G2	B3-UO-G3
H2			19100	20200	153		B3-UO-G3	B3-UO-G3

For additional information on Non-Shielded and Shielded EACL IES files, please refer to [LED.com](http://LED.com)

### EACL - Type II - Very Short

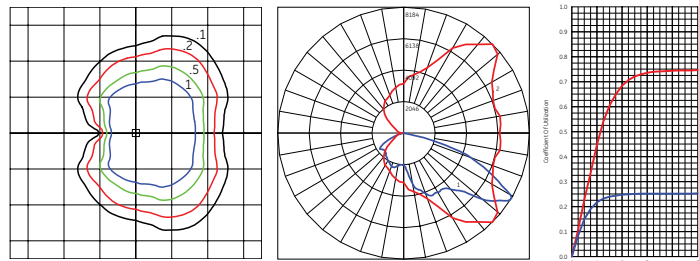
15,100 lumens  
EACL01\_F2AN750\_\_\_.IES



Grid Distance in Units of Mounting Height at 20° Initial Footcandle Values at Grade — Vertical plane through horizontal angle of maximum candlepower at XX°  
— Vertical plane through horizontal angle of XX°

### EACL - Type III - Short

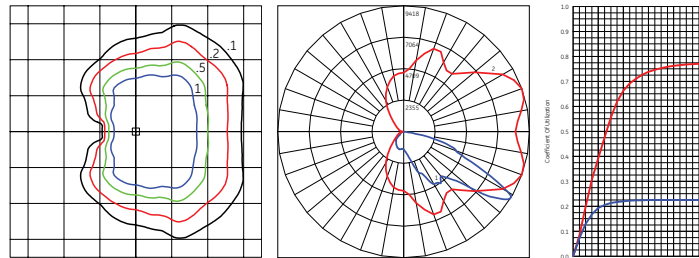
15,300 lumens  
EACL01\_F3AW750\_\_\_.IES



Grid Distance in Units of Mounting Height at 20° Initial Footcandle Values at Grade — Vertical plane through horizontal angle of maximum candlepower at XX°  
— Vertical plane through horizontal angle of XX°

### EACL - Type III - Very Short

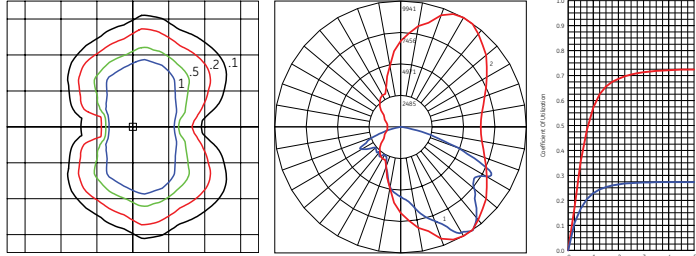
15,000 lumens  
EACL01\_F4AF750\_\_\_.IES



Grid Distance in Units of Mounting Height at 20° Initial Footcandle Values at Grade — Vertical plane through horizontal angle of maximum candlepower at XX°  
— Vertical plane through horizontal angle of XX°

### EACL - Type II - Very Short

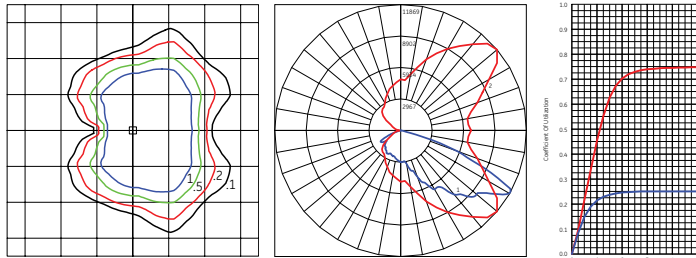
20,200 lumens  
EACL01\_H2AN750\_\_\_IES



Grid Distance in Units of Mounting Height at 20' Initial Footcandle Values at Grade — Vertical plane through horizontal angle of maximum candlepower at XX°  
— Vertical plane through horizontal angle of XX°

### EACL - Type III - Short

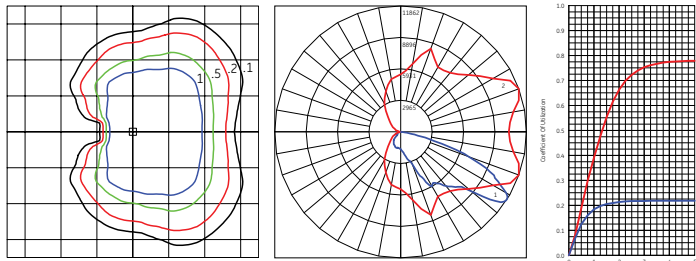
20,400 lumens  
EACL01\_H3AW750\_\_\_IES



Grid Distance in Units of Mounting Height at 20' Initial Footcandle Values at Grade — Vertical plane through horizontal angle of maximum candlepower at XX°  
— Vertical plane through horizontal angle of XX°

### EACL - Type IV - Very Short

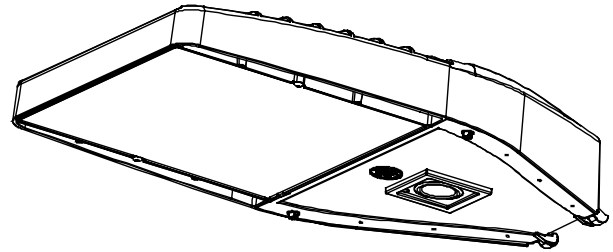
20,000 lumens  
EACL01\_H4AF750\_\_\_IES



Grid Distance in Units of Mounting Height at 20' Initial Footcandle Values at Grade — Vertical plane through horizontal angle of maximum candlepower at XX°  
— Vertical plane through horizontal angle of XX°

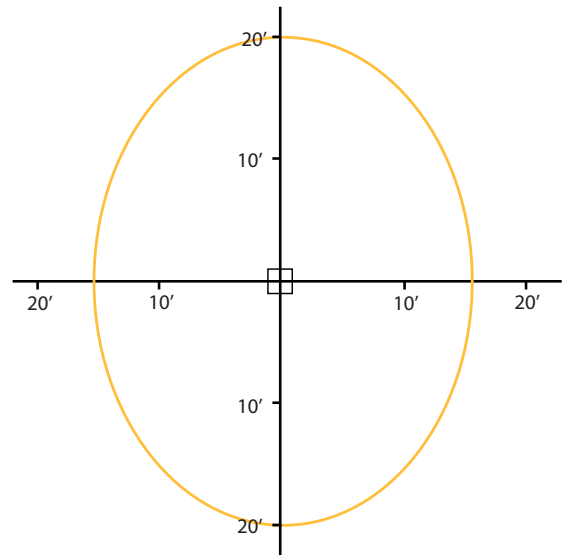
### H-Motion Sensing Option

- Recommended Mounting Height: 15-30' (4.6-9.1m)
- For mounting heights exceeding 30 ft., pole mounted sensors are recommended
- Coverage Radius: 15-20' (4.6-6.1 m).
- Provides 270 degree of coverage (approx 90 is blocked by the pole)
- Default Settings:
  - Output: Occupied - 100%/Unoccupied - 50%
  - Integral PE Sensor.
  - 5 minute post-occupancy time delay, 5 minute dimming ramp-down.
- Fixture power increase of 1W expected with sensor use.



### H1/4 - Motion Sensing Option (WattStopper)

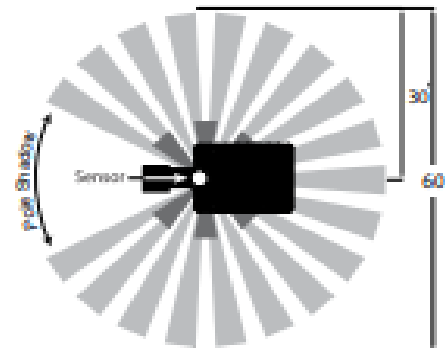
- Recommended Mounting Height: 15-30' (4.6-9.1m)
- For mounting heights exceeding 30 ft., pole mounted sensors are recommended
- Coverage Radius: 15-20' (4.6-6.1 m).
- Provides 270 degree of coverage (approx 90 is blocked by the pole)
- Default Settings:
  - Output: Occupied - 100%/Unoccupied - 10%
  - PE Sensor: Disabled
  - Ramp/Fade: Disabled
- Adds < 1W to fixture power rating
- Field programmable using FSIR-100 hand held programmer



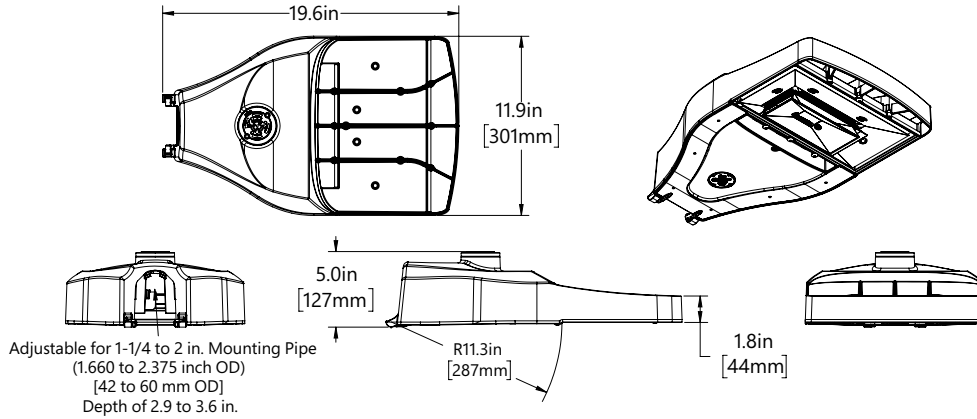
### H2 - Motion Sensing Option (Daintree)

- Recommended Mounting Height: 15-30' (4.6-9.1m)
- For mounting heights exceeding 30 ft., pole mounted sensors are recommended
- Provides a coverage area radius for walking motion of 15-20 ft. (4.57-6.10m)
- Provides 270 degree of coverage (approx 90 is blocked by the pole)
- Default Settings:
  - Output: Occupied - 100%/Unoccupied - 50%
  - PE Sensor: None
  - Ramp/Fade: 5 Minutes/5 Minutes
- Adds < 1W to fixture power rating
- Requires Daintree Enterprise and wide area control (WAC)

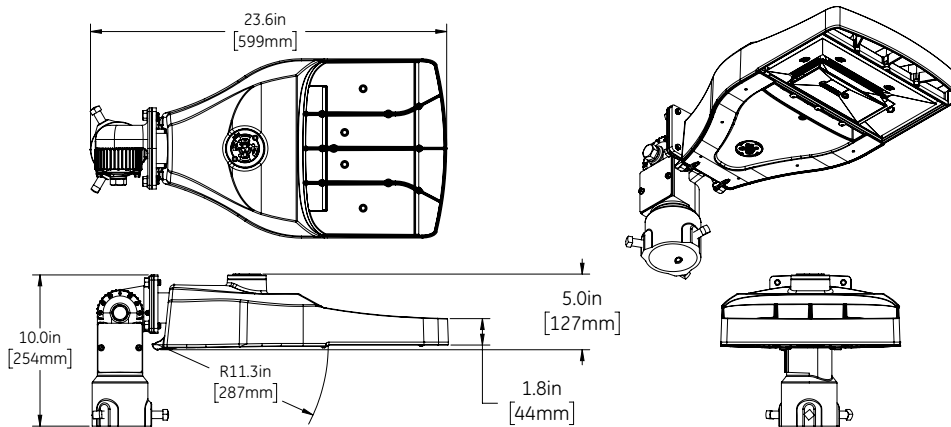
Sensing Pattern Area Fixture  
Up to 30 ft. Mounting Height



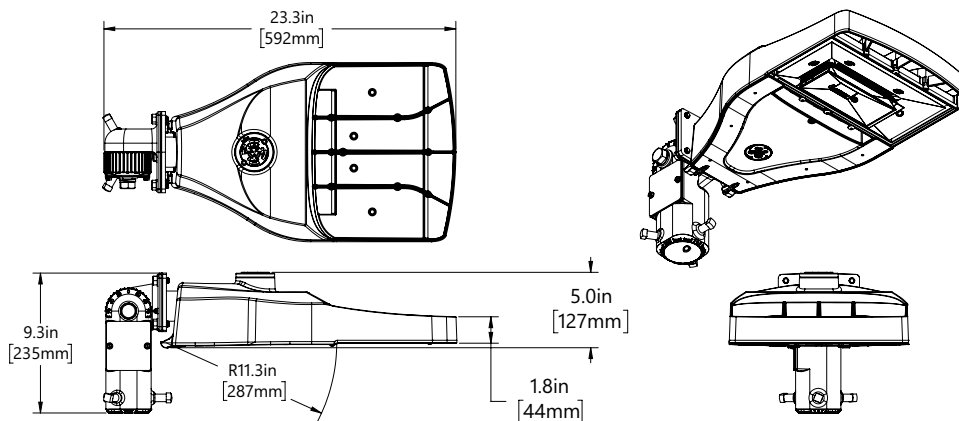
### Integral Slipfitter: C1



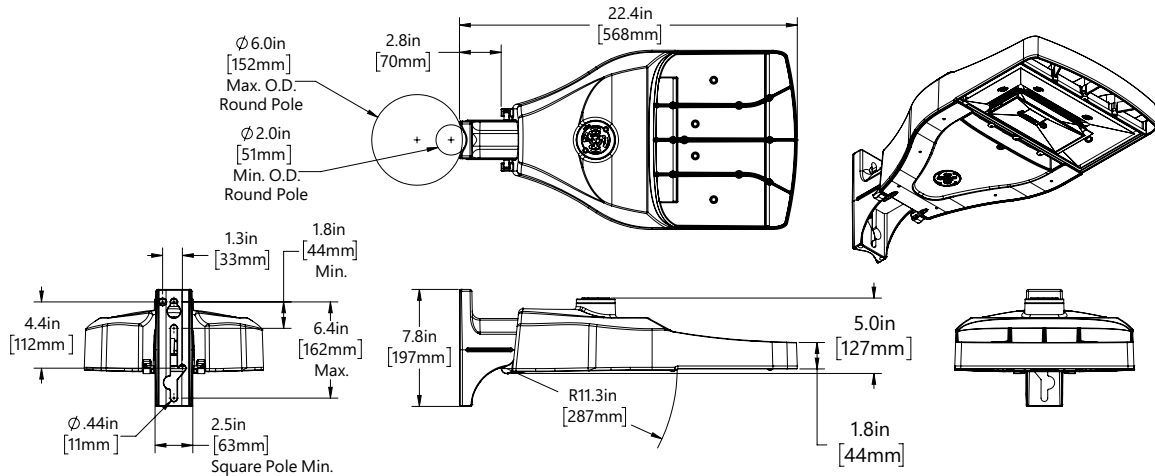
### Knuckle Slipfitter: S1



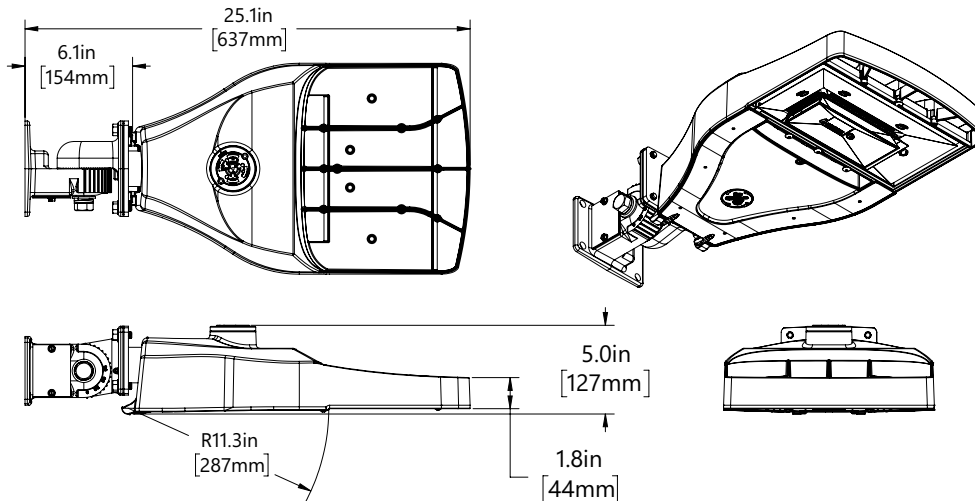
### Knuckle Slipfitter: K1



### Universal Mounting Arm: D1



### Knuckle Wall Mount: V1



### Weight

- 18 lbs (8.16 kg) Max depending on configuration

### Effective Projected Area

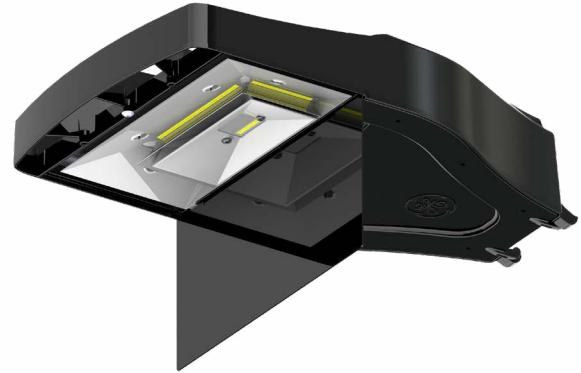
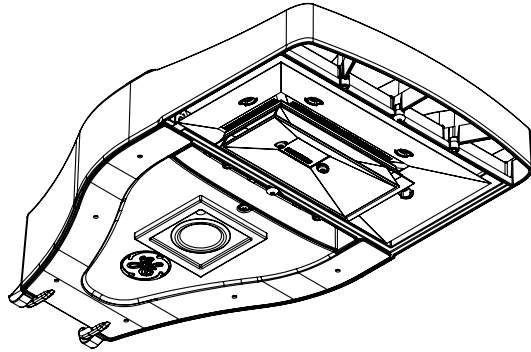
- Integral Slipfitter C1, EPA = 0.31 Min/0.37 Max
- Universal Arm Mount D1, EPA = 0.31 Min / 0.52 Max
- Knuckle Slipfitter S1, K1 downward aim, EPA = 0.46 Min / 0.56 Ma
- Knuckle Slipfitter S1, K1 45° aim, EPA = 0.56 Min / 1.03 Max

CUSTOMER NAME \_\_\_\_\_

PROJECT NAME \_\_\_\_\_

DATE \_\_\_\_\_ TYPE \_\_\_\_\_

CATALOG NUMBER \_\_\_\_\_



### PE Accessories (To Be Order Separately)

SAP NUMBER	PART NUMBER	DESCRIPTION
93123552	WANSI - 277	ANSI 136.41 Dimming PE Danitree Enable, 105-305V
93123553	WANSI - 480	ANSI 136.41 Dimming PE Danitree Enable, 312-530V
93029237	PED-MV-LED-7	ANSI C136.41 Dimming PE, 120-277V
93029238	PED-347-LED-7	ANSI C136.41 Dimming PE, 347V
93029239	PED-480-LED-7	ANSI C136.41 Dimming PE, 480V

SAP NUMBER	PART NUMBER	DESCRIPTION
28299	PEC0TL	STANDARD 120-277V
28294	PEC5TL	STANDARD 480V
80436	PECDTL	STANDARD 347V
73251	SCCL-PECTL	Shorting cap

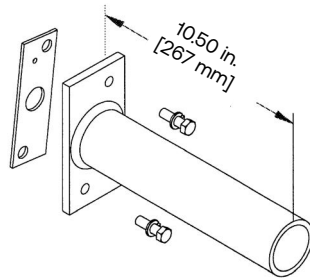
### Back Light Shield

SHIELD ORIENTATIONS	CUTOFF DISTANCE	SHIELD ORDER LOGIC
Back	Long	ELS-EACL-RBL-BLCK

### Mounting Arms for Slipfitter Order separately with Mounting Option C1 (Slipfitter)

#### Square pole mounting arm

- 3.5 to 4.5-inch (89 to 114mm) square (will allow 4 fixtures per pole @ 90 degrees.)

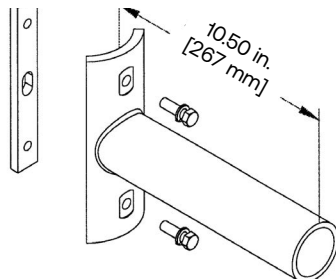


#### Order separately from fixture as catalog number

- SPA-EAMT10BLCK "Black"
- SPA-EAMT10DKBZ "Dark Bronze"
- SPA-EAMT10WHTE "White"
- SPA-EAMT10GRAY "Gray"

#### Round Pole Mounting Arm

- 3.5 to 4.5-inch (89 to 114mm) od (will allow 4 fixtures per pole @ 90 degrees.)



#### Order separately from fixture as catalog number

- RPA-EAMT10BLCK "Black"
- RPA-EAMT10DKBZ "Dark Bronze"
- RPA-EAMT10WHTE "White"
- RPA-EAMT10GRAY "Gray"

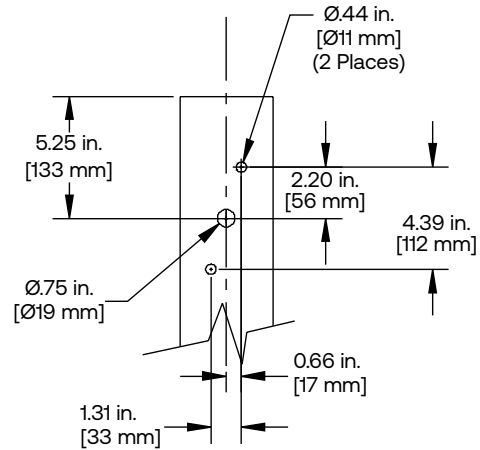
#### Wall Mounting Bracket Adapter Plate

Order separately from fixture as catalog number  
WMB-EAMT06

\*NOTE: For Wall Mounting, order luminaire with mounting arm: C1 = Slipfitter 2" Pipe (2.378 in. OD) supplied with leads.

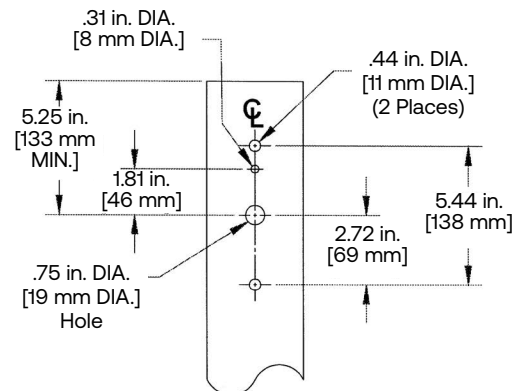
Other mounting patterns are available for retrofit installations. Contact manufacturing for other available mounting patterns.

#### Square pole mounting drilling template



#### Round Pole Mounting Drilling Template

- 3.5 TO 4.5-inch (89 to 114mm) OD round pole mounting arm



#### Wall MOUNTING Bracket Hole Pattern

