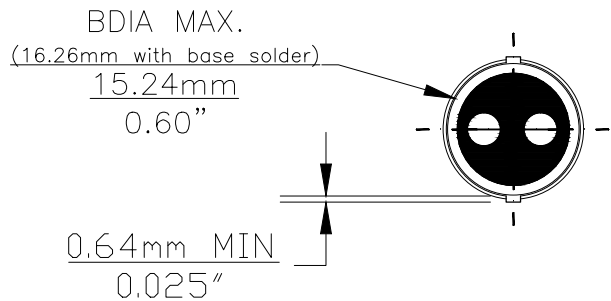
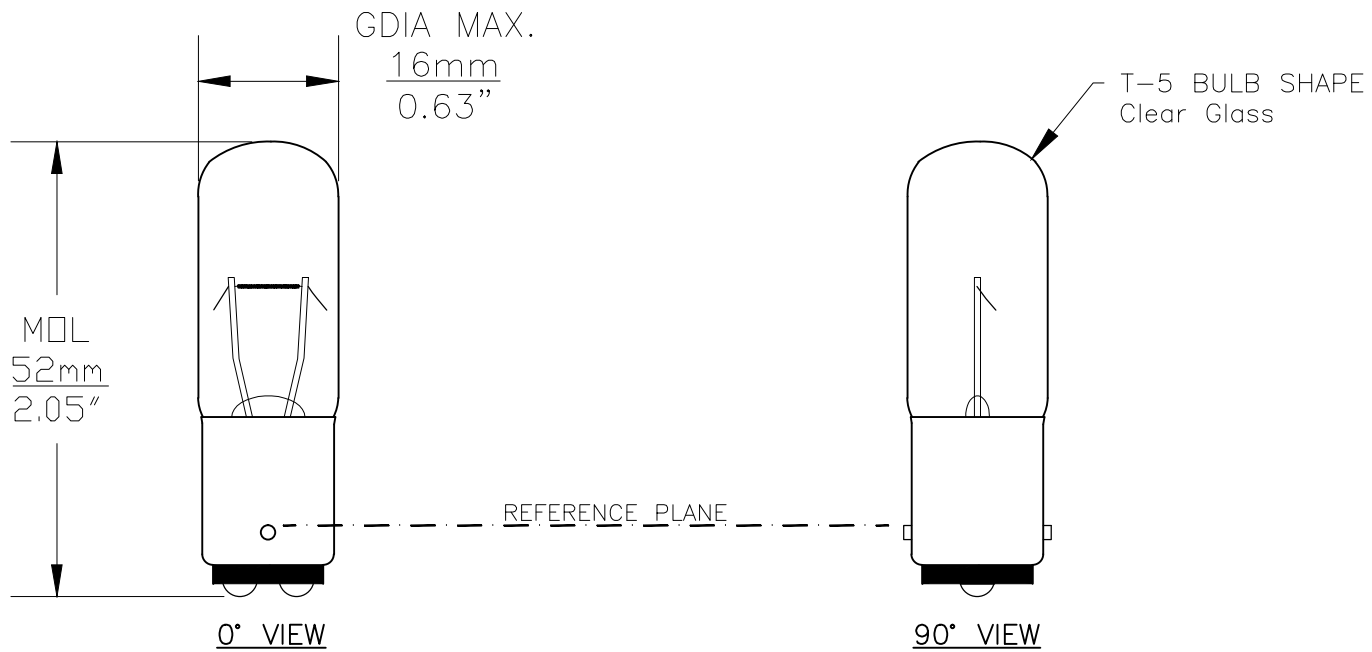




Since 1959

PART NO.	BASE TYPE	DESIGN VOLTS	DESIGN AMPS	LUMENS	FILAMENT TYPE	AVERAGE LIFE HOURS	REVISIONS			
							REV #	DESCRIPTION	DATE	APPROVED
30/24V-B15D	S.C. Bayonet (BA15d)	24V	0.35±10%	75 ±25%	CC-6	1000	1	ISSUED	05/23/2018	R.M.

Test volt: 30V



BASE BOTTOM VIEW

Note: Made according to SAE specifications



UNLESS OTHERWISE SPECIFIED: DIMENSIONS ARE IN INCHES TOLERANCES		CEC INDUSTRIES LTD	
DECIMALS .XX ± .05	ANGULAR ± 0.5°	599 BOND STREET	LINCOLNSHIRE, IL 60069
.XXX ± .010	FRACTIONAL ± 1/64	TITLE LIGHT BULB NO. 30/24V-B15D	
DRAWN ROSE MEDINA	DATE 05/23/2018	SIZE A	FSCM NO. DWG NO. 30/24V-B15D REV 1
CHECKED	DESIGN	SCALE	PLOT SCALE SHEET 1 OF 1
MATERIAL	FILE 30-24V-B15D .pdf	DRAWING NOT TO SCALE	