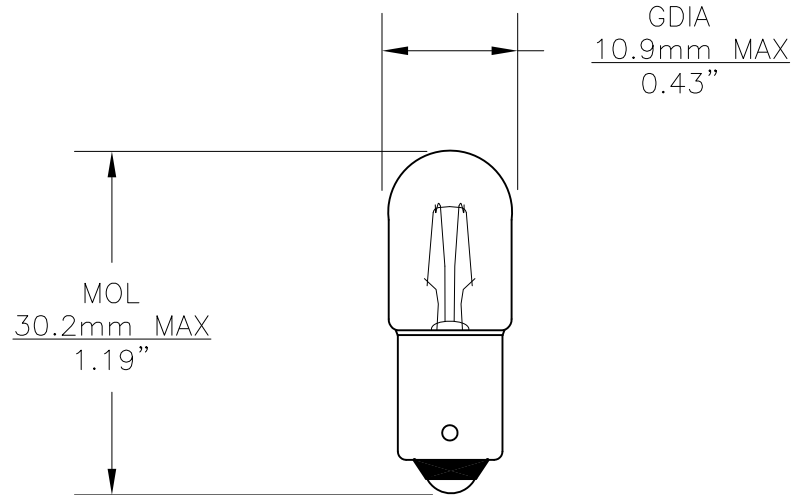


PART NO.	BASE TYPE	DESIGN VOLTS	DESIGN WATTS	FILAMENT TYPE
30V/MB	MINIATURE BAYONET BA9s	30	3.0 ± 20%	C-2F

BRASS BASE

BULB TYPE: T3-1/4

REVISIONS			
REV	DESCRIPTION	DATE	APPROVED
1	ISSUED	08/14/2012	D.C.



UNLESS OTHERWISE SPECIFIED: DIMENSIONS ARE IN INCHES TOLERANCES		CEC INDUSTRIES LTD		
DECIMALS .XX ± .05 .XXX ± .010 FRACTIONAL ± 1/64		599 BOND STREET		LINCOLNSHIRE, IL 60069
DRAWN D.C.		TITLE LIGHT BULB NO. 30V/MB		
DATE 08/14/2012		SIZE A	FSCM NO.	DWG NO. 30V/MB
CHECKED		SCALE	PLOT SCALE	REV 1
DESIGN		SHEET 1 OF 1		
MATERIAL	FILE 30V/MB.dwg	DO NOT SCALE DRAWING		