



Since 1959

PART NO.

3930

BASE TYPE

MINIATURE
BAYONET
(BA9s)

DESIGN
VOLTS

24.0V

DESIGN
AMPS

0.17±20%

MSCD

2.8±20%

FILAMENT
TYPE

C-2F

AVERAGE
LIFE HOURS

2000

REVISIONS

REV #

DESCRIPTION

DATE

APPROVED

1

ISSUED

06/03/2014

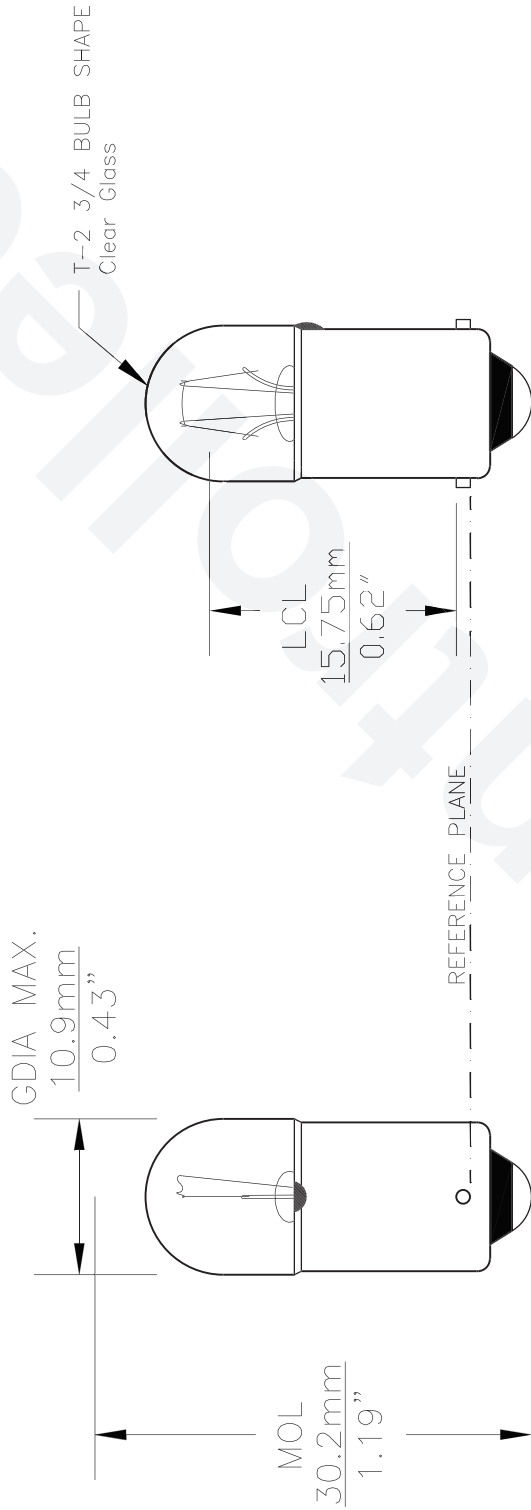
S.L.

2

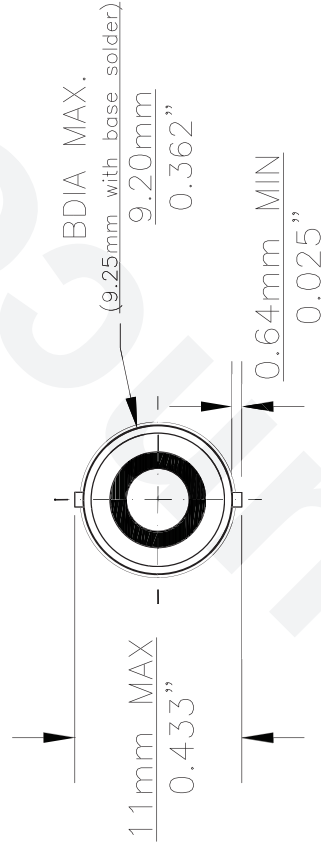
REDRAWN FOR ADDITIONAL VIEWS

09/03/2014

R.M.



0° VIEW



BASE BOTTOM VIEW

90° VIEW



Note: Made according to ECE/R37 specifications

UNLESS OTHERWISE SPECIFIED:
DIMENSIONS ARE IN INCHES
TOLERANCES
DECIMALS
ANGULAR
XXX ± 0.5
XXX ± 0.10
FRACTIONAL
±1/64

DRAWN SIDNEY LIU	DATE 06/03/2014	TITLE LIGHT BULB NO. 3930 (T4W 24V)	CEC INDUSTRIES LTD 599 BRIND STREET LINCOLNSHIRE, IL 60069
CHECKED	SIZE A	FSCM NO.	REV 2
DESIGN	SCALE	PLOT SCALE	SHEET 1 OF 1
MATERIAL	FILE 3930.pdf	DRAWING NOT TO SCALE	