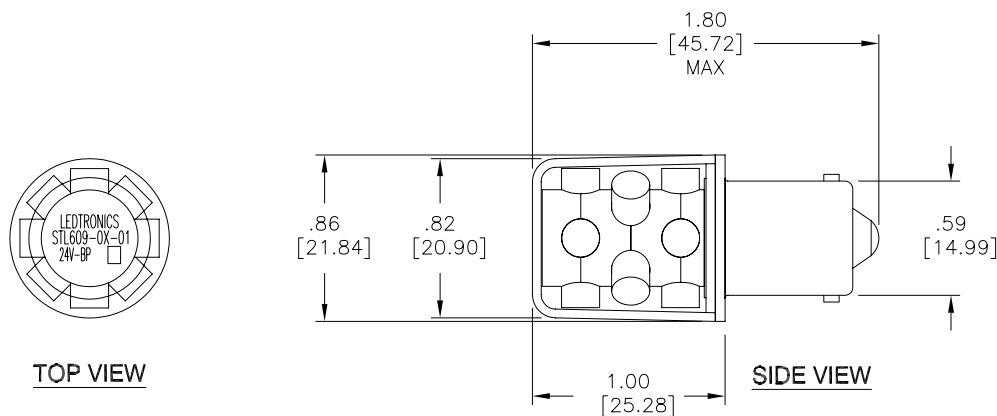


LTR	REVISION	DATE	APPD
-	RELEASED (REF. ECR# 070114-MM01)	07-01-14	



NOTES:

1. LENS MATERIAL: CLEAR, POLYCARBONATE LEXAN 101 (UL94V-2)
2. SLEEVE MATERIAL: CLEAR, POLYCARBONATE LEXAN 141
3. BASE MATERIAL: BRASS
4. ALL DIMENSIONS ARE IN INCHES [MILLIMETERS].



STL609-01-01	ULTRA RED	24V-BP	34	0.816 W	1.475cd	660
STL609-02-01	SUPER ORANGE	24V-BP	34	0.816 W	0.850cd	610
STL609-03-01	AQUA GREEN	24V-BP	25	1.080 W	4.800cd	525
STL609-04-01	SUPER YELLOW	24V-BP	34	0.816 W	1.400cd	595
STL609-05-01	SUPER BLUE	24V-BP	25	0.600 W	1.525cd	470
STL609-06-01	COOL WHITE	24V-BP	26.5	0.600 W	1.920cd	8000K
LEDTRONICS PART NO.	COLOR EMITTED	INPUT VOLTAGE, V	CURRENT (mA)	POWER (W)	MAXIMUM CANDELA	λP nm

ELECTRICAL CHARACTERISTICS

REVISION NOTIFICATION	
<input type="checkbox"/>	DLC
<input type="checkbox"/>	UL/ETL
<input type="checkbox"/>	MADE IN USA
<input type="checkbox"/>	CUSTOMER _____
<input type="checkbox"/>	OTHER

LED[®]
LEDTRONICS,™ INC.
 23105 KASHIWA COURT
 TORRANCE, CA 90505

-PROPRIETARY-
 This document contains Proprietary information of LEDTRONICS, INC. It may not be copied, used or disclosed for any purpose without the prior express written consent of LEDTRONICS, INC.

.XX ± .010 TOLERANCE PER ANSI-Y14.5
 .XX ± .025 (UNLESS OTHERWISE STATED)
 ANGLES ± 0°,30'
 FRACT. ± 1/32

TITLE		STL609-0X-01 StackLED [®]	
DWG NO	SCALE	SHEET	DATE
STL60901-CUST	1:1	1 OF 1	07-01-14
CODE IDENT NO.	DWG BY	CHK BY	QA RD
8Z410	MM 07-01-14		07-02-14
			MFG LD
			07-02-14
			R&D BJ
			07-02-14