

# BIAx (TT5) LINEAR HO T5

# 1 or 2x55W, 50W 1 or 2x54W or 2x39W

Programmed Start

Programmed Start (Series) Universal Voltage 120V-277V or 347V, High Frequency Electronic ballast for one or two (1 or 2) Biax (TT5) 55W, 50W, or Linear HO T5 54W or two (2) 39W GE, Philips, or Osram Fluorescent lamps.

## Technical Specification:

UL Listed, CUL Certified, ROHS Compliant  
EMI FCC Parts 18, Subparts C, Class A  
Rating: Type 1 Outdoor, HL  
Sound Rating: Class A  
Min. Starting Temp : - 30° C  
Max. Case Temp: 90° C  
End of Lamp Life Protection Circuit

Surge Protection: Meets ANSI C62.41  
Thermal Protection: CLASS P  
Lamp Current Crest Factor: < 1.6  
Remote Mounting Distance: 21 ft  
Power Factor: 0.99  
Input Frequency: 50/60HZ  
THD: < 10% 1-lamp 277V, 347V < 15~20%

**Case Size: Series MU**

Due to continuing efforts to offer improved products all specifications are subject to change without prior notice

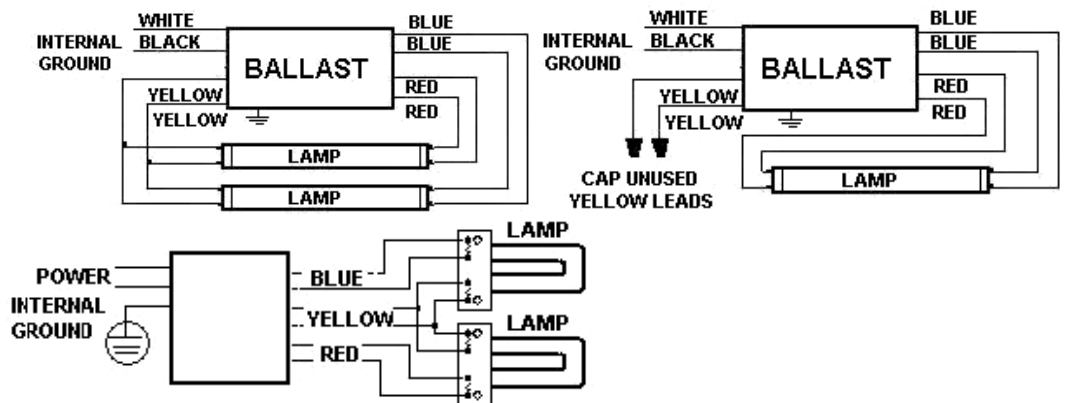
12/06/10

NO. OF LAMPS	INPUT VOLTAGE	LAMP WATTS	INPUT WATTS AVERAGE	MAX INPUT CURRENT (A)	BALLAST FACTOR	MODEL
2	120V	54/55/50/39	115/110/110/85	0.970/0.90/0.93/0.71	1.0/0.93/1.04 /1.0	<b>SXU255T5-ROHS</b>
2	277V	54/55/50/39	115/110/110/85	0.43/0.40/0.40/0.32	1.0/0.93/1.08 /1.04	“
2	347V	54/55/50/39	115/114/110/87	0.34/0.33/0.33/0.25	1.0/0.93/1.08 /1.04	<b>SXC255T5-ROHS</b>
1	120V	54/55/50	60/56/58	0.50/0.46/0.48	1.01/0.93/1.06	<b>SXU255T5-ROHS</b>
1	277V	54/55/50	62/59/59	0.23/0.21/0.21	1.02/0.95/1.10	“
1	347V	54/55/50	62/58/58	0.19/0.17/0.17	1.02/0.95/1.10	<b>SXC255T5-ROHS</b>

### LIMITED WARRANTY

5 YEAR at maximum case temperature 75 deg C. 3 YEAR at maximum case temperature 90 deg C. Manufacturer warrants to the purchaser: Electronic Ballast will be free from defects in material or workmanship from the date of manufacture conditioned upon proper storage, installation, use, and maintenance and conformance with any recommendations of Manufacturer

Lead Length		
Colour	inch	cm
Black	18.8	48
White	18.8	48
Blue	30.9	78.5
Red	30.9	78.5
Yellow	46.4	118



**WARNING: Always Disconnect Power Before Handling.**  
Case Should be Grounded. Install in Accordance with National and Local Electrical Codes.

Series MU, MS L W H ML  
Case Size: 241mm 43.8mm 29.5mm 226mm  
9.5inch 1.72inch 1.16inch 8.9inch

1500 Marine Drive, #200 North Vancouver, BC V7P 1T7  
TEL: 604-904-9533 FAX: 604-904-9634  
EMAIL: sagelighting@shaw.ca www.sagelighting.com

*Sage  
Lighting Ltd.*