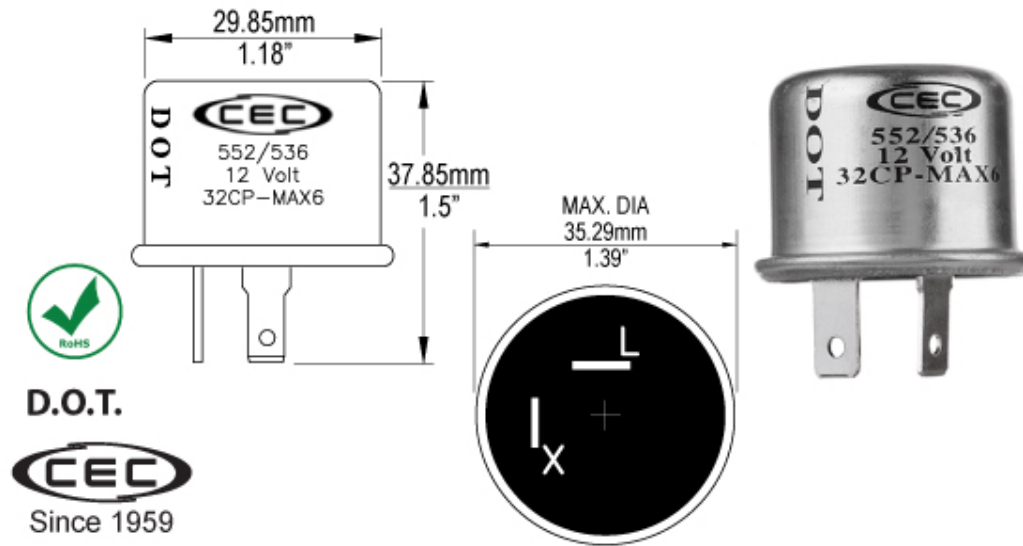


TF552/536



D.O.T.



Since 1959

Part #	TF552/536				
Description	12V 12A 2PIN THERMAL FLASHER				
Type	Thermal Flasher				
Typical Load	SAE No. 1156 2.10A at 12.8 Volts 2 to 6 Lamps SAE No. 1895 0.27A at 14 Volts 1 to 6 Lamps In Any Combination				
Specifications	FMVSS108, SAE J590b & J945				
Terminals	2	Rated Load Range	0.27 Amps to 14 Amps	Flash Rate	60 to 120 Flash Per Minute
Style	Round Aluminum	Rated Voltage	11 to 15 Volts D.C.	Lamps Turn	2 to 3
Pilot Circuit	No	Wattage	100W	Life Hours	40 Hours
Drawing Details	TF552-536.pdf			New Announcement	